

# The Zen Fan

## Installation Instructions



ZENFAN-ZB



For your safety

### ⚠️ DANGER

#### HAZARD OF ELECTRIC SHOCK, EXPLOSION OR ARC FLASH

- This product must only be installed by appropriately qualified and/or licensed electrical personnel.
- Isolate the electrical supply before doing any work on this product.
- Ensure that the product has been correctly installed and tested for safe operation before reconnecting the electrical supply.

**Failure to follow these instructions will result in death or serious injury.**

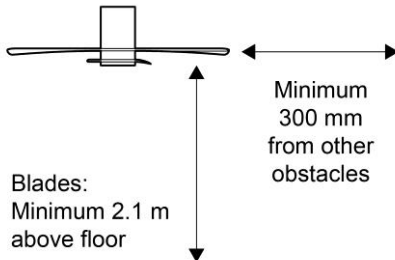
### ⚠️ CAUTION

#### IMPORTANT INSTALLATION SAFEGUARDS

- Means for disconnection must be incorporated in the fixed wiring in accordance with the wiring rules.
- The mounting bracket must be fixed to a solid structure, such as a ceiling joist, and this must be capable of supporting a weight of 30kg.
- The fan should be mounted so that the blades are at least 2.1m above the floor, and 300mm from the tip of the blade to the nearest object or walls. (Figure 1).
- Replacement of parts of the safety suspension system device shall be performed by the manufacturer, its service agent or suitably qualified persons.

**Failure to follow these instructions can result in injury, equipment damage or unnecessary vibration and noise.**

FIGURE 1.



### ⚠️ CAUTION

#### IMPORTANT CLEANING SAFEGUARDS

- Isolate the electrical supply before doing any cleaning of this product.
- Periodic cleaning of your ceiling fan is the only maintenance required.
- Use a soft brush or lint free cloth to avoid scratching the paint finish.
- Do not use water when cleaning your ceiling fan as it could damage the motor or blades and create the possibility of an electric shock.
- The motor has a permanently lubricated ball-bearing so there is no need to oil.

**Failure to follow these instructions can result in injury or equipment damage.**

### ⚠️ CAUTION

#### EQUIPMENT OPERATION HAZARDS

- If unusual oscillating movement is observed, immediately stop using the ceiling fan and contact the manufacturer, its service agent or suitably qualified persons.
- This appliance is not intended for use by persons (including children) with reduced physical, sensory or mental capabilities, or lack of experience and knowledge, unless they have been given supervision or instruction concerning use of the appliance by a person responsible for their safety.
- Children should be supervised so that they do not play with the appliance.

**Failure to follow these instructions can result in injury or equipment damage.**

## Installing the Zen Fan

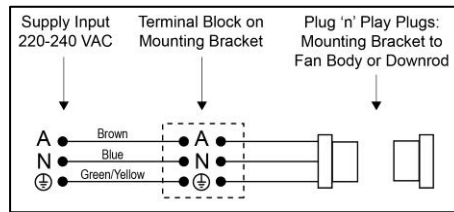
### STEP 1: PRE-INSTALL CHECK

Prior to installation, carefully identify the parts

1. Circular Mounting Bracket x1
2. Screws for Mounting Bracket x4
3. Cylindrical fan body x1
4. Screws for fan body x2
5. Blades x4
6. Blade screws x9
7. Bottom body cover x1
8. RF Remote x1

### STEP 2: WIRING TO THE BRACKET TERMINALS

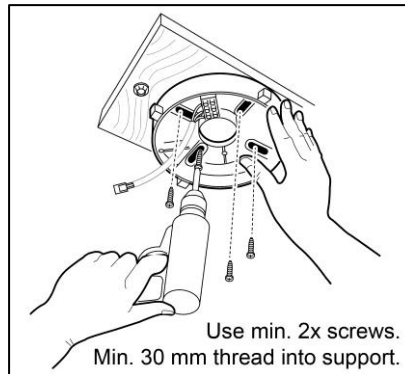
Follow the Electrical Wiring Diagram below:



### STEP 3: INSTALLING THE MOUNTING BRACKET

- Secure the Mounting Bracket to ceiling joist or structure with at least two of the four long screws provided (Figure 2).
- Ensure at least 30 mm of each screw is threaded into the ceiling joist or structure.
- The bracket screws provided are for use with wooden structures only. For structures other than wood the appropriate screw type must be used.

FIGURE 2.



### STEP 4: CONNECTING THE FAN BODY

- Anchor the steel wire to the canopy hook, then connect the plug and play wiring plugs (Figure 3).
- Align the grooves on the fan body with the grooves in the canopy, push the body up and twist to lock into place (Figures 4-1 and 4-2).
- Screw in x2 outer fan body screws (Figure 4-3.)

FIGURE 3.

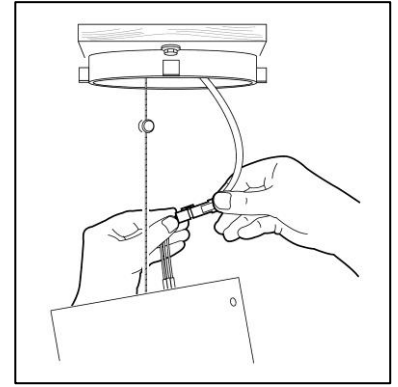
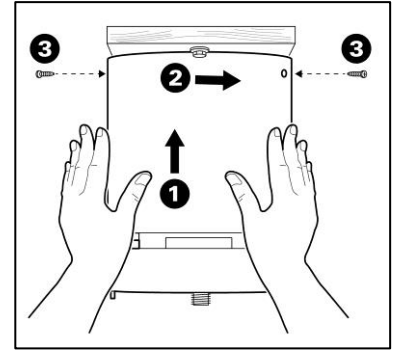


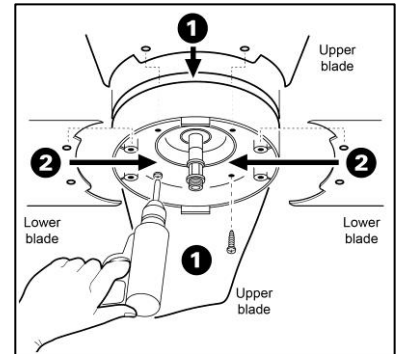
FIGURE 4.



### STEP 5: CONNECTING THE BLADES

- Start with the two upper blades. Slide blades into position and align the screw holes. Screw into place from underneath with the screws provided (Figure 5-1).
- Follow the same process for the two lower blades (Figure 5-2).

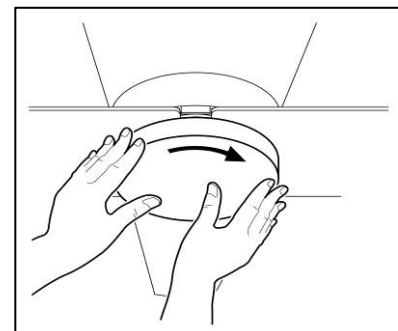
FIGURE 5.



### STEP 6: FINISHING THE INSTALLATION

- Once the four blades are connected, twist the bottom body cover to the bottom of the fan until tight (Figure 6).
- The RF Remote will connect automatically.
- If you want to manually connect the remote to a different frequency, change the switch settings located inside the battery cover of the remote to match the switches inside the remote receiver in the fan.

FIGURE 6.



## Installing the Zen Fan with Downrod - ZENDR900-ZB (if applicable)

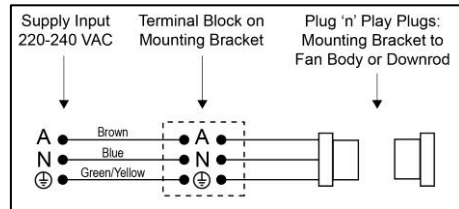
### STEP 1: PRE-INSTALL CHECK

Prior to installation, carefully identify the parts:

1. Mounting Bracket x1
2. Screws for Mounting Bracket x2
3. Top cowling x1
4. Screws for top cowling x2
5. Downrod x1
6. Downrod tube x1
7. Downrod screws/nuts/washers x2

### STEP 2: WIRING TO THE BRACKET TERMINALS

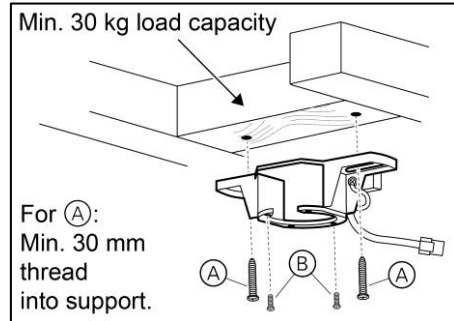
See Electrical Wiring Diagram below:



### STEP 3: INSTALLING THE MOUNTING BRACKET

- Secure the Mounting Bracket to ceiling joist or structure with the two long screws provided (Figure 7-A).
- Ensure at least 30mm of the screws is threaded into the support.
- The bracket screws provided are for use with wooden structures only. For structures other than wood the appropriate screw type must be used.
- Install 2x upper cowling screws half-way into the mounting bracket (Figure 7-B).

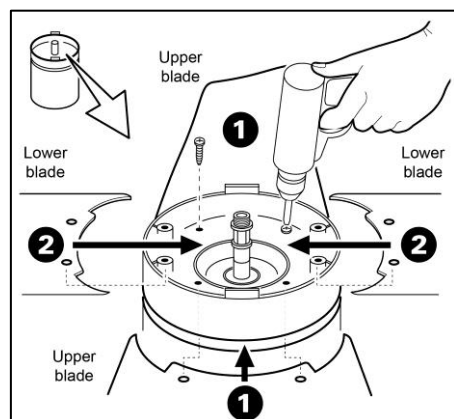
FIGURE 7.



### STEP 4: CONNECTING THE BLADES

- Position the fan body on a secure surface with the lower part facing up.
- Start with the two upper blades. Slide blades into position and align the screw holes. Screw into place with the screws provided (Figure 8-1).
- Follow the same process for the two lower blades (Figure 8-2).

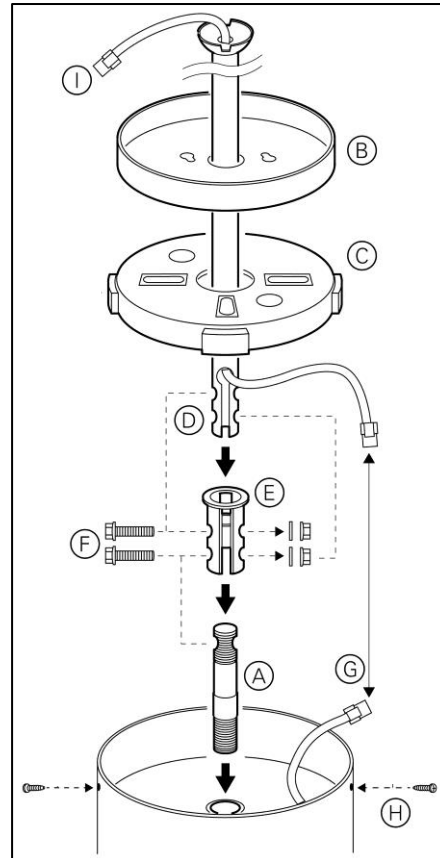
FIGURE 8.



### STEP 5: CONNECTING THE DOWNROD

- Slide the top cowling (Figure 9-B) and standard cowling (Figure 9-C) onto the Downrod (Figure 9-D).
- Slide the Downrod tube (Figure 9-E) onto the Downrod, ensuring that both sets of holes are aligned.
- Lower the Downrod onto the stem until the stem holes and Downrod lower holes are aligned.
- Fix the assembly using the two bolts (Figure 9-F), nuts and washers included.
- Connect the fan body / Downrod wiring plugs (Figure 9-G).
- The Zen Fan standard cowling (Figure 9-C) will fit loosely over the fan body.
- Screw in x2 outer fan body screws (Figure 9-H).

FIGURE 9.



### STEP 6: FINISHING THE INSTALLATION

- Lift the fan assembly onto the mounting bracket and connect the Downrod / Mounting Bracket wiring plugs (Figure 9I).
- Lift the top cowling into place so that the cowling screw heads are exposed, then twist the cowling to lock in position and tighten the screws (Figure 10.).
- Twist the bottom body cover to the bottom of the fan until tight (Figure 11).

FIGURE 10.

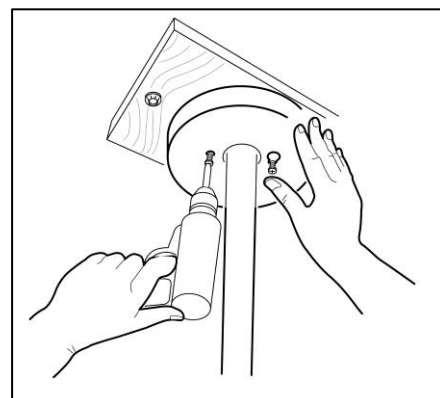
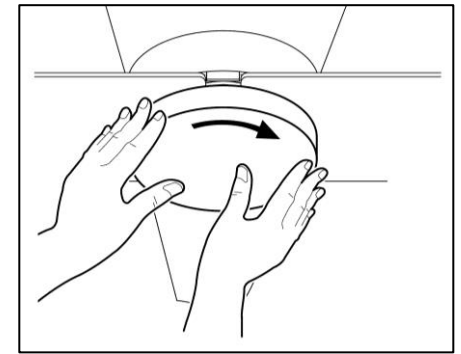


FIGURE 11.



### Using the Remote



### Warranty

#### Warranty information (Australia)

We warrant this product for 3 years—visit <https://www.schneider-electric.com.au/en/about-us/legal/terms-and-conditions.jsp> for details.

Our goods also come with guarantees that cannot be excluded under the Australian Consumer Law. You are entitled to a replacement or refund for a major failure and compensation for any other reasonably foreseeable loss or damage. You are also entitled to have the goods repaired or replaced if the goods fail to be of acceptable quality and the failure does not amount to a major failure.

#### Schneider Electric (Australia) Pty Ltd

Customer Care: 1300 369 233

Email: [customer-care.au@schneider-electric.com](mailto:customer-care.au@schneider-electric.com)

[www.schneider-electric.com.au](http://www.schneider-electric.com.au)

Schneider Electric reserves the right to change specifications, modify designs and discontinue items without incurring obligation and whilst every effort is made to ensure that descriptions, specifications and other information in this catalogue are correct, no warranty is given in respect thereof and the company shall not be liable for any error therein.

© Schneider Electric 2018

This material is copyright under Australian, New Zealand and international laws. Except as permitted under the relevant law, no part of this work may be reproduced by any process without prior written permission of and acknowledgement to Schneider Electric.

(PHA7630501 Rev.00)