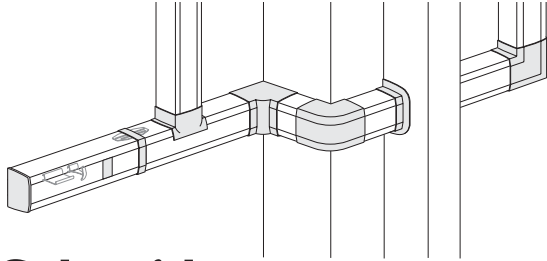


OptiLine 50

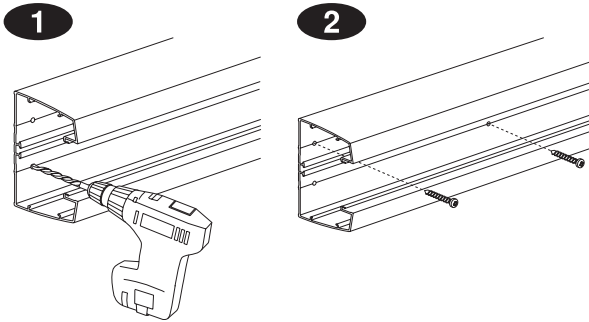


Plastic trunking – Kunststoff-Installationskanal – Goulotte en plastique – Canale in plastica – 80 & 100

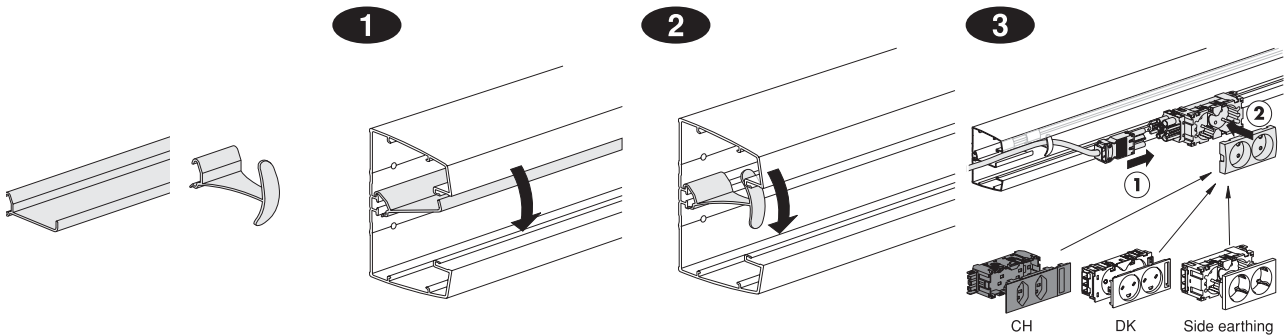
INS12100
INS12150
INS12200
INS12250



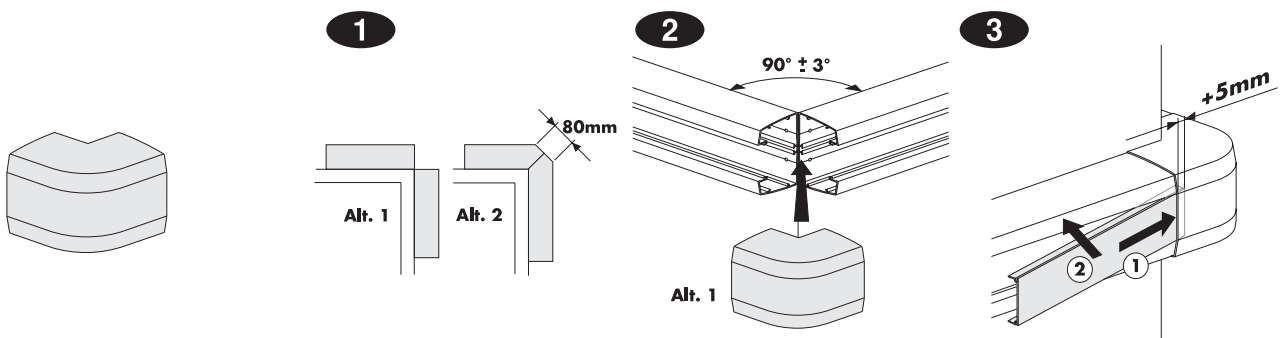
Installation – Montage – Montage – Montaggio



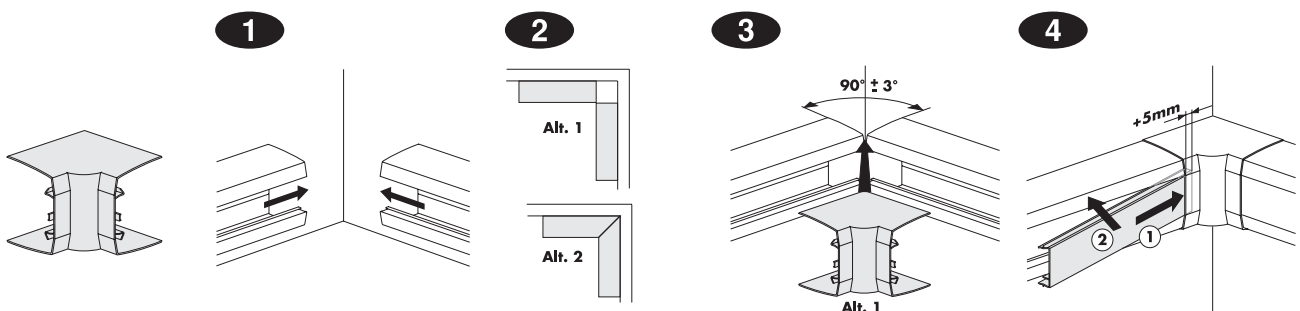
Installation of cable shelf/cable retainer – Installation Trennschiene – Installation cloison de séparation – Installazione separatore cavi



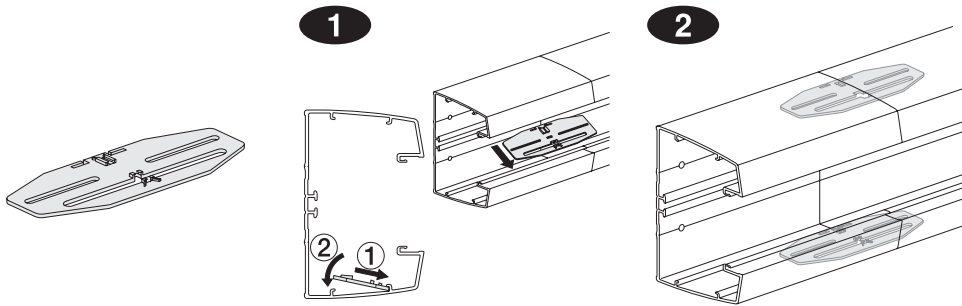
Installation of external corner – Installation Außeneck – Installation angle extérieur – Installazione angolo esterno



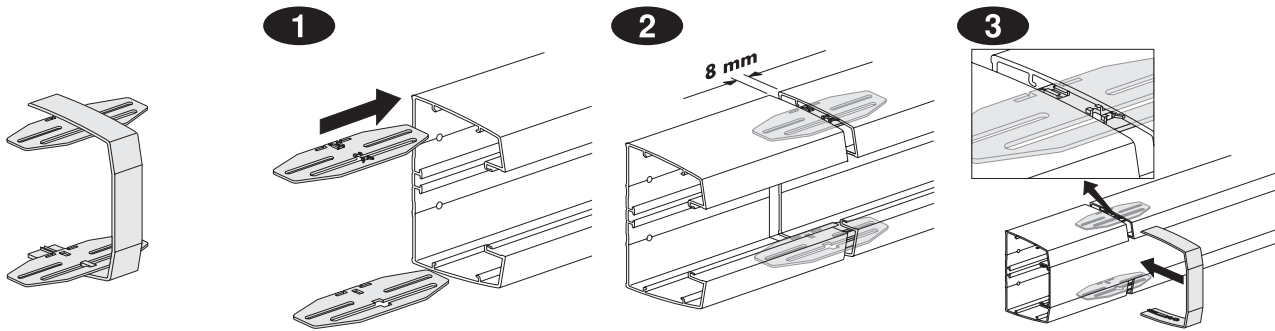
Installation of internal corner – Installation Inneneck – Installation angle intérieur – Installazione angolo interno



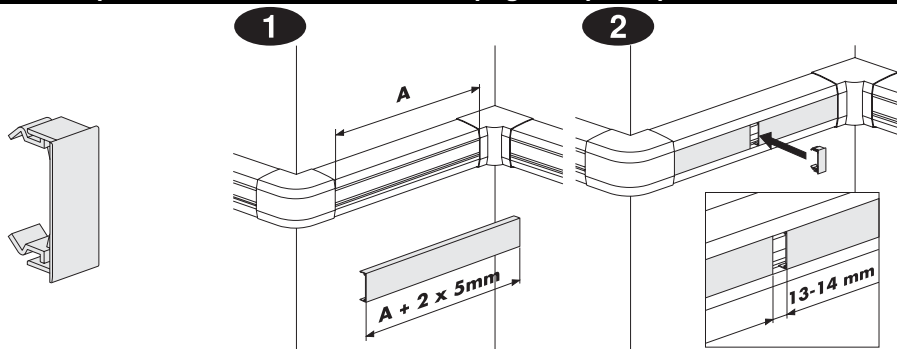
Installation of jointing piece – Installation Profilverbinder – Installation raccordement – Installazione giunzione



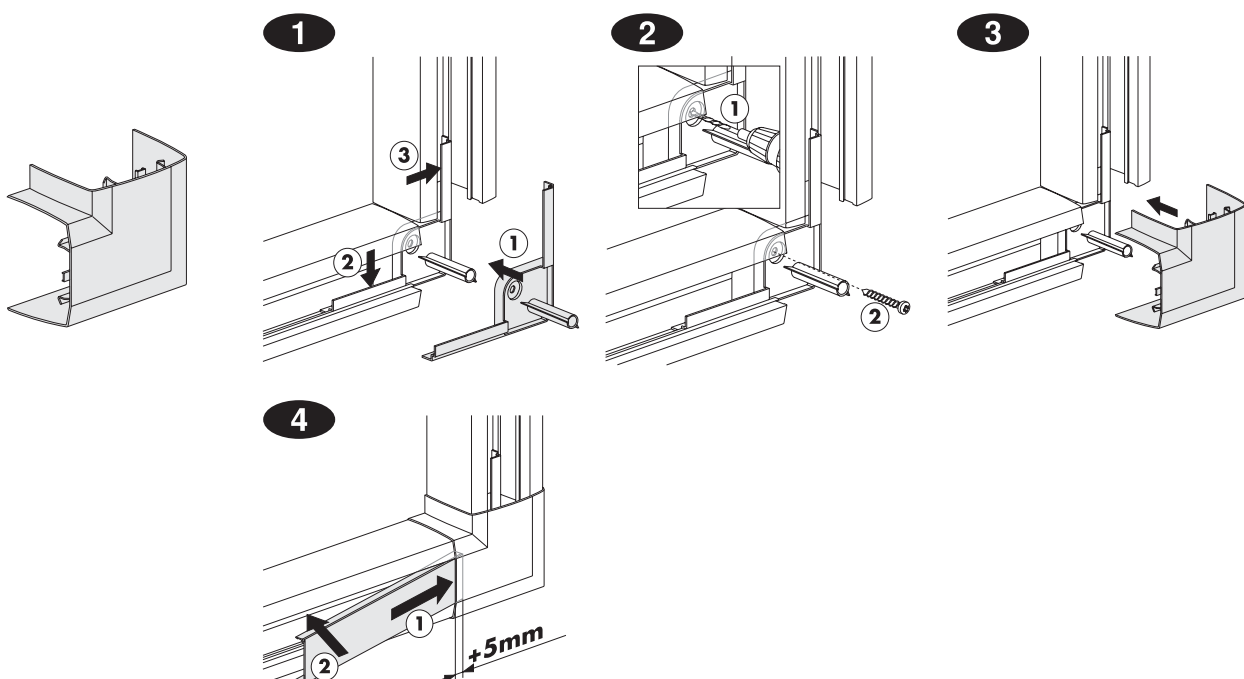
Installation of joint cover-piece kit – Installation Ausgleichstück (Kit) – Installation cache joint de fond – Installazione coprigiunto



Installation of joint cover piece for front cover – Installation Ausgleichstück für Frontabdeckung – Installation cache joint de fond pour couvercle – Installazione coprigiunto per coperchio

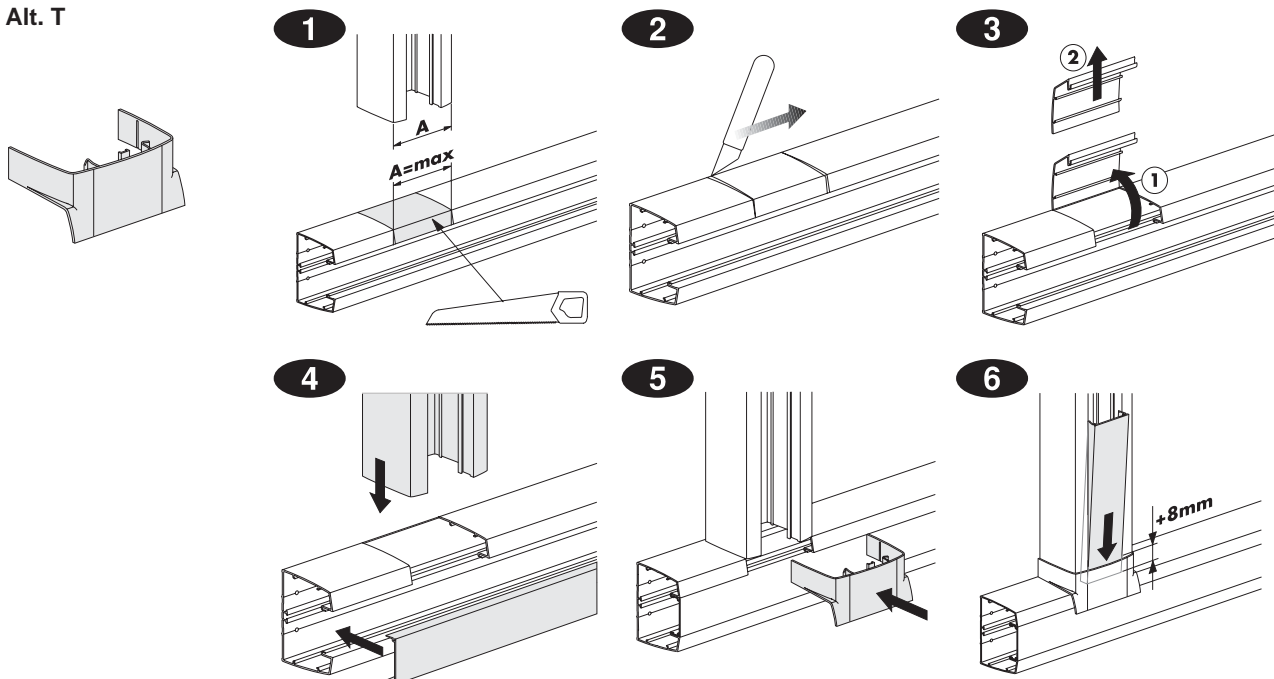


Installation of bend kit, 90° – Installation Flachwinkel – Installation angle 90° – Installazione angolo 90°

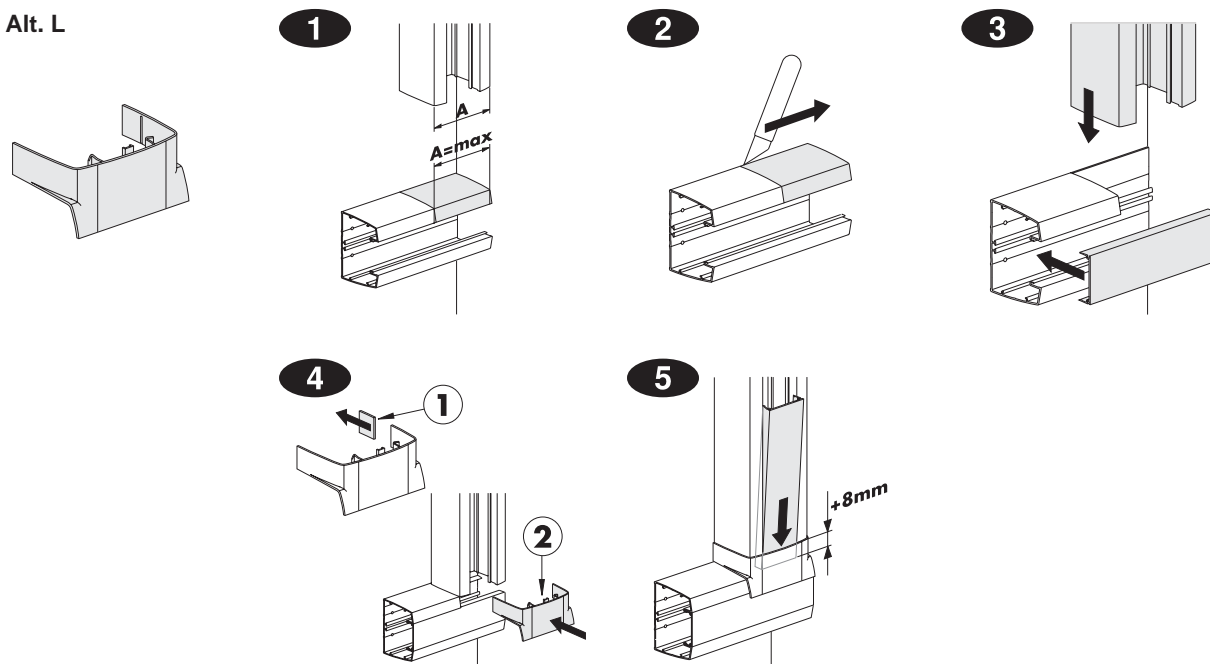


Installation of T/L-piece – Installation T/L-Stück – Installation raccordement en T/L – Installazione raccordo a T/L

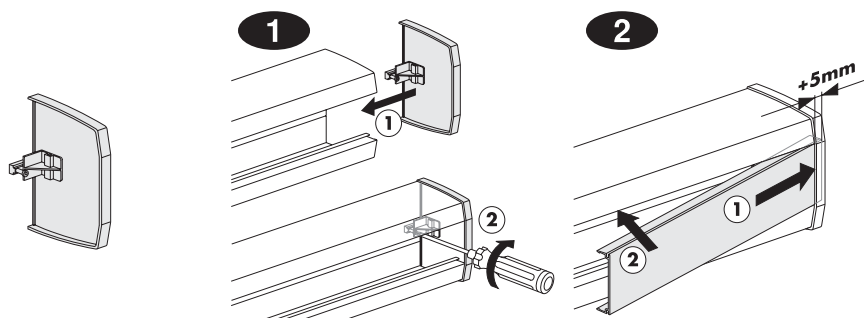
Alt. T



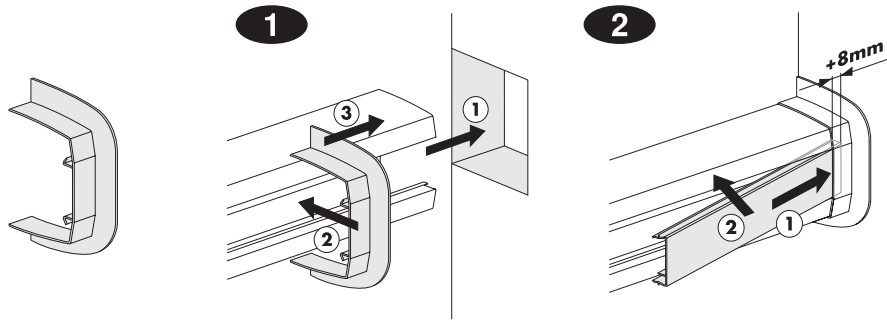
Alt. L



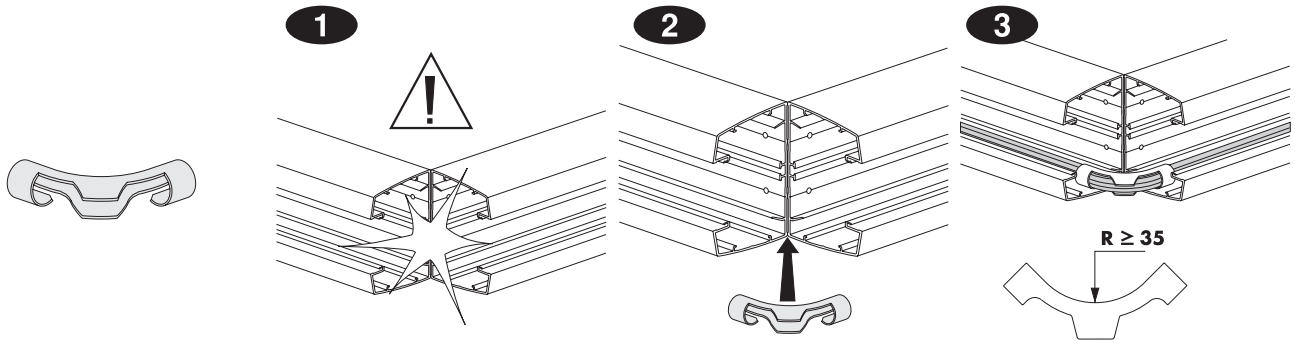
Installation of stop end – Installation Endstück – Installation embout – Installazione terminale di chiusura



Installation of wall/ceiling frame – Installation Wandrahmen – Installation cache parois – Installazione cornice per parete



Installation of cable bending protection – Installation Kabelknickschutz – Installation limitation de pliage – Installazione limitazione piega



Dismounting – Demontage – Demontage – Smontaggio

