

Making apartment building entrances secure at night-time and weekends



Customer's needs

The householders' association wants to be able to control access to the building in order to increase householders' security and peace of mind.

Recommendation

A time switch connected to the door interphone can be programmed on a weekly basis to authorise use of the electric door lock during pre-set periods.
The building occupants must use their keys outside these periods.



Customer benefits

- Automation provides better security.
- Programming is simple

Product advantages

- Simplicity of installation and programming with captive segments.
- Channel switching status (On, Off).
- Immediate reading of output contact position.
- Optional manual starting and stopping, independent of programming.
- 200 h power backup in the event of a mains failure.
- Override function on the front face.
- Sealable swivel cover.
- Screwless terminals for easy and fast connection.

> Zoom on

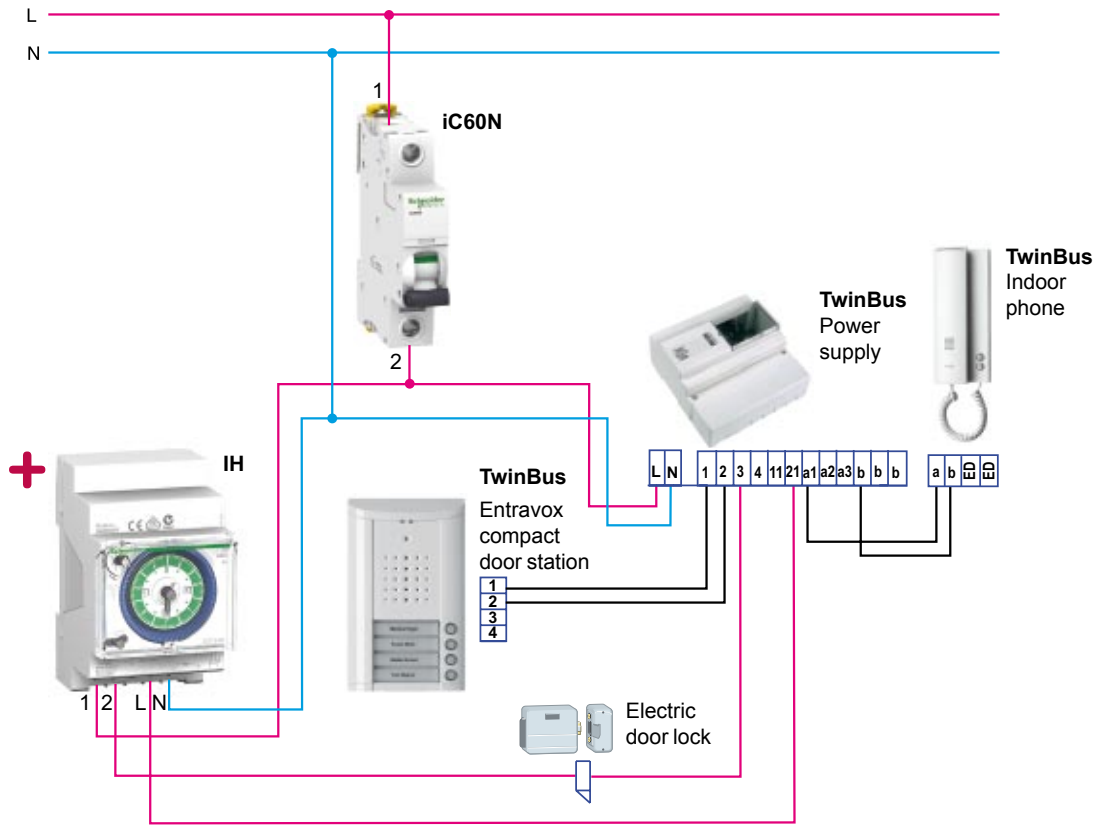
IH

Efficiency at your fingertips!



IH 7j 1c ARM

Solution diagram



- During the week the 7-day programmable IH time switch authorises the electric door lock to operate automatically during the day.
- In the evening and all day at the weekends it stops it from being used. A key is therefore necessary to get into the building.

> Products used

Product	Description	Unit	Reference
IH 7j 1cARM	Mechanical time switch	1	CCT15367
TwinBus	TwinBus Entravox compact door station	1	RTY 18403 2001
TwinBus	TwinBus power suply unit	1	RTY 17573 0101
TwinBus	TwinBus indoor telephone	1	RTY 17630 70001
iC60N	MCB 1 pole	1	