

Control office lighting locally

“Lighting Control: IHP+ 2C – SMART”



Customer case

The facility manager wants to optimize his operating cost minimizing lighting energy in the offices

Benefits

- Easy modification of time switch program for special events and vacation.
- Easy copying of the program from one time switch to another with the memory key.
- Possibility of temporary or continuous override operation with standard switch or push-button installed away from the panelboard.
- Automatic summer/winter time change.

Our recommendation

Use IHP+ 2C – SMART and impulse relay iTL to control office lighting locally by push-buttons and centrally by a programmable time switch.

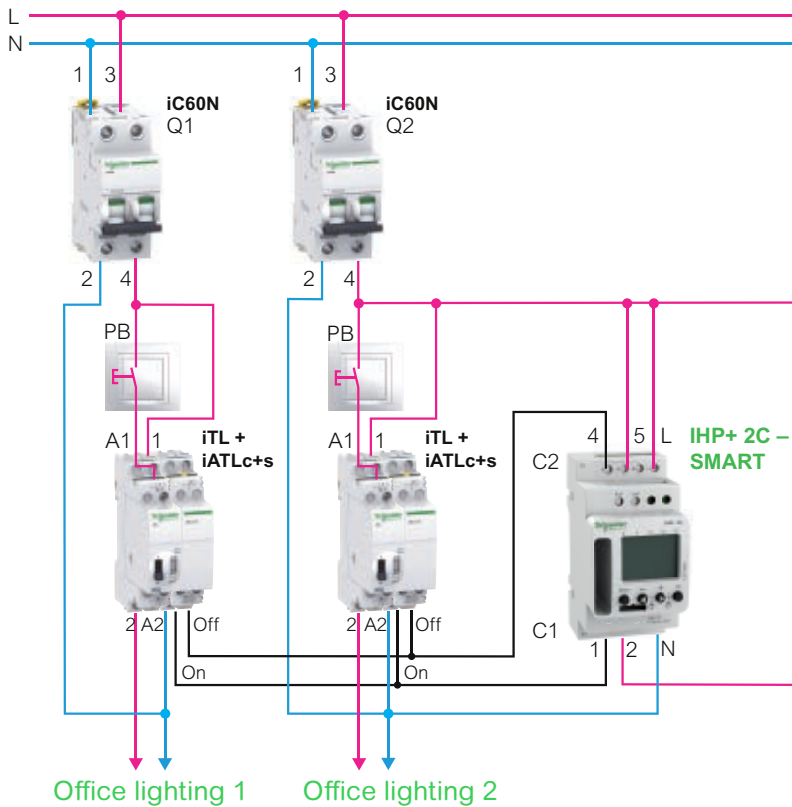
se.com

Life Is On

Schneider
Electric

Solution

Diagram



Specifications

Control the lighting of the building:

- By a centralized order transmitted by an impulse type programmable time switch to the centralized control and signaling impulse relay auxiliary. The programmable time switch functions provide the benefit of centralized:
 - Time programming.
 - Manual override operation.
- Locally by means of push-buttons and benefit from the impulse relay functions:
 - Disconnection of remote control by selector switch for maintenance operation (auto/Off).
 - Manual controls on front face: direct and priority manual control by O-I toggle.

Products used

Product	Function	Quantity	Reference
Acti9 IHP+ 2C – SMART	Programmable time switch, 2 channels (C1&C2)	1	CCT15553
Acti9 iC60N 2P	MCB Q1, Q2	2	Depend on rating
Acti9 iTL	Impulse relay	2	A9C30811
Acti9 iATLc+s	Centralized control + signaling	2	A9C15409

More about
IHP+ 2C - SMART



Scan or click on
QR code

se.com

Life Is On

Schneider
Electric

Schneider Electric Industries SAS
35, rue Joseph Monier - CS 30323
F92506 Rueil-Malmaison Cedex

Document Number ISC01574EN ©2019 Schneider Electric. All Rights Reserved.
Life Is On Schneider Electric is a trademark and the property of Schneider Electric SE, its subsidiaries and affiliated companies