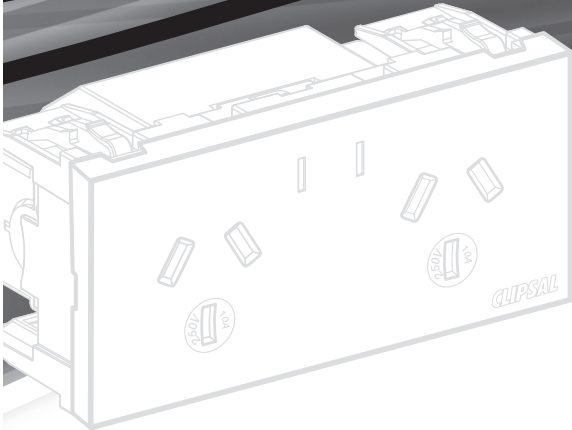


CLIPSAL®

by Schneider Electric

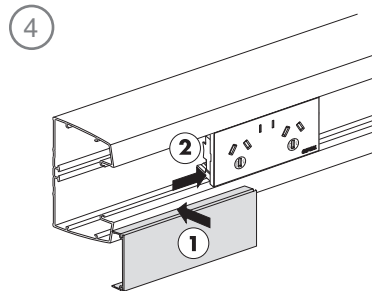
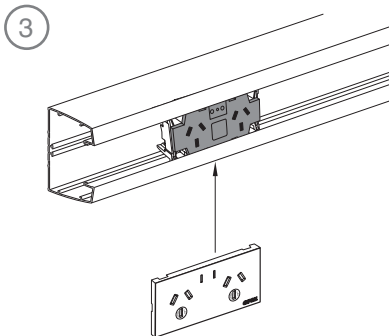
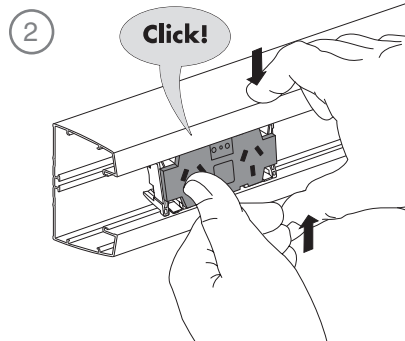
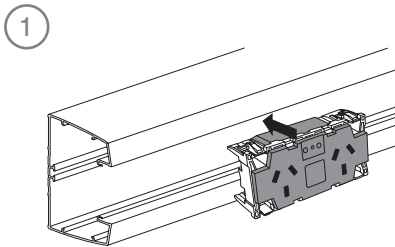


Socket Outlet OptiLine 50



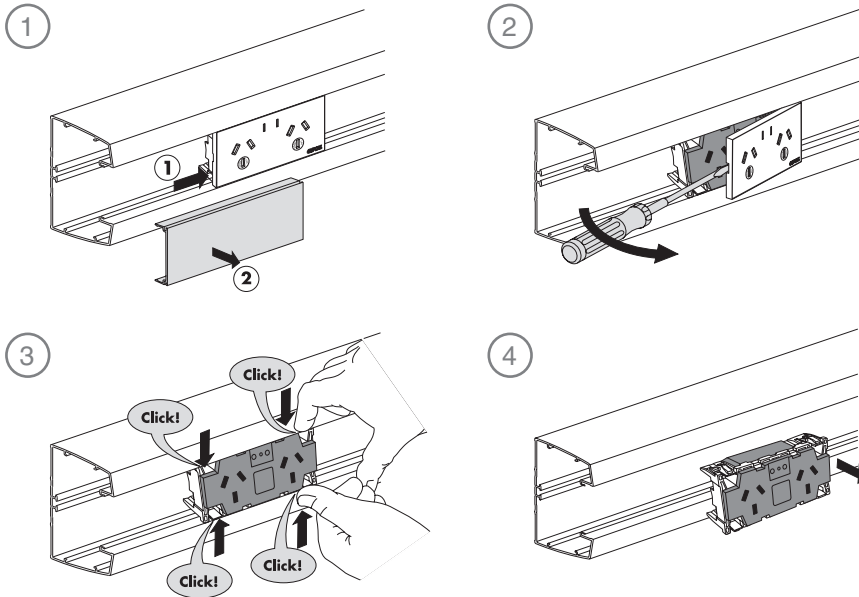
Installation Instructions

Installation

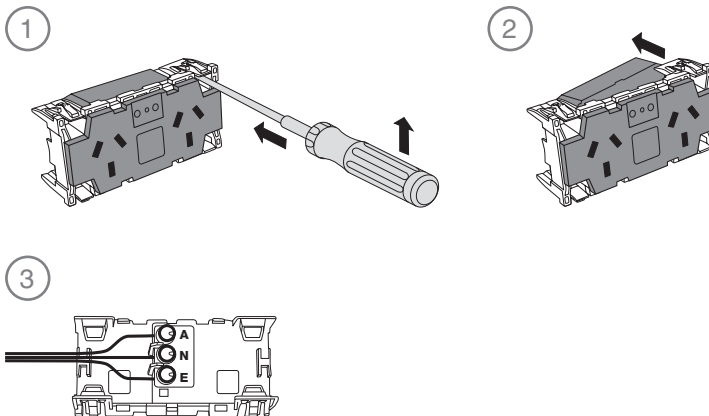


DECN: DECN201412564
NUMBER: EAV9798500
Revision: 00

Dismounting



Wiring



Schneider Electric (Australia) Pty Ltd

Contact us: clipsal.com/feedback

National Customer Care Enquiries:

Tel 1300 2025 25

Fax 1300 2025 56

clipsal.com

Schneider Electric (Australia) Pty Ltd reserves the right to change specifications, modify designs and discontinue items without incurring obligation and whilst every effort is made to ensure that descriptions, specifications and other information in this catalogue are correct, no warranty is given in respect thereof and the company shall not be liable for any error therein.

© 2014 Schneider Electric. All Rights Reserved.
Trademarks are owned by Schneider Electric Industries SAS or its affiliated companies.