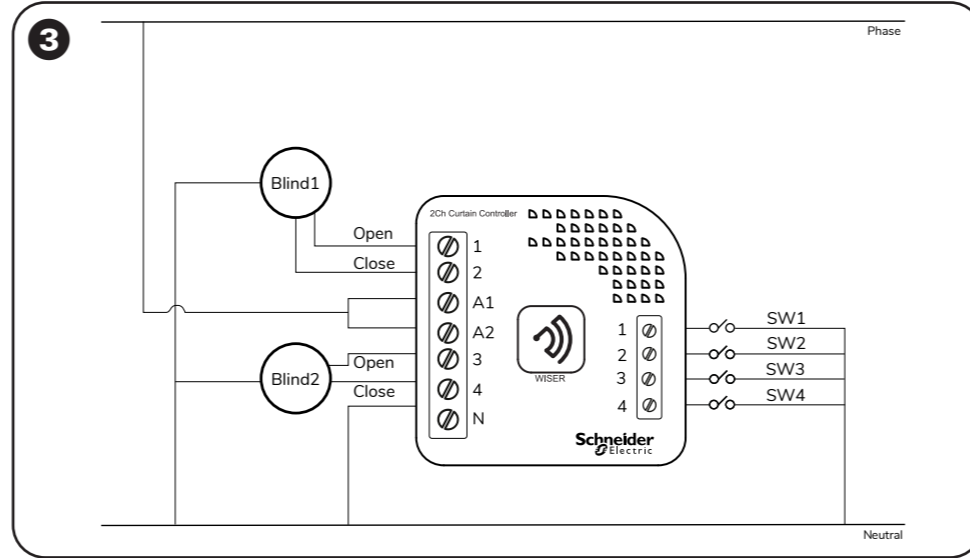
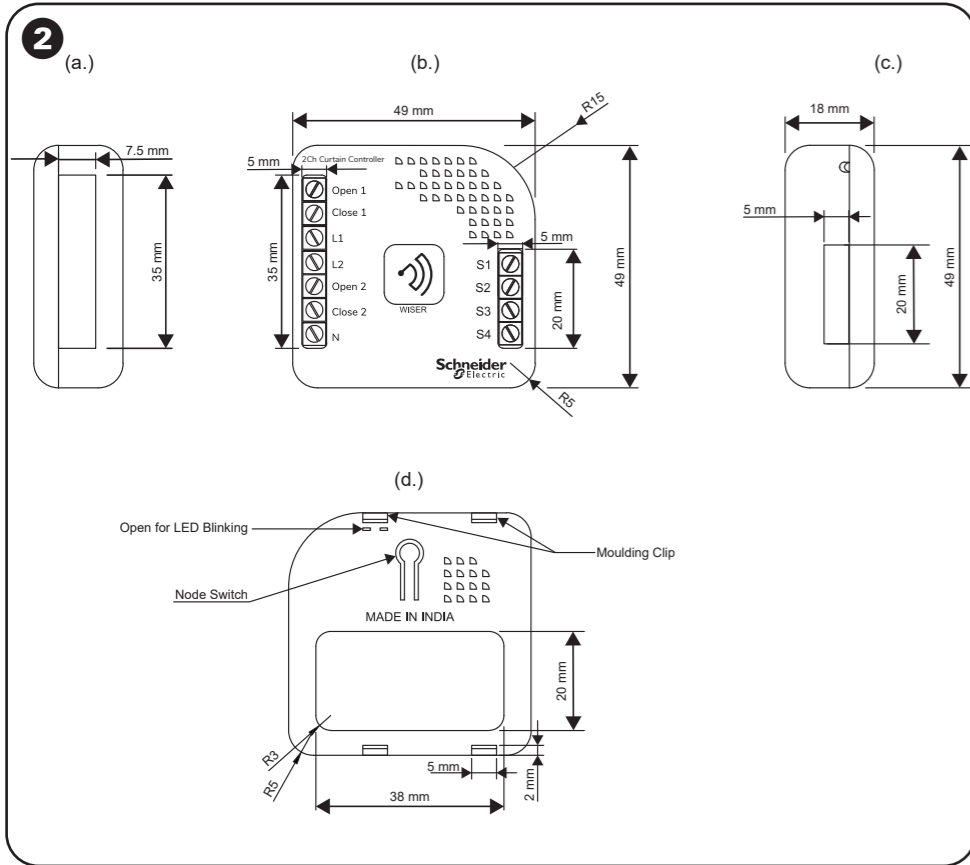
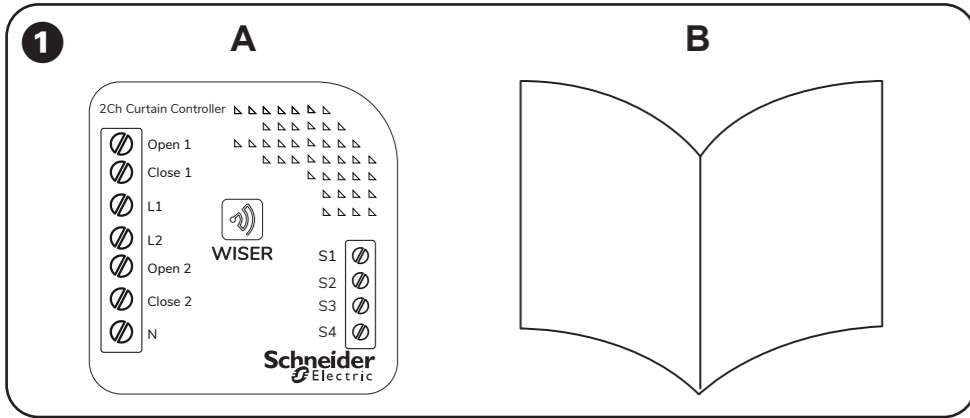


IH11000200



en Wisier Curtain Controller

About this product

Dual curtain controller designed to control 2 blinds. It works with motorized roller blinds, IH11000200 is powered by a single-phase AC and provides precise positioning of blinds, so they can be set to the position you choose.

1 Package contents

- A Curtain Controller
- B Installation Guide

2 Dimensions

- (1) Left Side View
- (2) Front View
- (3) Right Side View
- (4) Back View

3 Wiring diagram and electrical connections

HAZARD OF ELECTRIC SHOCK, EXPLOSION, OR ARC FLASH

- Turn off the power supply before installation or servicing the device.
- Ensure that the product has been correctly installed and tested for safe operation before reconnecting the electrical supply.

Failure to follow these instructions will result in death or serious injury.

Installing the product

HAZARD OF ELECTRIC SHOCK, EXPLOSION, OR ARC FLASH

- Turn off the power supply before installation or servicing the device.
- Remove the switch board cover frame and the switch frame to access the switches.
- Select the loads to be connected on particular terminals.
- If multiple loads are connected to a single terminal, use appropriate connectors to avoid short circuit.
- Use only minimum 1 mm² wires and maximum 1.5 mm² wires for connections.
- This device requires a neutral lead to operate. The below wiring diagrams explain the possible combinations that are available.

Failure to follow these instructions will result in death or serious injury.

NOTICE

EQUIPMENT DAMAGE

- Wear standard personal protection equipment to give protection to the installer.
- Position the antenna far away from metal elements to avoid interference. Do not cut or shorten the antenna, as its length is matched to the band in which the system operates.
- Do not overtighten the terminal block. It can cause serious malfunctions after installations.

Failure to follow these instructions can result in equipment damage.

Devices controlled using Curtain controller

- Curtains
- Blinds

Activating the Device

1. Installing the device.

- Make sure that the power supply mains is turned off.
- Connect the device in accordance with the wiring diagram.
- Connect the Phase, Neutral, and the Loads on open, close.
- Use only Bell switches for S1, S2, S3, and S4.
- Complete all the connections and check the pairing before sealing the electrical box.

2. Managing the device through Z-Wave network.

- Place the micro module within 3 meters line of sight, as adding mode requires direct communication with the controller.

NOTE: Move the module near to the primary controller during this step.

- Press the pairing button (at the back of the module), to start pairing to the gateway
Go To app >> Device >> Add or "+" device >> Choose Schneider >> 4 channel Relay >> Once hear the beep Click on Yes.
- Press the pairing Button once you get the trigger device on app

3. Resetting the device.

For resetting the micro module, press and hold the reset switch behind the module for 5-10 seconds and remove the device from the gateway.

NOTE: Any motor controlled with remote will not be compatible with curtain controller module.

LED Indications	
LED Indication	Status
Red blinking	Excluded
Green blinking	Included/Paired
Red and Green appear	In Pairing mode

4. Controlling by toggle switches.

S1, S2, S3, and S4 are controlled by toggle switches.

Setting the selected switch to ON position activates the load and vice-versa. If an external controller turns off the load and the switch is ON, turning off the switch has no effect on the load.

5. Parameters.

Parameter 01	Curtain 1 Open Timer	
Range	4 Byte dec 1000 to 360000	Value duration 10 Sec to 1 Hour
Default	6000-60Sec	
Description	This parameter is designed to open the curtain for a specific amount of time.	

Parameter 02	Curtain 1 Close Timer	
Range	4 Byte dec 1000 to 360000	Value duration 10 Sec to 1 Hour
Default	6000-60Sec	
Description	This parameter is designed to close the curtain for a specific amount of time.	

Parameter 03	Curtain 2 Open Timer	
Range	4 Byte dec 1000 to 360000	Value duration 10 Sec to 1 Hour
Default	6000-60Sec	
Description	This parameter is designed to open the curtain for a specific amount of time.	

Parameter 04	Curtain 2 Close Timer	
Range	4 Byte dec 1000 to 360000	Value duration 10 Sec to 1 Hour
Default	6000-60Sec	
Description	This parameter is designed to close the curtain for a specific amount of time.	

4 - Byte Value	Duration
1500	15 s
3000	30 s
6000	1 min
30000	5 min
180000	30 min
360000	1 hour

NOTE: 1 Sec = 100 ms, 10 Sec = 1000 ms
Minimum Setting can be Done is 10 Sec

Technical data

Power input	240 V AC, 50/60 Hz
Maximum Load/ Channel	100 W inductive load at 250 VAC
Power consumption	< 0.5 W (No load) < 0.9 W load
Operating temperature	-10 to +35 °C
Relative humidity	8 – 80 RH
Dimensions	49mm x 49mm x 18mm
RF frequency	865.22 MHz for IN
Load type	Inductive
Surge protection	2KV
Typical line of sight range	Up to 20 m In open area Indoor** Up to 30 m In open area Outdoor**
Gateway height	3 to 5 ft from the ground
Plastic housing	Fire retardant ABS
IP Rating	IP20
RoHS/ REACH	Components are RoHS and REACH certified
Maximum Fixing Screw Torque	0.4 Nm (3.5 Lb-In)
Terminal Sizes / Number	7 left side and 4 right side
Size & Type of Cable	Copper 1.5mm ²
Motor type	4 wired AC motor (Reverse, forward, neutral, earth)

Recommendations

For connecting multiple loads on a single circuit, ask the electrician to calculate the total load and confirm that it does not exceed the following values:

- max 150 W LED
- max 1000 W Incandescent
- max 200 W Inductive

- Always connect multiple loads to a single circuit via an external terminal block.
- When 2 outputs are muxed and connected to an AC or a geyser, S2 automatically gets disabled. As the muxed channels are increased, respective switches stop functioning to avoid confusion.
- If there are signs of water seeping into the electrical box, turn off the MCB and disconnect the power supply to avoid short circuits.
- Check the space behind the switch for placing the relay.
- Turn off the MCB before the installation of relay module.
- Use 1 mm² lugs for connection to terminals.
- Strictly follow the wiring diagram for connections.
- For any addition or replacement of inoperable switch or electronic device, call Schneider Authorised Installer only.
- The installation/service must be done by only SE trained electricians.
- After the installation of the module, verify that the gap between the switch and the module is more than 3 millimeters.

Warranty

- Standard warranty of 18 months from the date of supply is applicable for all products.
- The manufacturer shall not be liable for damages to the property that is caused by defective device.
- The manufacturer shall not be liable for indirect, incidental, special, consequential or punitive damages, or for any damages, including, inter alia, loss of profits, savings, data, loss of benefits, claims by third parties and any property damage or personal injuries arising from or related to the use of the device.

The warranty shall not cover:

- Mechanical damages caused by impact, falling or dropping the device or their object, unauthorized use or not observing the Operation Manual.
- Damages resulting from external causes, for example: flood, storm, fire, lightning, natural disasters, earthquakes, war, civil disturbance, force majeure, unforeseen accidents, theft, water damage, liquid leakage, battery spill, weather conditions, sunlight, sand, moisture, high or low temperature, and air pollution.
- Damages resulting from surges in the power and/or telecommunication network, improper connection to the grid in a manner inconsistent with the operating manual, or from connecting other devices not recommended by the manufacturer.
- Damages resulting from the use of spurious spare parts or accessories improper for given model, repairing and introducing alterations by unauthorized persons.
- Defects caused by operating inoperable device or accessories.

Customer Care

Schneider Electric India Pvt Ltd.

2nd Floor, Tower A, Bestech Business Tower, Sec 66, Mohali -160 062, Punjab.

Registered Office:

Schneider Electric India Pvt Ltd.

C 56, Mayapuri Industrial area Phase-11, New Delhi-110064. Customer Care Tel: **1800 103 0011**, Email: **customercare.in@se.com**

Website: **www.se.com/in**

Schneider Electric reserves the right to change specifications, modify designs and discontinue items without incurring obligation and whilst every effort is made to help to ensure that descriptions, specifications and other information in this catalogue are correct, no warranty is given in respect thereof and the company shall not be liable for any error therein.

© Schneider Electric 2019

This material is copyright of Schneider Electric. No part of this work may be reproduced by any process without prior written permission of and acknowledgement to Schneider Electric.