



### PLEASE NOTE

- The installation, maintenance and eventual replacement of this device must only be carried out by a qualified electrician.
- This device must not be repaired.
- All applicable local, regional and national regulations must be complied with during the installation, use, maintenance and replacement of this device.
- This device should not be installed if, when unpacking it, you observe that it is damaged.
- Schneider Electric cannot be held responsible in the event of noncompliance with the instructions in this document and in the documents to which it refers.
- The service instruction must be observed throughout the life time of this device.
- The Distribution board is tested and validated to perform in compliance with IEC 61439-1 with only Schneider Electric devices.
- All factory fitted bus-bar sub assembly shall not be removed or opened for any maintenance or repair work.

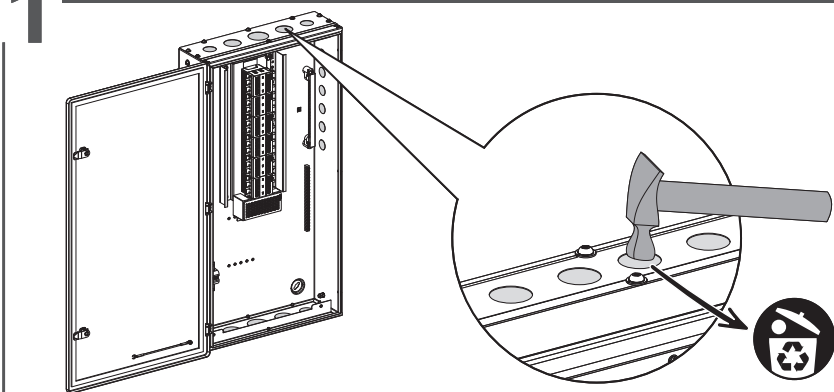
### DANGER

#### HAZARD OF ELECTRIC SHOCK, EXPLOSION OR ARC FLASH

- Turn off all power supplying this device before working on it.
  - Use a voltage tester with a suitable rated voltage in order to check that all active conductors aren't energized.
  - Carefully inspect the work area to check that no tools or objects could have been left inside the equipment.
- Failure to follow these instructions will result in death or serious injury.

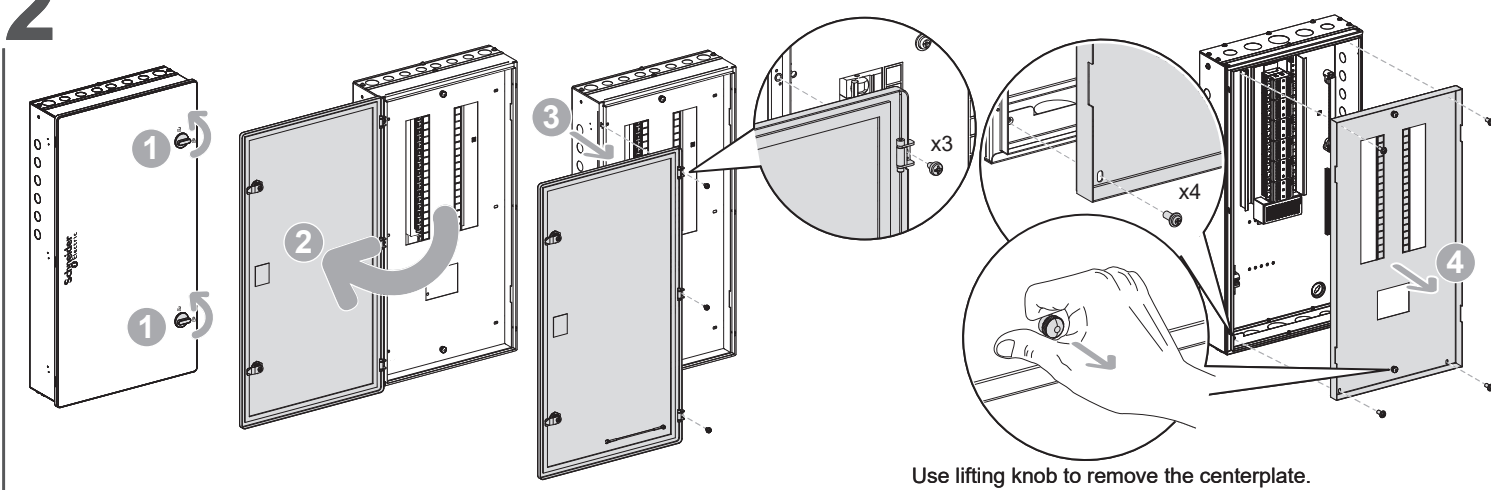


## 1 Provision For Cable Entry



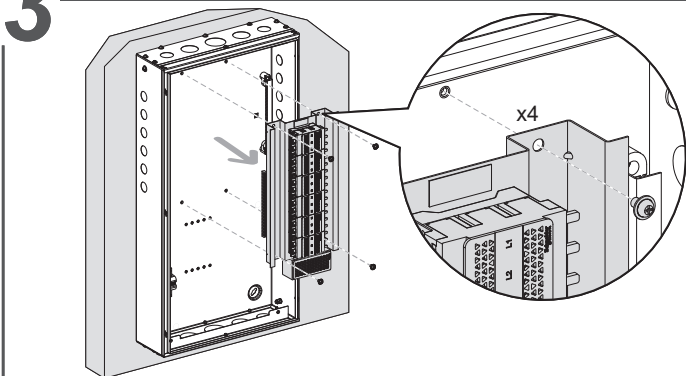
Remove the knockouts from gland plate to pass the cables.

## 2 Remove Door and Centre plate



Use lifting knob to remove the centerplate.

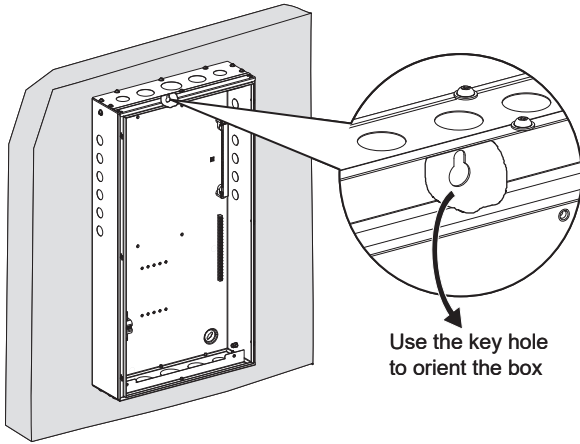
## 3 Remove Fishbone and pan plate assembly



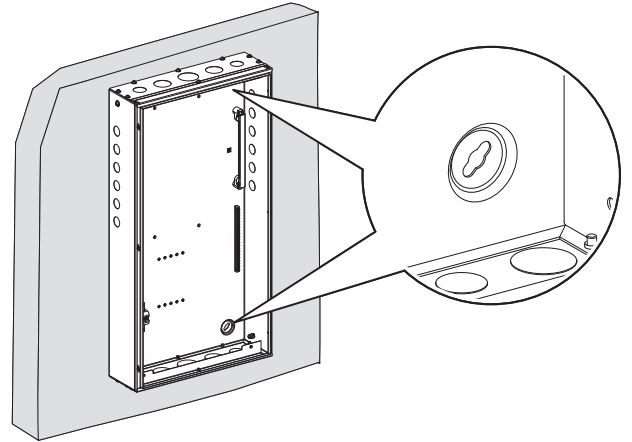
# 4 Mounting Options

## 4.1 Surface mounting

Fix the DB with the help of screws, keeping the keyhole slot as the reference point.

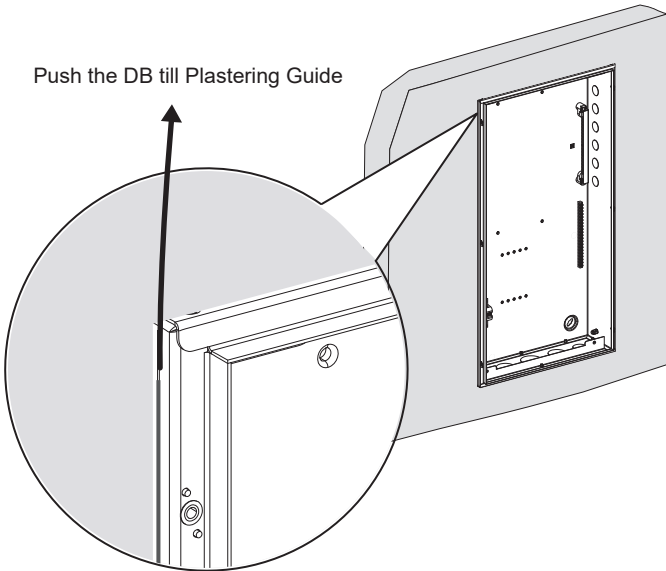


Mount the DB using all the four mounting holes provided.

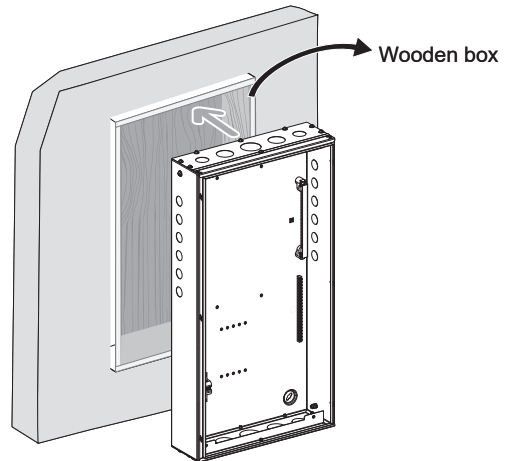


## 4.2 Flush mounting

Push the DB till Plastering Guide

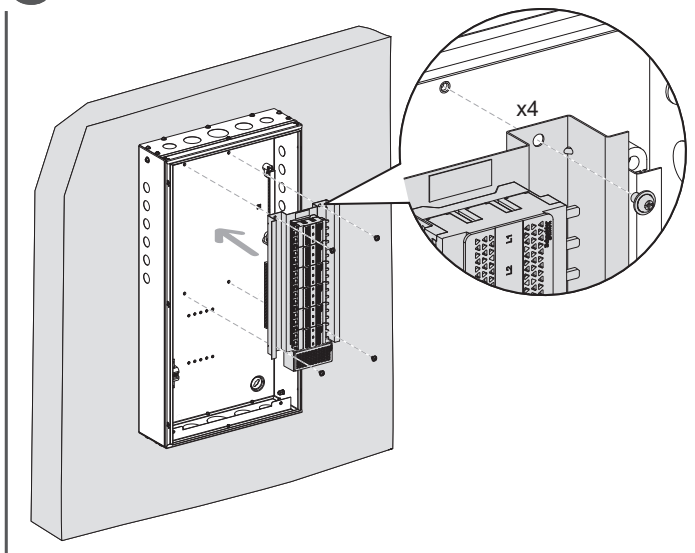


Mount the wooden box to the wall while constructing the wall.

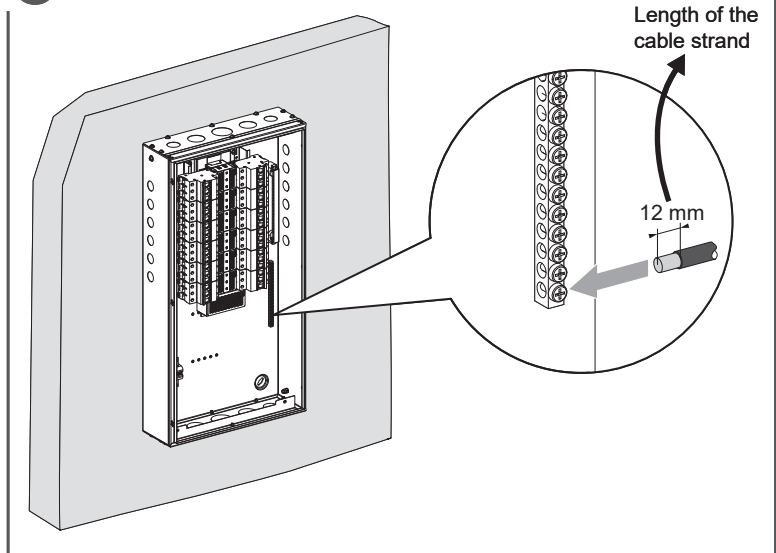


**Note:** Using wooden box is recommended for installing the DB.

# 5 Mounting Fishbone and pan plate assembly

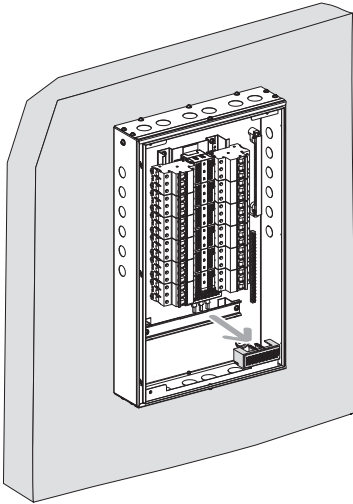


# 6 Wiring

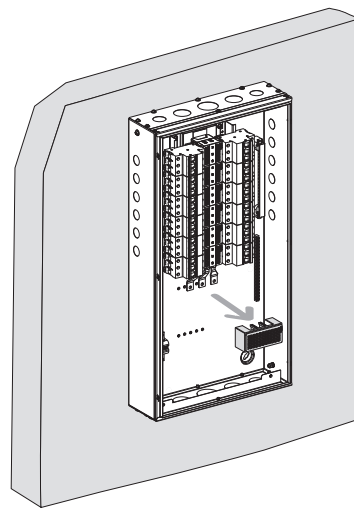


## 7 Remove the Plastic shroud

Modular Incomer (63A)

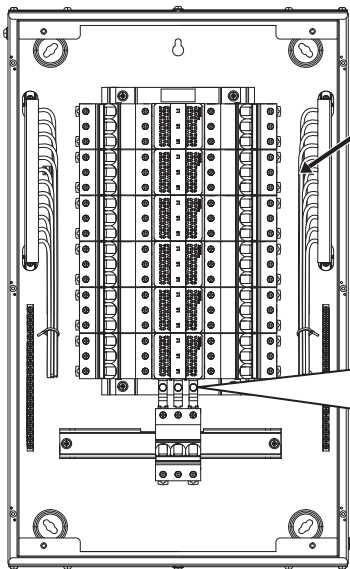


MCCB Incomer (100A / 160A / 250A)

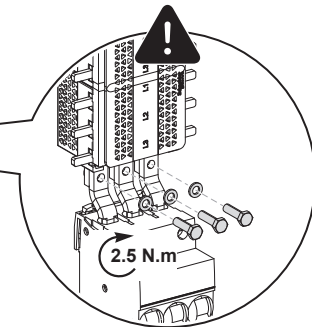


## 8 Recommended routing of wires

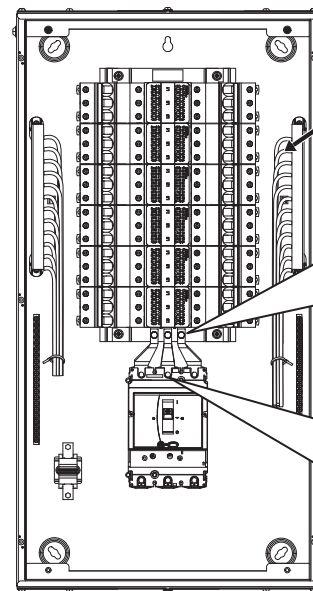
Modular Incomer (63A)



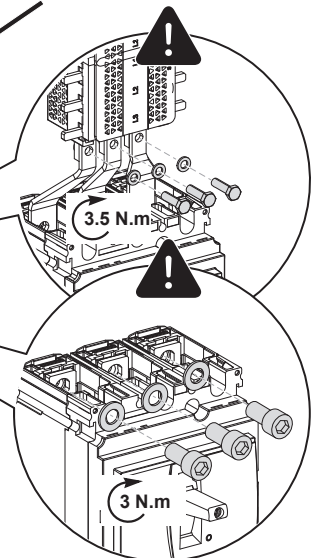
Compile the wires using the cable ties, to route the wires away from area of incoming devices and live terminals.



MCCB Incomer (100A / 160A / 250A)



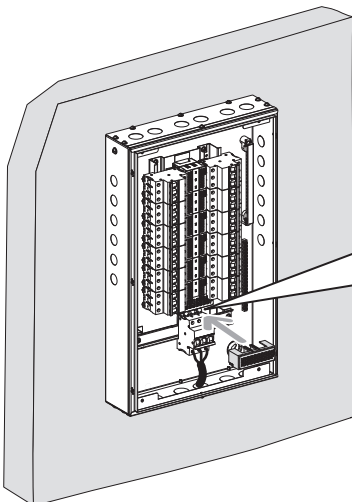
Compile the wires using the cable ties, to route the wires away from area of incoming devices and live terminals.



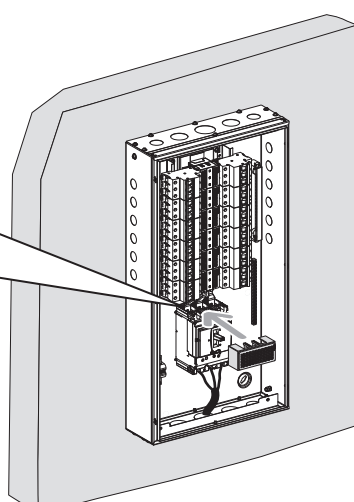
**Note:**  
DB Designed and tested with copper cable & copper lugs.

## 9 Fix the Plastic shroud

Modular Incomer (63A)



MCCB Incomer (100A / 160A / 250A)

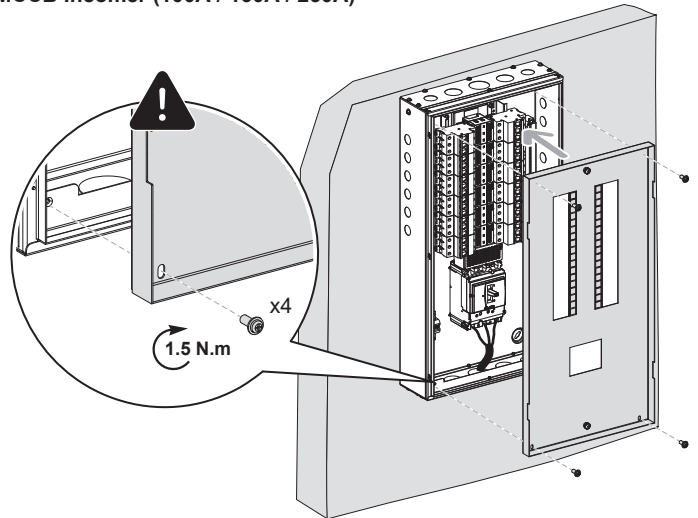
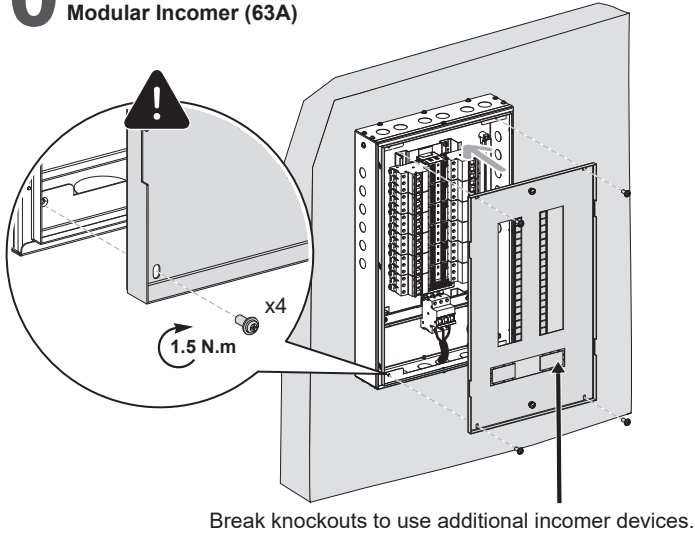


Slide shroud in place between Fishbone and Incomer

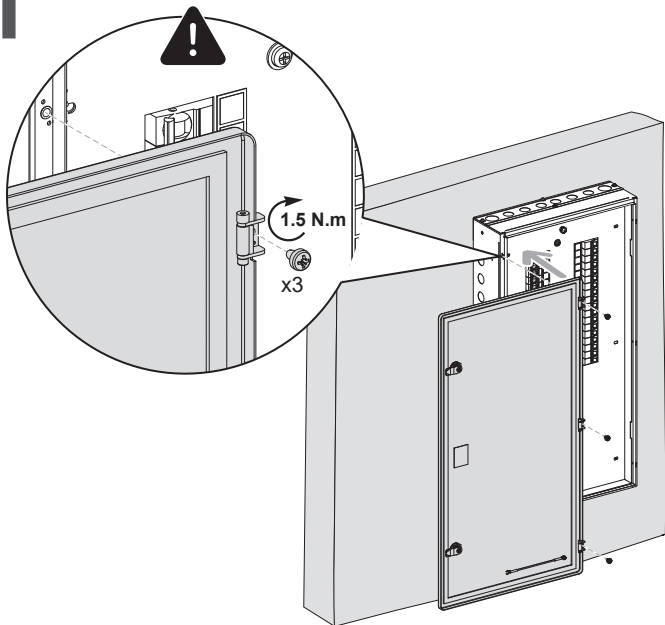
# 10 Assemble the centre plate

Modular Incomer (63A)

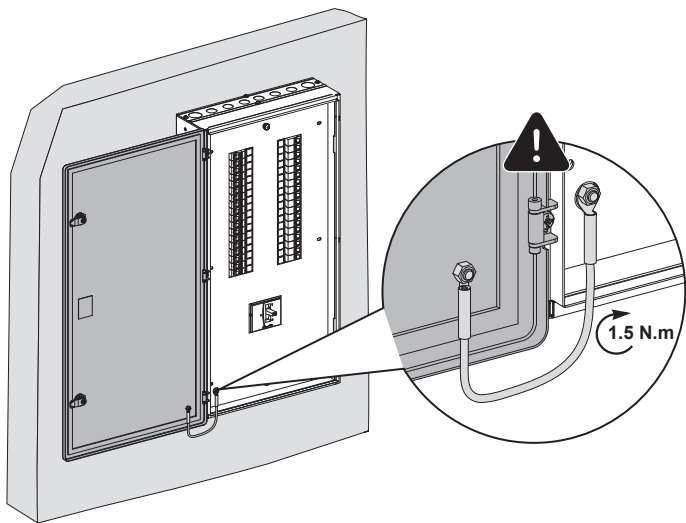
MCCB Incomer (100A / 160A / 250A)



# 11 Assemble the Door

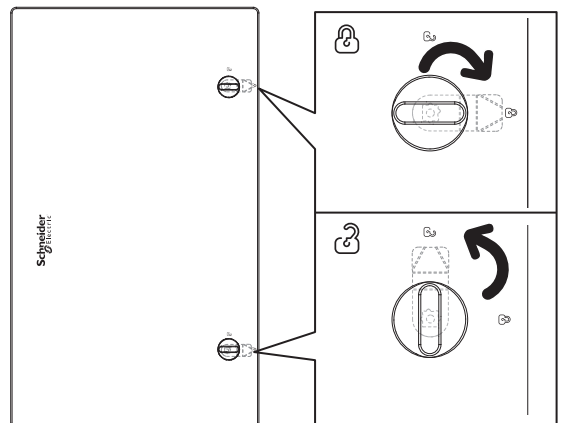


# 12 Use the wire provided on the door for earthing



# 13 Install the knob

Install the knob provided inside the box as per the instruction.



**Note:**  
Refer GDE90407 instruction sheet for knob installation.

**Regd. Office : Schneider Electric India Pvt. Ltd.**

C 56, Mayapuri Industrial area, Phase-II,

New Delhi-110 064.

Customer Care Tel 1800 103 0011

Email: [Customercare.in@se.com](mailto:Customercare.in@se.com)