

PLEASE NOTE

- The installation, maintenance and eventual replacement of this device must only be carried out by a qualified electrician.
- This device must not be repaired.
- All applicable local, regional and national regulations must be complied with during the installation, use, maintenance and replacement of this device.
- This device should not be installed if, when unpacking it, you observe that it is damaged.
- Schneider Electric cannot be held responsible in the event of noncompliance with the instructions in this document and in the documents to which it refers.
- The service instruction must be observed throughout the life time of this device.
- The Distribution board is tested and validated to perform in compliance with IEC61439-1 with only Schneider Electric devices.
- All factory fitted bus-bar sub assembly shall not be removed or opened for any maintenance or repair work.

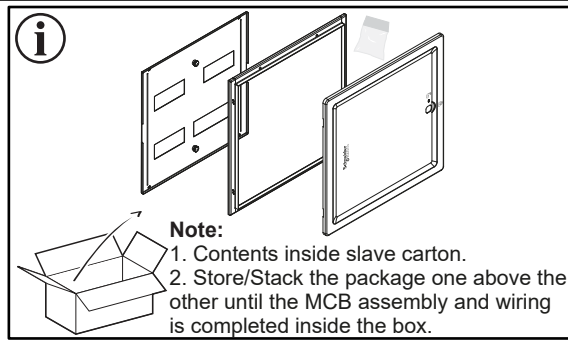
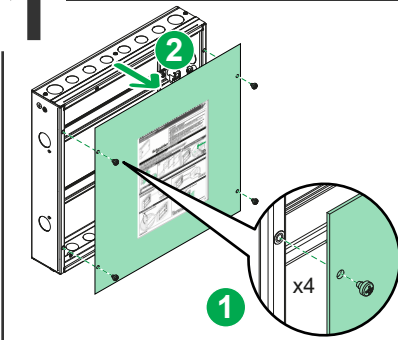
⚠ ⚠ DANGER

HAZARD OF ELECTRIC SHOCK, EXPLOSION OR ARC FLASH

- Turn off all power supplying this device before working on it.
- Use a voltage tester with a suitable rated voltage in order to check that all active conductors aren't energized.
- Carefully inspect the work area to check that no tools or objects could have been left inside the equipment.

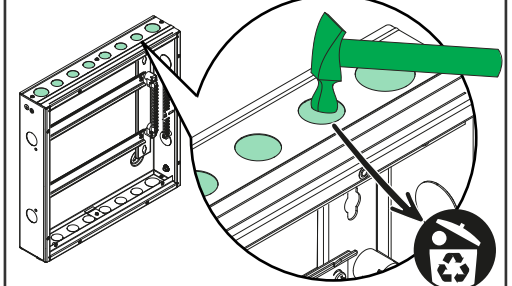
Failure to follow these instructions will result in death or serious injury.

1 Remove CSP sheet



2 Provision For Cable Entry

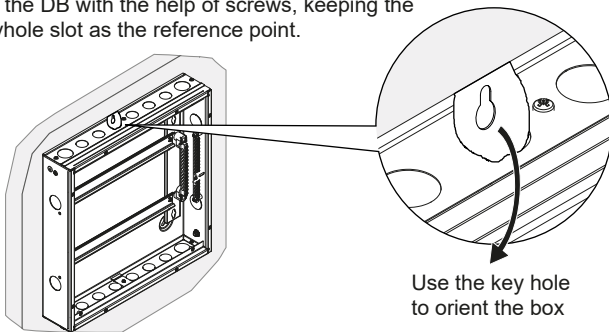
Remove the knockouts from gland plate to pass the cables.



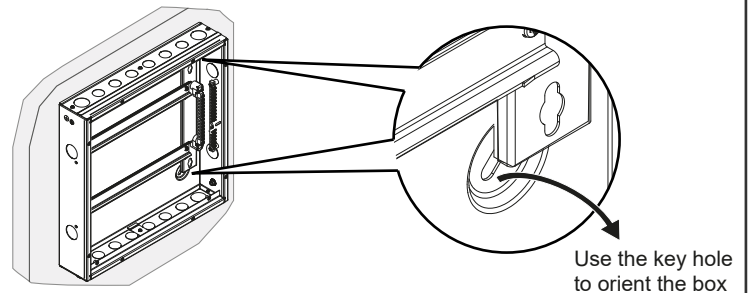
3 Mounting

3.1 Surface mounting

Fix the DB with the help of screws, keeping the keyhole slot as the reference point.

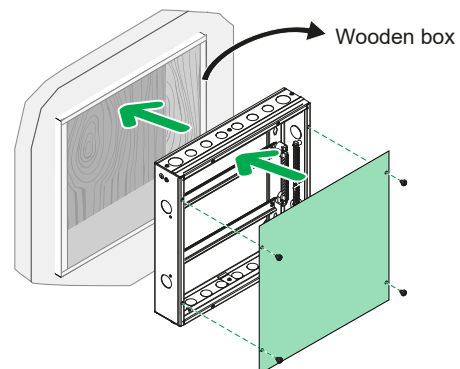
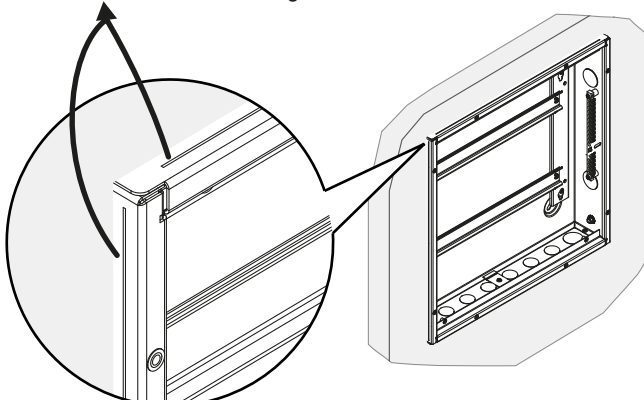


Mount the DB using all the four mounting holes provided.



3.2 Flush mounting

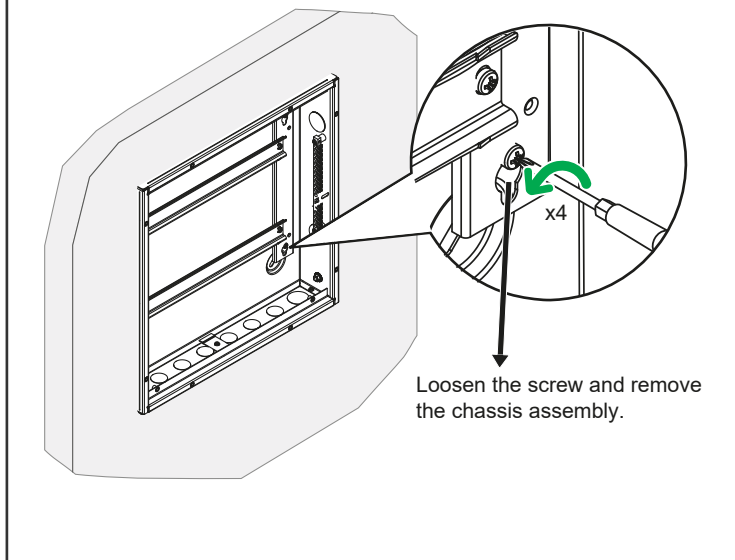
Push the DB till Plastering Guide



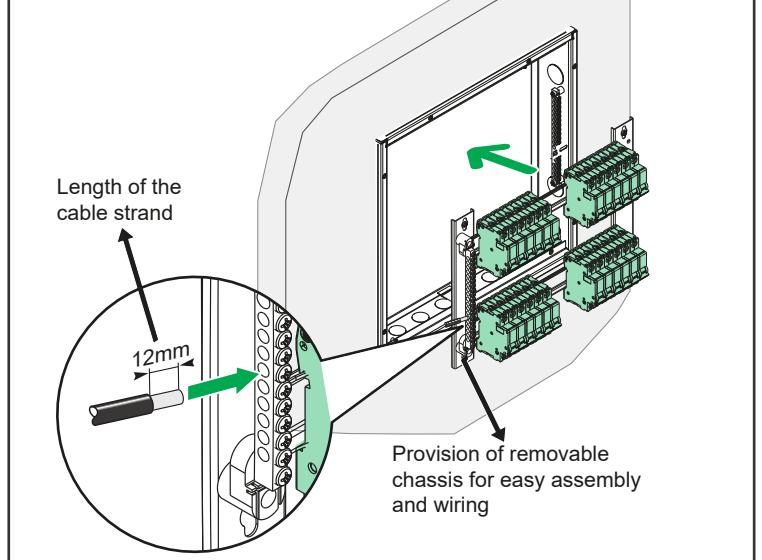
Note:

1. Using wooden box is recommended for installing the DB.
2. During construction work, install CSP back to box to avoid cement entering inside box. (Refer installation guidelines printed)

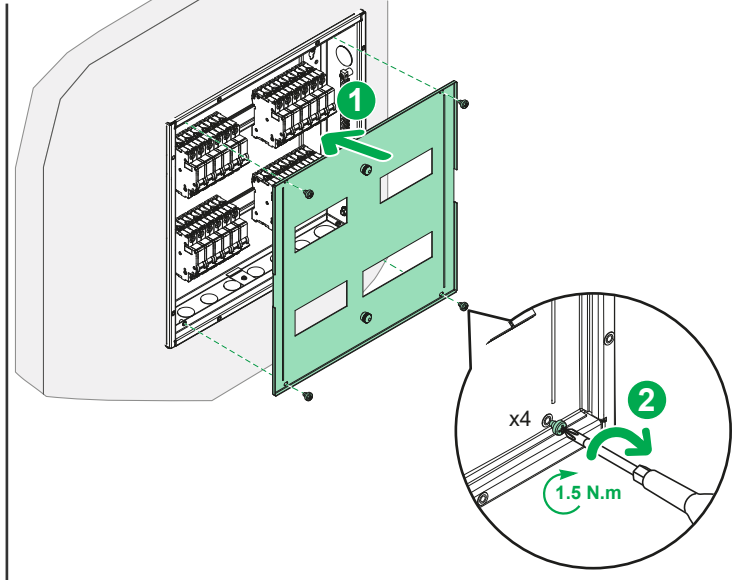
4 Unmount the chassis for Wiring



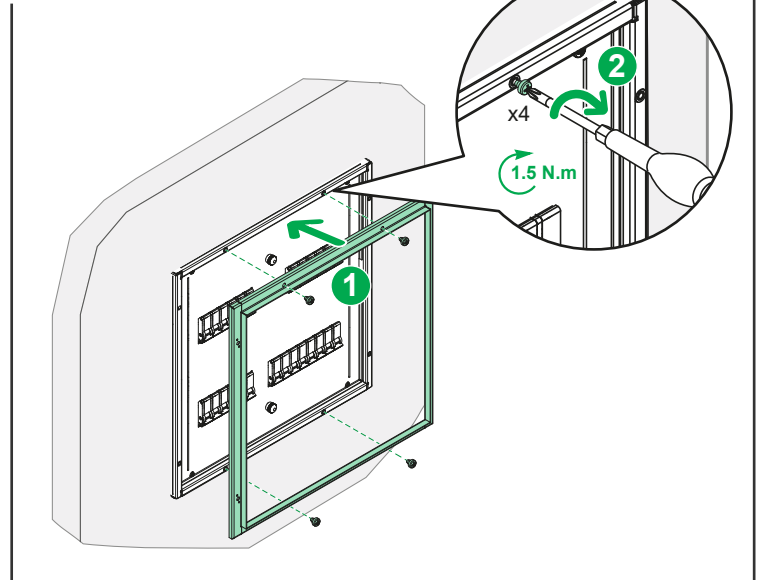
5 Mount the MCBs on DIN rail chassis and do the necessary wiring



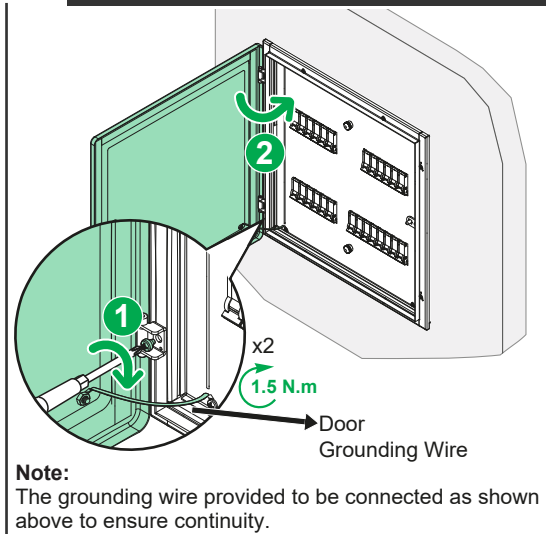
6 Assemble the Centre plate



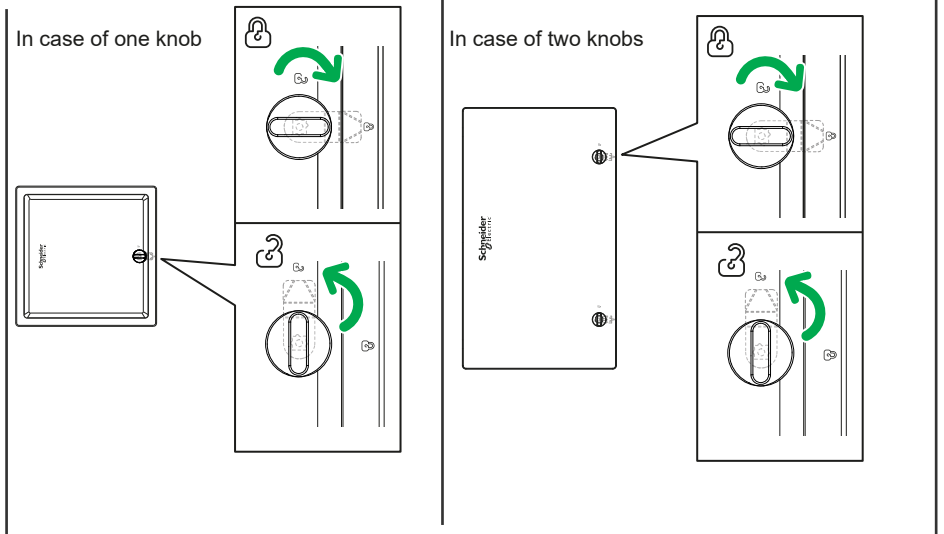
7 Assemble the Frame to U-Box



8 Fix door on the Frame using screws provided



9 Installation of Knobs



Regd. Office : Schneider Electric India Pvt. Ltd.

C 56, Mayapuri Industrial area, Phase-II,
New Delhi-110 064.

Customer Care Tel 1800 103 0011

Email: Customercare.in@se.com