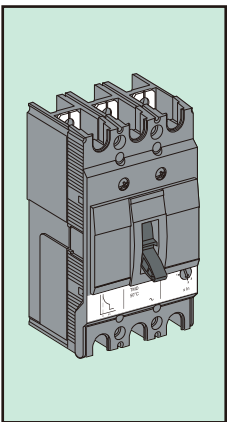
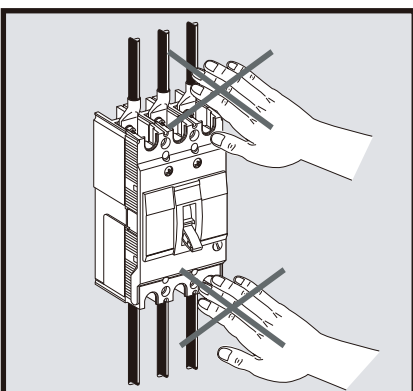


HRB56449-02-D00
Circuit breaker
thermal-magnetic
热磁断路器
 Disjoncteur
 magneto-thermique
 Interruptor termomagnético
 Disjonctor termomagnético

CVS100BS



Schneider
 Electric



⚠ WARNING 注意
 Hazardous voltage can shock, burn or cause death. Disconnect power from source before installing, modifying or servicing.
 安装、维护前必须切断电源。否则会引起触电、火灾或人身伤亡事故。

≤50A	6 	8
>50A	6 	8
	2 	4
	Philips n°1, 2 or slotted screwdriver 	

Test

mm

3-pole

111
Ø3.65 or M4
12.5
25

1 Nm

4-pole

111
Ø3.65 or M4
12.5
50

1 Nm

M4 x 60

mm

3-pole

≤3
82
65
52.6
29.2
23.6
1.2
25

4-pole

52.6
29.2
23.6
1.2
50

3-pole

≤3
92
75
9.5
25
25

4-pole

92
100
9.5
50
25

mm

EZ.100 ≤ 50A
 Ø = 5.5

EZ.100 > 50A
 Ø = 8.5

EZ.100 ≤ 50A	EZ.100 ≤ 50A	EZ.100 > 50A
M5 x 13.5	M8 x 13.5	M8 x 13.5
2 Nm	5.5 Nm	5.5 Nm

⚠ Required

EZ.100 ≤ 50A

EZALUG0502 / EZALUG0503

flexible
 2.5 → 10 mm²
 or
 solid
 2.5 → 16 mm²

2 Nm
 3 Nm

(2.5 to 4mm² #14 to #10 AWG flexible cables: connection via crimped end-barrels)

EZ.100 > 50A

EZALUG1002 / EZALUG1003

flexible
 10 → 35 mm²
 or
 solid
 10 → 50 mm²

3.5 Nm
 6 Nm

