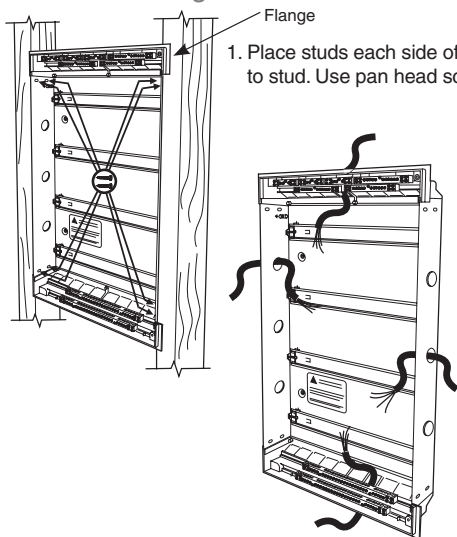


Jetstream Consumer Switchboards 4CC and 4FCC Series

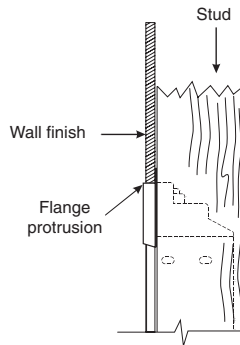
Installation Instructions

Flush-Mounting Model



1. Place studs each side of switchboard backbox. Fasten backbox so flange flushes to stud. Use pan head screws through slotted holes provided.

2. Install cabling into switchboard and make close fitting cut-outs as required.



3. Cut out wall finish to suit flange protrusion.

4. Second fix cables (ensure link wires are fitted between all Neutral and Earth bars, where appropriate).

5. Fasten switchboard cover and apply legend.

Surface-Mounting Model

1. Fasten mounting base to wall.
2. Second fix cables (ensure link wires are fitted between all Neutral and Earth Bars, where appropriate).
3. Fasten switchboard cover and apply legend.

Specifications

International Protection: IP40

Standards: AS/NZS3439.3

Rated insulation voltage: 1,000V

Rated current: 100A with suitably rated cable (25mm² max)

Rated operation voltage: 415V a.c.

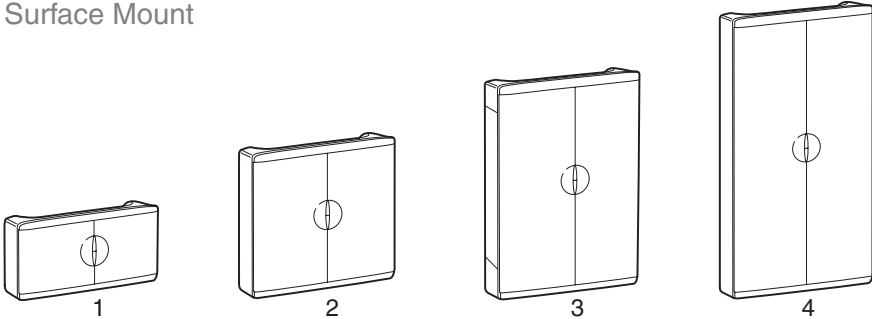
Short circuit withstand strength: 2.5kA

For indoor use only.

Painting Application

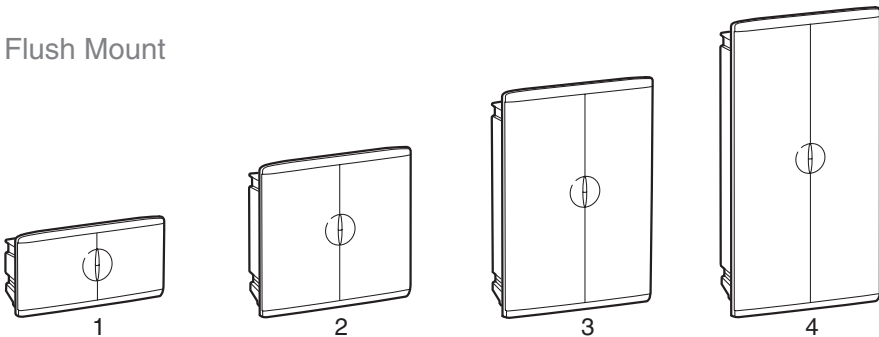
1. Clean surfaces.
2. Sand surface: sand surface using 220 grit sandpaper to provide a good bonding surface for sealant and top coats of paint. Wipe surface with damp cloth to remove dust.
3. Seal surface: apply one coat of Resene Smooth Surface Sealer or equivalent at the spreading of 16m²/litre.
4. Topcoat: apply two coats of any Resene Acrylic or equivalent; e.g. Resene Lumbersider (satin) Resene Zylone Sheen (low sheen), Resene Zylone 20 (flat), Resene Lustacryl (semi-gloss), Resene Enamacryl (gloss). Refer to paint manufacturer's instructions.

Surface Mount



Cat. No.	Width	Height	Depth
4CC15SB	376mm	258mm	115mm
4CC30SB	376mm	392mm	115mm
4CC45SB	376mm	666mm	115mm
4CC60SB	376mm	800mm	115mm

Flush Mount



Cat. No.	Width of fascia	Height of fascia	Depth into wall	Height of cut-out	Width of cut-out
4FCC15	376mm	258mm	70mm + wall thickness	223mm	335mm
4FCC30	376mm	392mm	70mm + wall thickness	357mm	335mm
4FCC45	376mm	666mm	70mm + wall thickness	631mm	335mm
4FCC60	376mm	800mm	70mm + wall thickness	765mm	335mm

Schneider Electric (Australia) Pty Ltd

Contact us: clipsal.com/feedback

National Customer Care Enquiries:

Tel 1300 2025 25

Fax 1300 2025 56

clipsal.com

Schneider Electric (Australia) Pty Ltd reserves the right to change specifications, modify designs and discontinue items without incurring obligation and whilst every effort is made to ensure that descriptions, specifications and other information in this catalogue are correct, no warranty is given in respect thereof and the company shall not be liable for any error therein.

© 2012 Schneider Electric. All Rights Reserved.
Trademarks are owned by Schneider Electric Industries SAS or its affiliated companies.