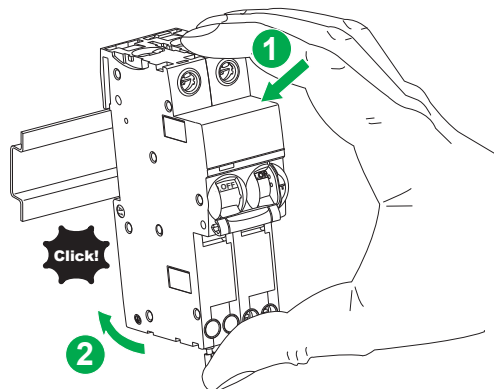


# 1 Installation

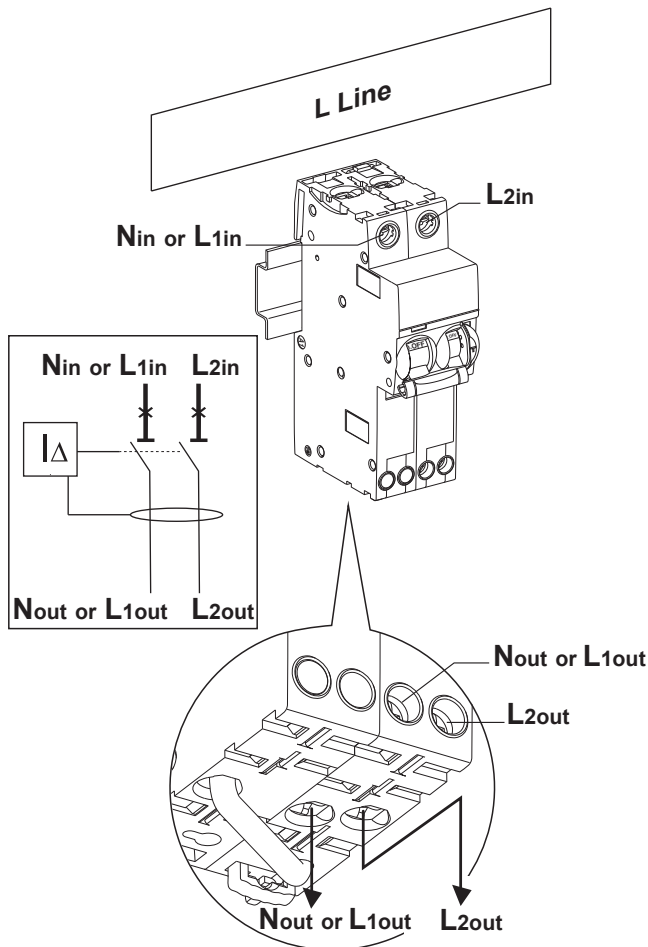
**⚡ ⚠ DANGER**

**HAZARD OF ELECTRIC SHOCK, EXPLOSION, OR ARC FLASH**

■ Install this product in accordance with National Wiring Regulation.  
**Failure to follow these instructions will result in death or serious injury.**



# 2 Connection



# 3 Testing

The installation, or part of it, is protected by devices which automatically switch off the supply if earth default develops. These devices should be tested periodically according to the local regulations, by pressing on the button marked "T".

**⚡ ⚠ DANGER**

**HAZARD OF ELECTRIC SHOCK, EXPLOSION, OR ARC FLASH**

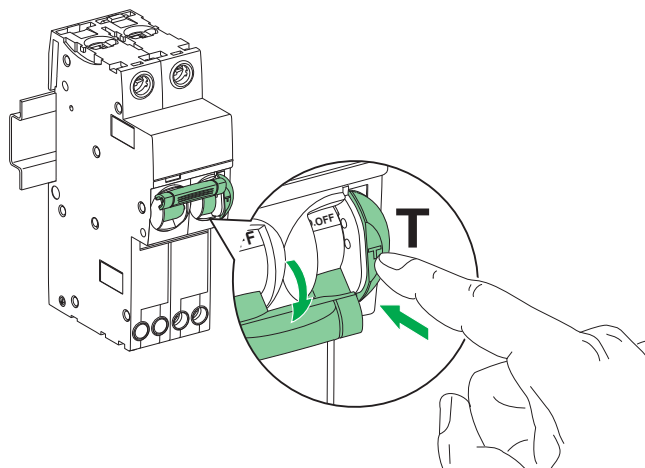
■ Test once a month each device by pressing on the button marked "T".  
**Failure to follow these instructions will result in death or serious injury.**

The devices should switch off the supply immediately, and should then be switched on to restore the supply. If the devices do not switch off the supply when the button is pressed, seek expert advice.

**NOTICE**

**HAZARD OF IMPROPER OPERATION**

Do not use Test Button to switch OFF RCBO.  
**Failure to follow these instructions can result in death, serious injury, or equipment damage.**



**Periodic test:**

In the absence of any regulation, Schneider Electric recommends the test should be carried out once a month.

**Megger test:**

iC60H2 RCBO must be disconnected before any dielectric tests are carried out.

Schneider Electric Industries SAS  
 35, rue Joseph Monier  
 CS 30323  
 F - 92506 Rueil Malmaison Cedex  
 www.schneider-electric.com

**This product must be installed, connected and used in compliance with prevailing standards and/or installation regulations.**  
 As standards, specifications and designs change from time to time, always ask for confirmation of the information given in this publication.