



# 1 Installation

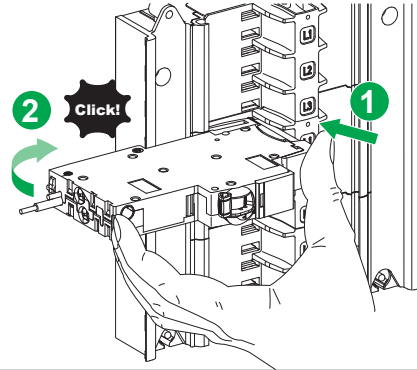
## ⚠️ ⚠️ DANGER

### HAZARD OF ELECTRIC SHOCK, EXPLOSION, OR ARC FLASH

- Install this product in accordance with National Wiring Regulation.
  - Check compatibility with earthing system. Do not use this product on installations which require double pole switching eg. IT or TT systems.
- Failure to follow these instructions will result in death or serious injury.**

All electrical equipment protected by iKQE RCBO must be effectively earthed. Maximum, permissible earthing resistance is as follows:

Device Ue	Maximum Earthing Resistance
110 V~	50 Ω
230 V~	100 Ω

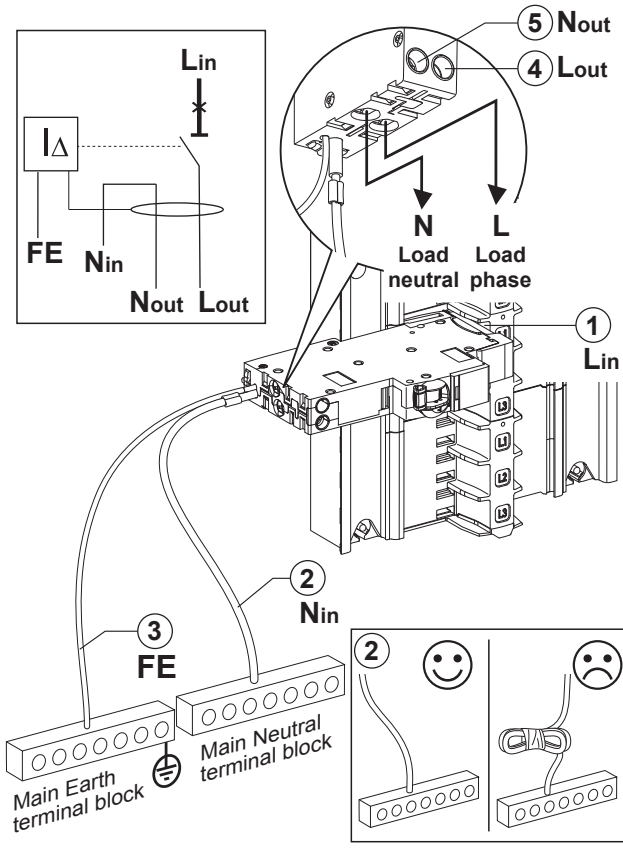


# 2 Connection

## NOTICE

### INOPERABLE EQUIPMENT

- Do not bind the neutral cable for installation.
  - Install the neutral cable straight between the iC60 RCBO and the main neutral terminal block.
- Failure to follow these instructions can result in equipment damage.**



# 3 Testing

The installation, or part of it, is protected by devices which automatically switch off the supply if earth default develops. These devices should be tested periodically according to the local regulations, by pressing on the button marked "T".

## ⚠️ ⚠️ DANGER

### HAZARD OF ELECTRIC SHOCK, EXPLOSION, OR ARC FLASH

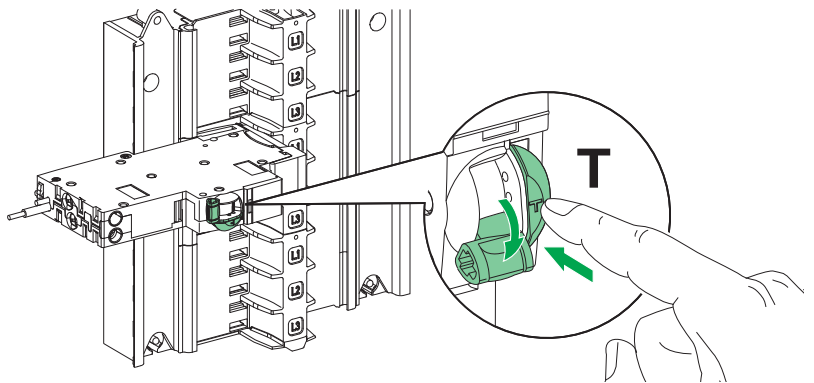
- Test once a month each device by pressing on the button marked "T".
- Failure to follow these instructions will result in death or serious injury.**

The devices should switch off the supply immediately, and should then be switched on to restore the supply. If the devices do not switch off the supply when the button is pressed, seek expert advice.

## NOTICE

### HAZARD OF IMPROPER OPERATION

- Do not use Test Button to switch OFF RCBO.
- Failure to follow these instructions can result in death, serious injury, or equipment damage.**



#### Periodic test:

In the absence of any regulation, Schneider Electric recommends the test should be carried out once a month.

#### Megger test:

iKQE RCBO must be disconnected before any dielectric tests are carried out.