

FRONT VIEW

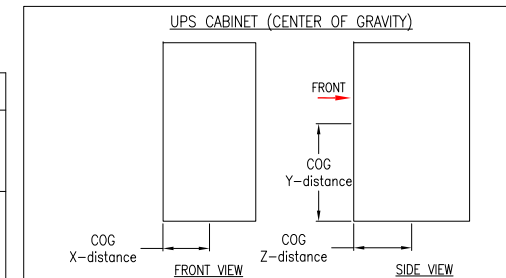
RH SIDE VIEW

REAR VIEW

**NOTES:**

1. INSTALLATION SHALL COMPLY WITH ALL APPLICABLE NATIONAL, STATE AND LOCAL CODES.
2. REFER TO PRODUCT DOCUMENTATION FOR ADDITIONAL DETAILS PRIOR TO INSTALLATION AND SITE PREPARATION WORK.
3. ALL DIMENSIONS ARE IN MILLIMETERS [INCHES].
- Δ4. CLEARANCE DIMENSIONS ARE RECOMMENDED FOR AIRFLOW AND SERVICE ACCESS ONLY.
5. ALL DIMENSIONS EXCLUDES SCREW PROJECTIONS OUTSIDE THE ENCLOSURE.
6. CABLE ENTRY IS FROM REAR OF THE UNIT.
7. OPERATING TEMPERATURE: 0°C TO 40°C [32°F TO 104°F].
8. PROTECTION CLASS: IP20.
9. COLOR: RAL 9003, GLOSS LEVEL 85%.
- Δ10. THIS INFORMATION PROVIDES APPROXIMATE CENTER OF GRAVITY CALCULATION.
- Δ11. DRILL/PUNCH HOLES IN PLATE. REMOVE PLATE FROM CABINET BEFORE DRILLING/PUNCHING.

CENTER OF GRAVITY AND WEIGHT DATA					
UPS SKU NUMBER	RATING (kW)	CENTER OF GRAVITY DISTANCE IN MILLIMETERS [INCHES]			WEIGHT kg [lbs]
		X DISTANCE	Y DISTANCE	Z DISTANCE	
GVSUPS10KB2HS	10	163 [6.42]	546 [21.49]	438 [17.24]	245 [540.13]
GVSUPS15KB2HS	15				
GVSUPS20KB2HS	20				



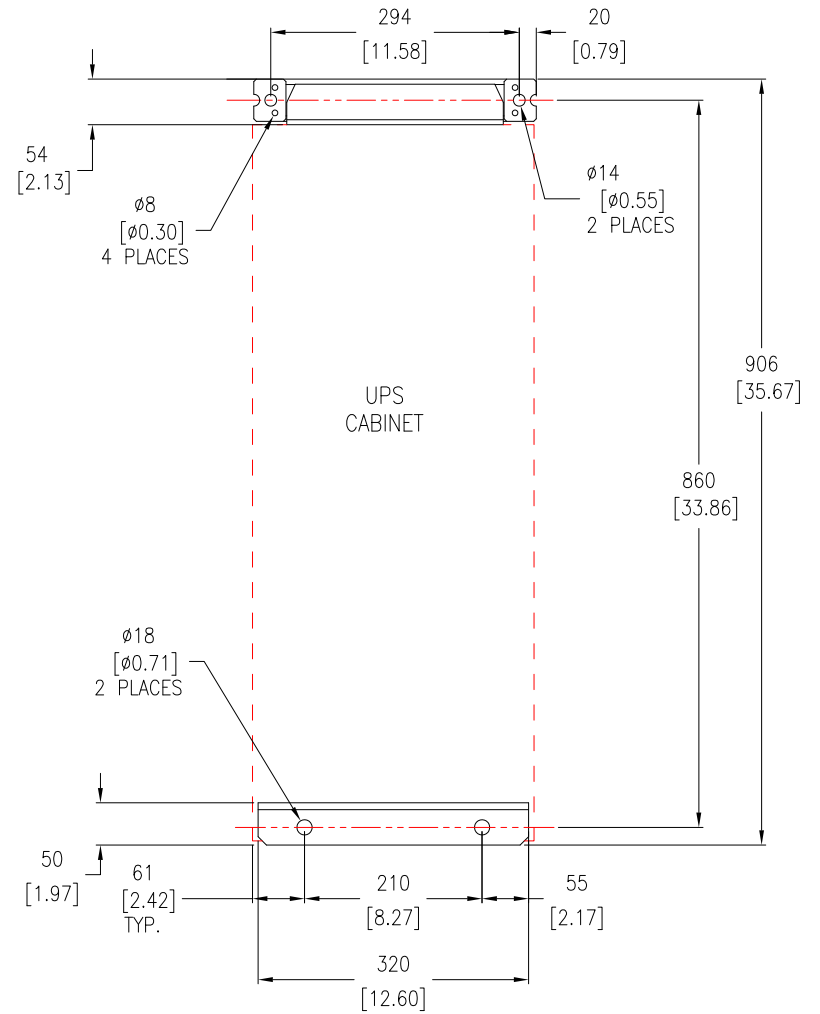
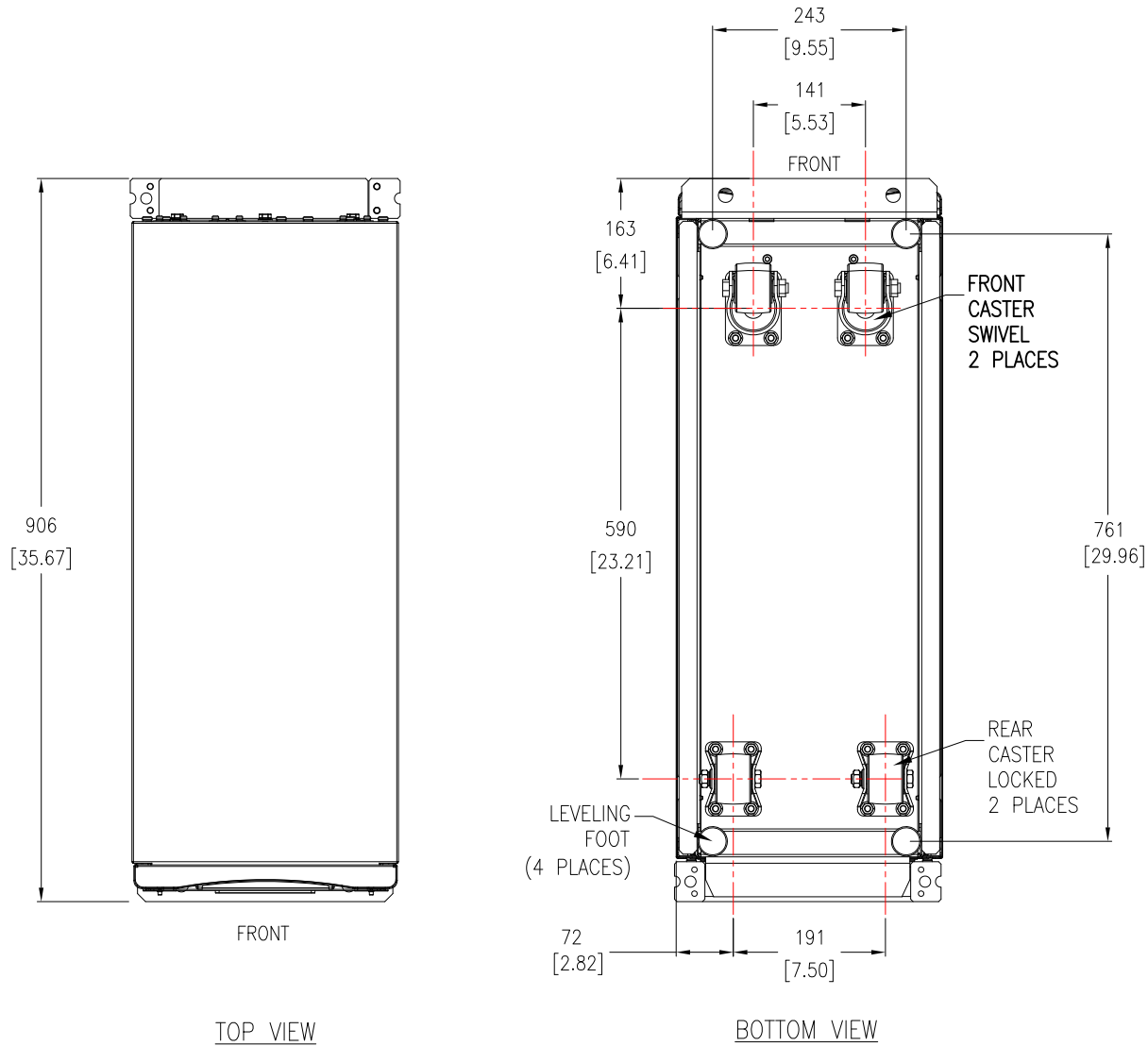
THIS DRAWING AND SPECIFICATIONS HEREIN ARE THE PROPERTY OF SCHNEIDER ELECTRIC AND SHALL NOT BE COPIED, REPRODUCED OR USED IN WHOLE OR IN PART, AS THE BASIS FOR THE MANUFACTURE OR SALE OF ITEMS WITHOUT WRITTEN PERMISSION FROM SCHNEIDER ELECTRIC. THIS DRAWING IS BASED UPON LATEST AVAILABLE INFORMATION AND IS SUBJECT TO CHANGE WITHOUT NOTICE.



TITLE: Galaxy VS UPS 10/15/20kW  
 Input: 380/400/415V, 3PH, 50Hz, SINGLE/DUAL MAINS  
 Output: 380/400/415V, 3PH, 50Hz  
 GENERAL ARRANGEMENT  
 PROJECT: SUBMITTAL DRAWINGS SHEET 1 OF 3

DWG NO: GVS10K20HSAIO  
 DRAWN: BALA  
 ENGINEER: N R/ C B  
 APPROVED: J L

REV: 0  
 14-OCT-19  
 15-OCT-19  
 15-OCT-19  
 FIRST ANGLE PROJECTION



△ 4 OPTIONAL SEISMIC KIT (GVSOPT017)  
ANCHORING DETAILS (BASE TOP VIEW)

**NOTES:**

1. INSTALLATION SHALL COMPLY WITH ALL APPLICABLE NATIONAL, STATE AND LOCAL CODES.
2. REFER TO PRODUCT DOCUMENTATION FOR ADDITIONAL DETAILS PRIOR TO INSTALLATION AND SITE PREPARATION WORK.
3. ALL DIMENSIONS ARE IN MILLIMETERS [INCHES].
- △ 4. SEISMIC LOCATION : OPTIONAL SEISMIC KIT IS REQUIRED.  
NON-SEISMIC LOCATION: NEED FRONT ANCHOR 870-63218  
(REUSE THE TRANSPORT FRONT ANCHOR ONLY).

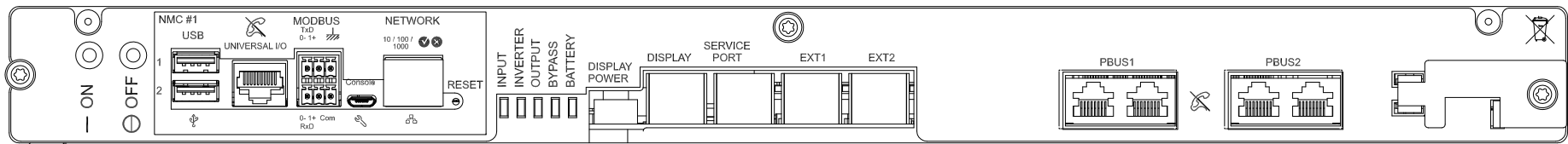
THIS DRAWING AND SPECIFICATIONS HEREIN ARE THE PROPERTY OF SCHNEIDER ELECTRIC AND SHALL NOT BE COPIED, REPRODUCED OR USED IN WHOLE OR IN PART, AS THE BASIS FOR THE MANUFACTURE OR SALE OF ITEMS WITHOUT WRITTEN PERMISSION FROM SCHNEIDER ELECTRIC. THIS DRAWING IS BASED UPON LATEST AVAILABLE INFORMATION AND IS SUBJECT TO CHANGE WITHOUT NOTICE.



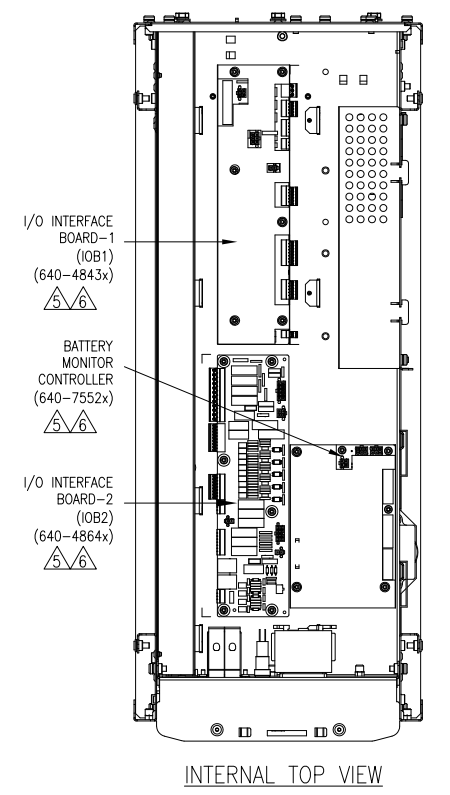
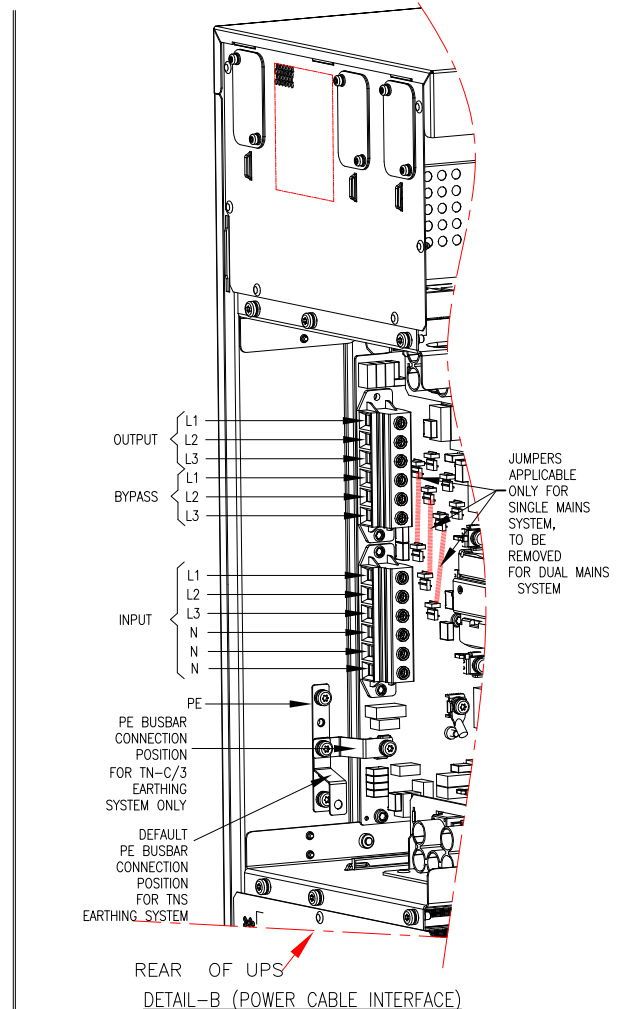
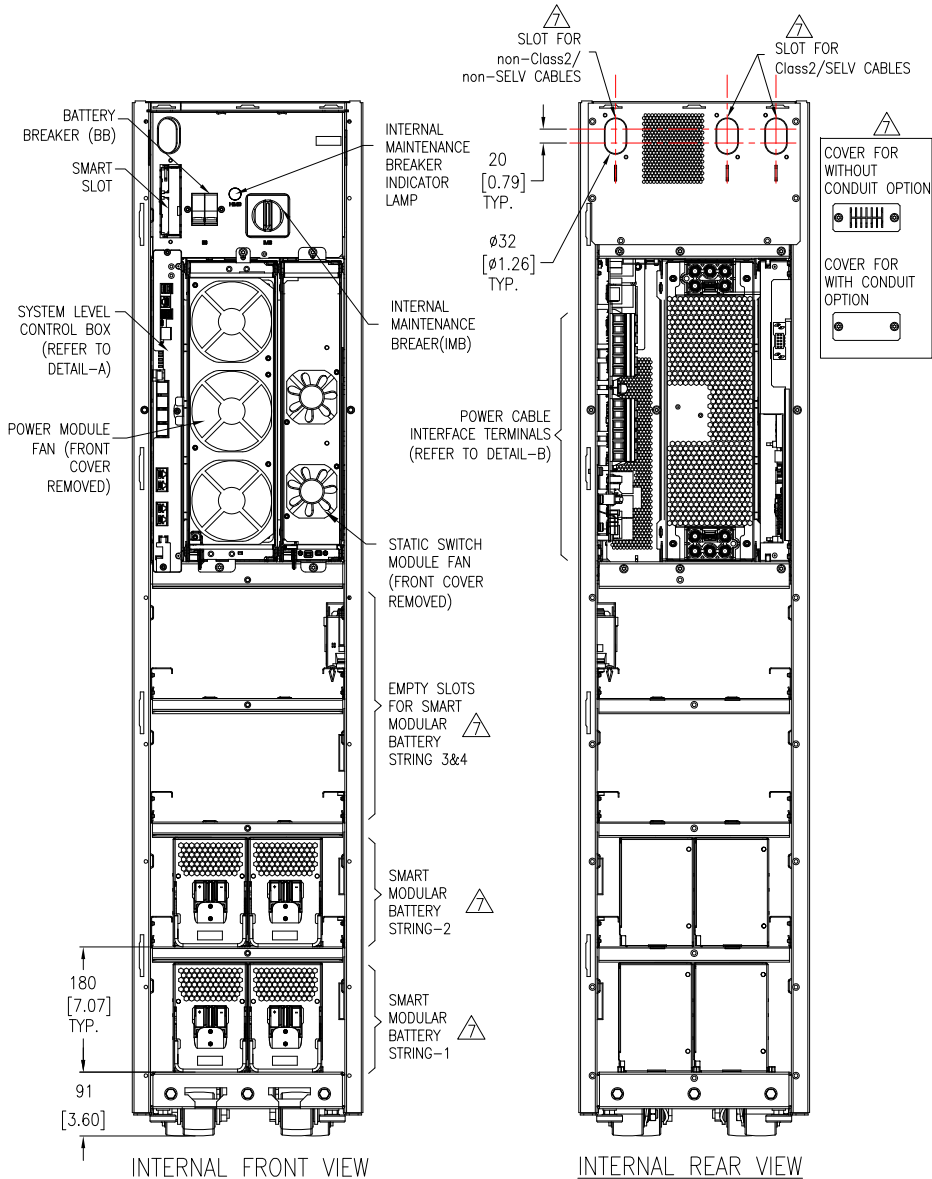
TITLE: Galaxy VS  
UPS 10/15/20kW  
Input: 380/400/415V, 3PH, 50Hz, SINGLE/DUAL MANS  
Output: 380/400/415V, 3PH, 50Hz  
TOP VIEW & ANCHORING

DWG NO:	GVS10K20HSAIO	REV:	0
DRAWN:	BALA	14-OCT-19	FIRST ANGLE PROJECTION
ENGINEER:	N R / C B	15-OCT-19	
APPROVED:	J L	15-OCT-19	

PROJECT: SUBMITTAL DRAWINGS SHEET 2 OF 3



△ 5. DETAIL-A (SYSTEM LEVEL CONTROL BOX-ENLARGED VIEW)



△ 7. BATTERY STRING DETAILS			
UPS SKU NUMBER	RATING (kW)	AVAILABLE WITH DEFAULT NUMBER OF STRINGS	MAXIMUM NUMBER OF STRING CAPACITY
GVSUPS10KB2HS	10	2 (GVSBT4)	4 (GVSBT4)
GVSUPS15KB2HS	15		
GVSUPS20KB2HS	20		

- NOTES:
1. INSTALLATION SHALL COMPLY WITH ALL APPLICABLE NATIONAL, STATE AND LOCAL CODES.
  2. REFER TO PRODUCT DOCUMENTATION FOR ADDITIONAL DETAILS PRIOR TO INSTALLATION AND SITE PREPARATION WORK.
  3. ALL DIMENSIONS ARE IN MILLIMETERS [INCHES].
  4. SOME STRUCTURAL DETAILS HAVE BEEN OMITTED FOR THE PURPOSE OF CLARITY.
- △ 5. FOR INTERFACE DETAILS REFER TO SYSTEM WIRING DIAGRAM GVS10K50HSAIO-WD.  
 △ 6. FOR LATEST BOARD PART NUMBER CONTACT SCHNEIDER ELECTRIC.

THIS DRAWING AND SPECIFICATIONS HEREIN ARE THE PROPERTY OF SCHNEIDER ELECTRIC AND SHALL NOT BE COPIED, REPRODUCED OR USED IN WHOLE OR IN PART, AS THE BASIS FOR THE MANUFACTURE OR SALE OF ITEMS WITHOUT WRITTEN PERMISSION FROM SCHNEIDER ELECTRIC. THIS DRAWING IS BASED UPON LATEST AVAILABLE INFORMATION AND IS SUBJECT TO CHANGE WITHOUT NOTICE.



TITLE: Galaxy VS UPS 10/15/20kW  
 Input: 380/400/415V, 3PH, 50Hz, SINGLE/DUAL MAINS  
 Output: 380/400/415V, 3PH, 50Hz  
 INTERNAL AND INTERFACE DETAILS

DWG NO: GVS10K20HSAIO REV. 0  
 DRAWN: BALA 14-OCT-19 FIRST ANGLE  
 ENGINEER: N R / C B 15-OCT-19 PROJECTION  
 APPROVED: J L 15-OCT-19