

LEFT SIDE VIEW

FRONT VIEW

RIGHT SIDE VIEW

REAR VIEW

NOTES:

1. INSTALLATION SHALL COMPLY WITH ALL APPLICABLE NATIONAL, STATE AND LOCAL CODES.
2. REFER TO PRODUCT DOCUMENTATION FOR ADDITIONAL DETAILS PRIOR TO INSTALLATION AND SITE PREPARATION WORK.
3. ALL DIMENSIONS ARE IN INCHES [MILLIMETERS].
- △4. CLEARANCE DIMENSIONS MENTIONED ARE FOR AIRFLOW AND SERVICE ACCESS ONLY. CONSULT WITH THE LOCAL SAFETY CODES AND STANDARDS FOR ADDITIONAL REQUIREMENTS IN YOUR LOCAL AREA.
5. CABLE ENTRY IS FROM BOTTOM OF THE UNIT ONLY.
6. NET WEIGHT OF THE UNIT IS 85kg [187.0lbs].

THIS DRAWING AND SPECIFICATIONS HEREIN ARE THE PROPERTY OF SCHNEIDER ELECTRIC AND SHALL NOT BE COPIED, REPRODUCED OR USED IN WHOLE OR IN PART, AS THE BASIS FOR THE MANUFACTURE OR SALE OF ITEMS WITHOUT WRITTEN PERMISSION FROM SCHNEIDER ELECTRIC. THIS DRAWING IS BASED UPON LATEST AVAILABLE INFORMATION AND IS SUBJECT TO CHANGE WITHOUT NOTICE.



TITLE: Galaxy VL
BOTTOM ENTRY CABINET
GENERAL ARRANGEMENT

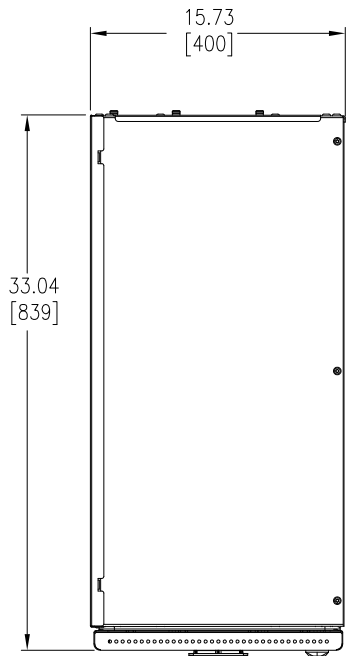
DWG NO: GVBEC REV. 1

DRAWN BY: K.NAGENDRA/BALA 17-SEP-20 THIRD

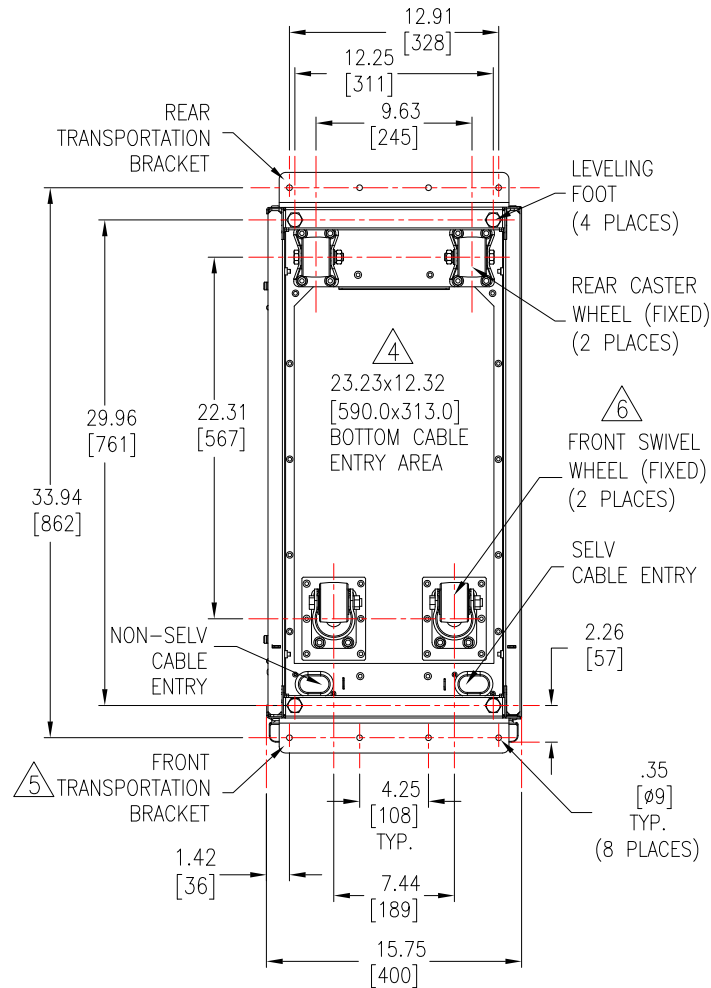
ENGINEER: A.D/Y.S 29-SEP-20 ANGLE

PROJECT: SUBMITTAL DRAWINGS SHEET 1 OF 3

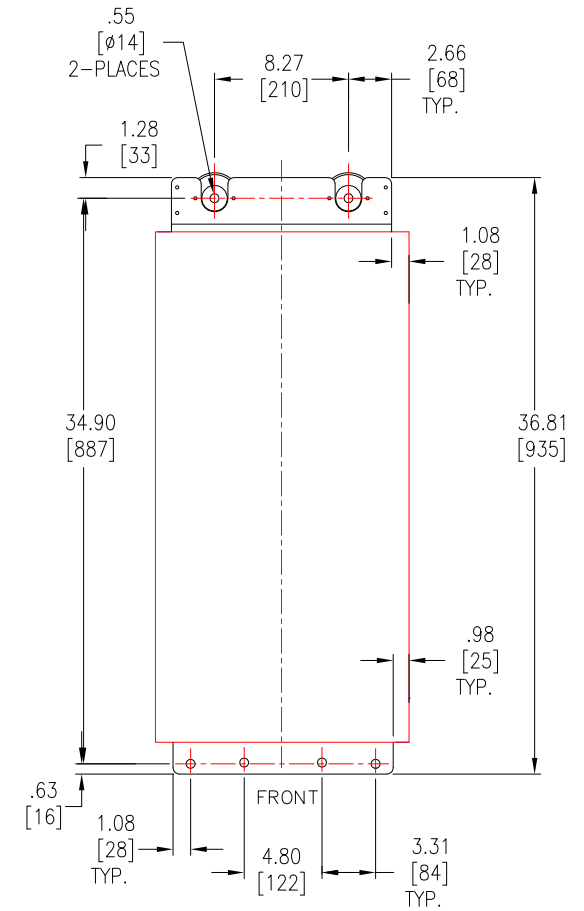
APPROVED BY: A.D/Y.S 29-SEP-20 PROJECTION



FRONT
TOP VIEW



BOTTOM VIEW



GVLOPT002
SEISMIC KIT DETAILS
(LOOKING FROM TOP)

NOTES:

1. INSTALLATION SHALL COMPLY WITH ALL APPLICABLE NATIONAL, STATE AND LOCAL CODES.
2. REFER TO PRODUCT DOCUMENTATION FOR ADDITIONAL DETAILS PRIOR TO INSTALLATION AND SITE PREPARATION WORK.
3. ALL DIMENSIONS ARE IN INCHES [MILLIMETERS].
- △ 4. DRILL/PUNCH HOLES IN PLATE. REMOVE PLATE FROM CABINET BEFORE DRILLING/PUNCHING.
- △ 5. FOR NON-SEISMIC LOCATION: USE REAR TRANSPORTATION BRACKET ONLY.
FOR SEISMIC LOCATION : SEISMIC KIT IS REQUIRED (GVLOPT002).
- △ 6. ONLY REAR CASTER TO BE REMOVED FOR BOTTOM CABLE ENTRY.
7. SOME STRUCTURAL DETAILS HAVE BEEN OMITTED FOR THE PURPOSE OF CLARITY.

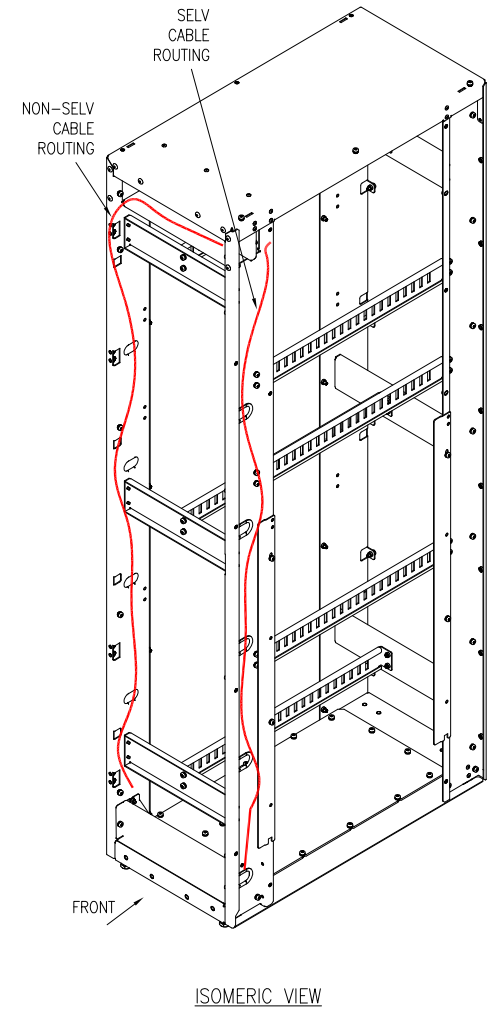
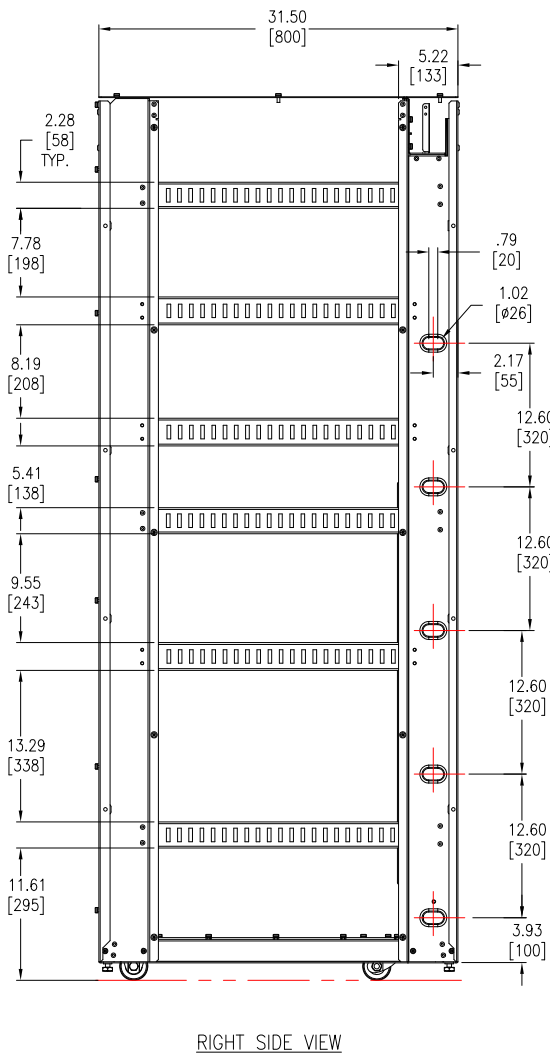
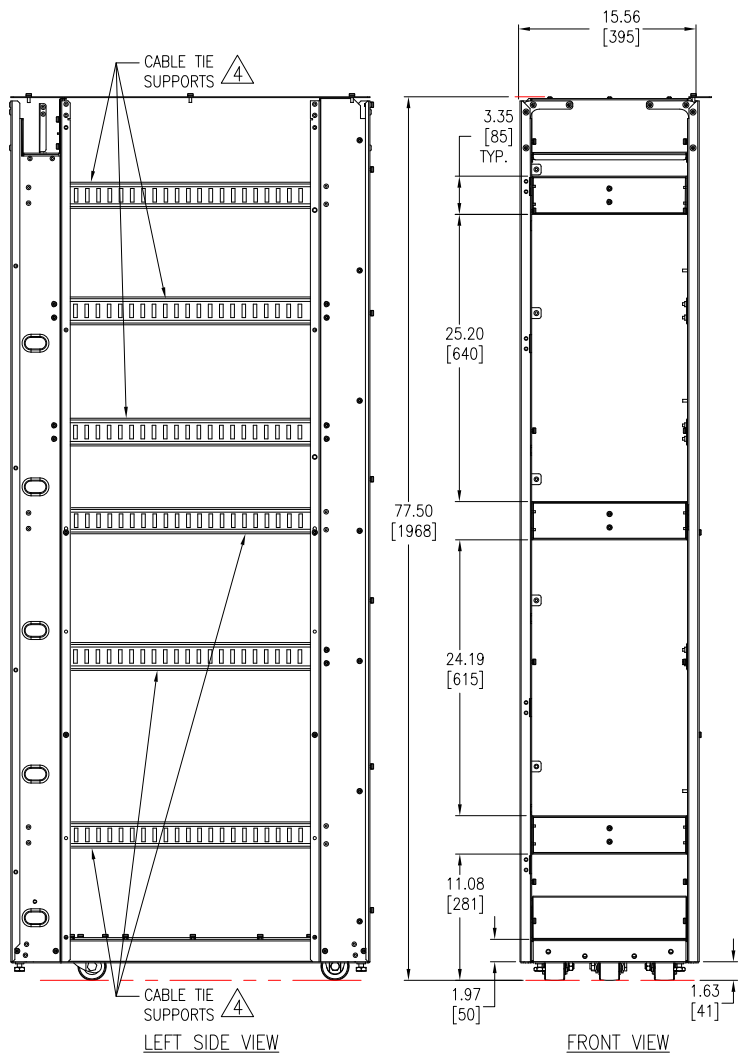
THIS DRAWING AND SPECIFICATIONS HEREIN ARE THE PROPERTY OF SCHNEIDER ELECTRIC AND SHALL NOT BE COPIED, REPRODUCED OR USED IN WHOLE OR IN PART, AS THE BASIS FOR THE MANUFACTURE OR SALE OF ITEMS WITHOUT WRITTEN PERMISSION FROM SCHNEIDER ELECTRIC. THIS DRAWING IS BASED UPON LATEST AVAILABLE INFORMATION AND IS SUBJECT TO CHANGE WITHOUT NOTICE.



TITLE: Galaxy VL
BOTTOM ENTRY CABINET
TOP-BOTTOM VIEWS & ANCHORING

PROJECT: SUBMITTAL DRAWINGS SHEET 2 OF 3

DWG NO: GVBEC		REV. 1
DRAWN BY: K.NAGENDRA/BALA	28-SEP-20	THIRD
ENGINEER: A.D/Y.S	29-SEP-20	ANGLE
APPROVED BY: A.D/Y.S	29-SEP-20	PROJECTION



- NOTES:**
1. INSTALLATION SHALL COMPLY WITH ALL APPLICABLE NATIONAL, STATE AND LOCAL CODES.
 2. REFER TO PRODUCT DOCUMENTATION FOR ADDITIONAL DETAILS PRIOR TO INSTALLATION AND SITE PREPARATION WORK.
 3. ALL DIMENSIONS ARE IN INCHES [MILLIMETERS].
 4. CABLE TIE SUPPORT CAN BE MOUNTED AS PER REQUIREMENT. REFER TO INSTALLATION MANUAL FOR POSITIONAL DETAILS.
 5. SOME STRUCTURAL DETAILS HAVE BEEN OMITTED FOR THE PURPOSE OF CLARITY.

THIS DRAWING AND SPECIFICATIONS HEREIN ARE THE PROPERTY OF SCHNEIDER ELECTRIC AND SHALL NOT BE COPIED, REPRODUCED OR USED IN WHOLE OR IN PART, AS THE BASIS FOR THE MANUFACTURE OR SALE OF ITEMS WITHOUT WRITTEN PERMISSION FROM SCHNEIDER ELECTRIC. THIS DRAWING IS BASED UPON LATEST AVAILABLE INFORMATION AND IS SUBJECT TO CHANGE WITHOUT NOTICE.



TITLE: Galaxy VL
BOTTOM ENTRY CABINET
INTERNAL VIEW

PROJECT: SUBMITTAL DRAWINGS SHEET 3 OF 3

DWG NO:	GVBEC		REV.	0
DRAWN BY:	K.NAGENDRA	19-JUN-20	THIRD	
ENGINEER:	A.D/Y.S	23-JUL-20	ANGLE	
APPROVED BY:	A.D/Y.S	23-JUL-20	PROJECTION	