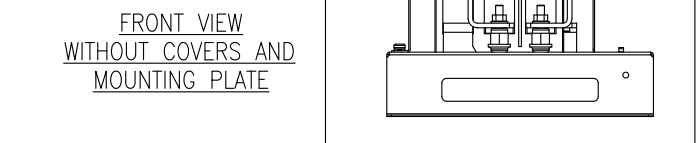
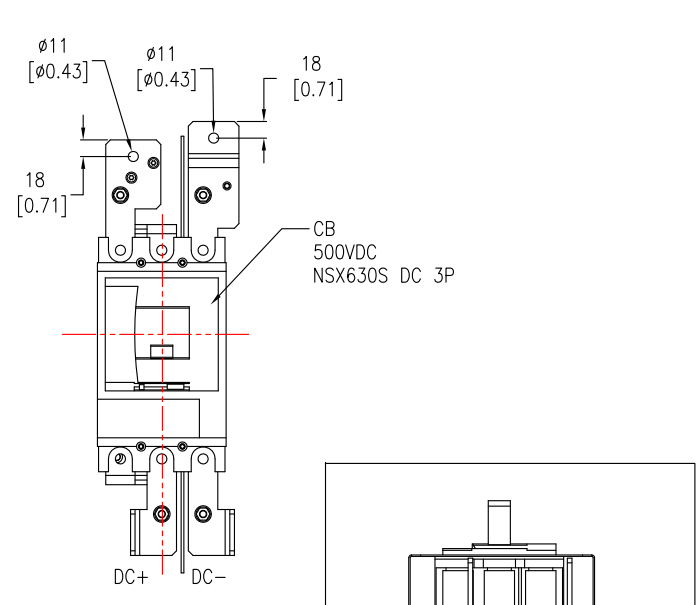
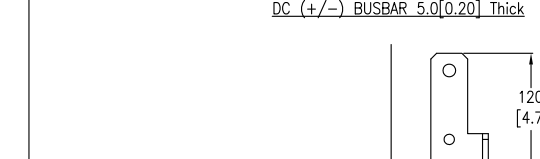
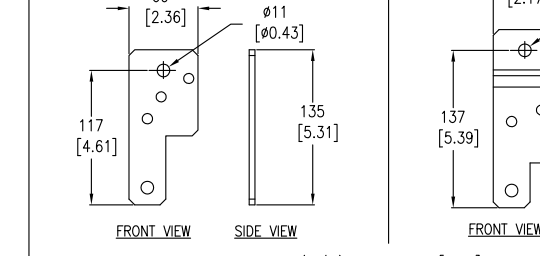
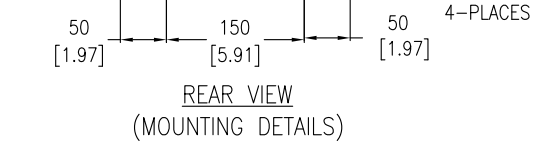
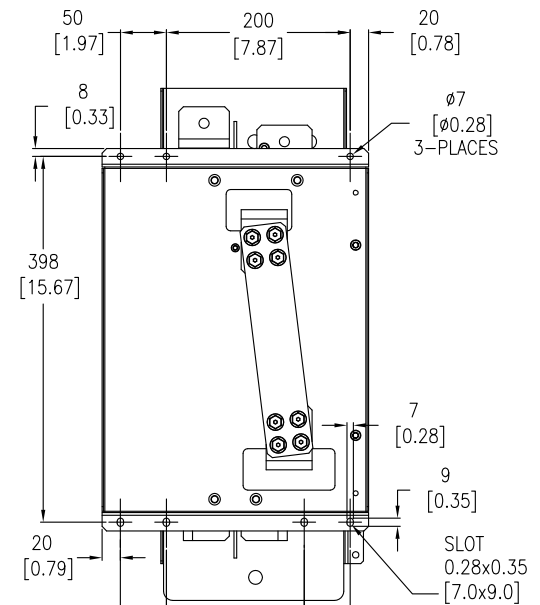


Voltage (V)	UPS Rating (kVA)	Trip Setting (A)	
		I <sub>r</sub>	I <sub>m</sub>
380/400/415	100	420	1500
	150	420	
	200	480	
	250	600	1800
	300	600	

- NOTES:**
1. INSTALLATION SHALL COMPLY WITH ALL APPLICABLE NATIONAL, STATE AND LOCAL ELECTRICAL REGULATIONS.
  2. REFER TO PRODUCT DOCUMENTATION FOR ADDITIONAL DETAILS PRIOR TO INSTALLATION AND SITE PREPARATION WORK.
  3. ALL DIMENSIONS ARE IN MILLIMETERS [INCHES].
  4. FRONT ACCESS REQUIRED FOR SERVICE.
  5. THE WEIGHT OF THE UNIT IS 12 kg [26.4 lb].
  6. OPERATING TEMPERATURE: 0°C TO 40°C [32°F TO 104°F]
  - Δ7. REFER TO TABLE FOR TRIP SETTING DETAILS



THIS DRAWING AND SPECIFICATIONS HEREIN ARE THE PROPERTY OF SCHNEIDER ELECTRIC AND SHALL NOT BE COPIED, REPRODUCED OR USED IN WHOLE OR IN PART, AS THE BASIS FOR THE MANUFACTURE OR SALE OF ITEMS WITHOUT WRITTEN PERMISSION FROM SCHNEIDER ELECTRIC. THIS DRAWING IS BASED UPON LATEST AVAILABLE INFORMATION AND IS SUBJECT TO CHANGE WITHOUT NOTICE.

TITLE: GALAXY VL BATTERY BREAKER KIT 100-500kW, 400V WITH ONE CIRCUIT BREAKER GENERAL ARRANGEMENT

DWG NO: GVB BK630EL REV: 0  
 DRAWN: K NAGENDRA 15-MAY-20  
 ENGINEER: TERRY HU 15-MAY-20  
 APPROVED: ALICE DU 15-MAY-20