

A

B

C

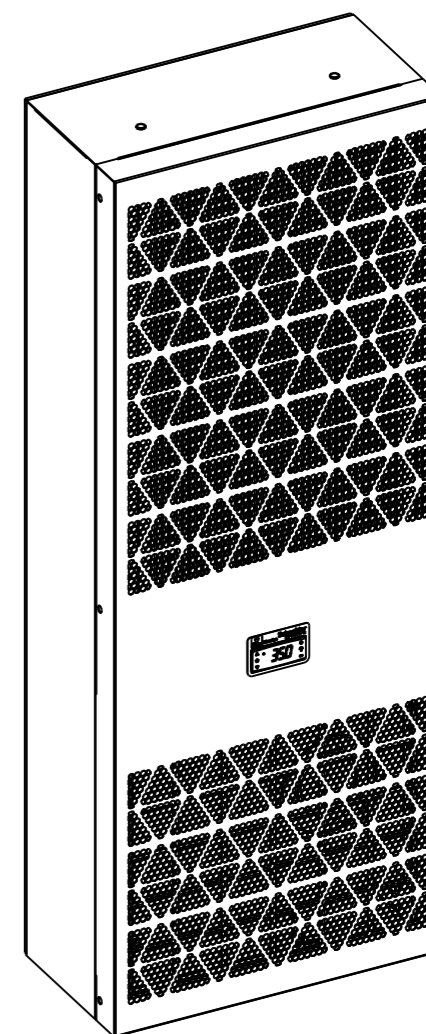
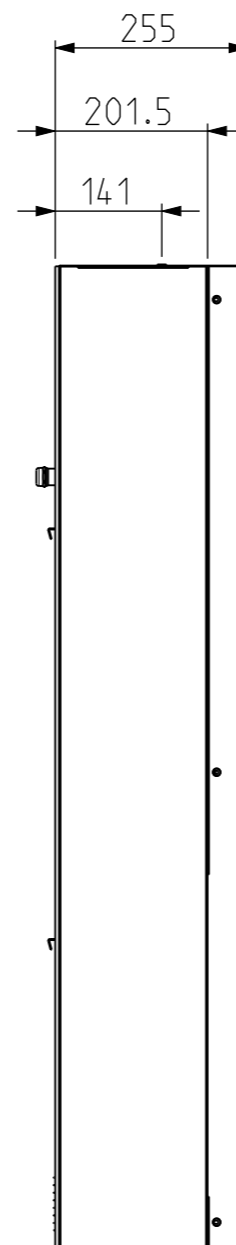
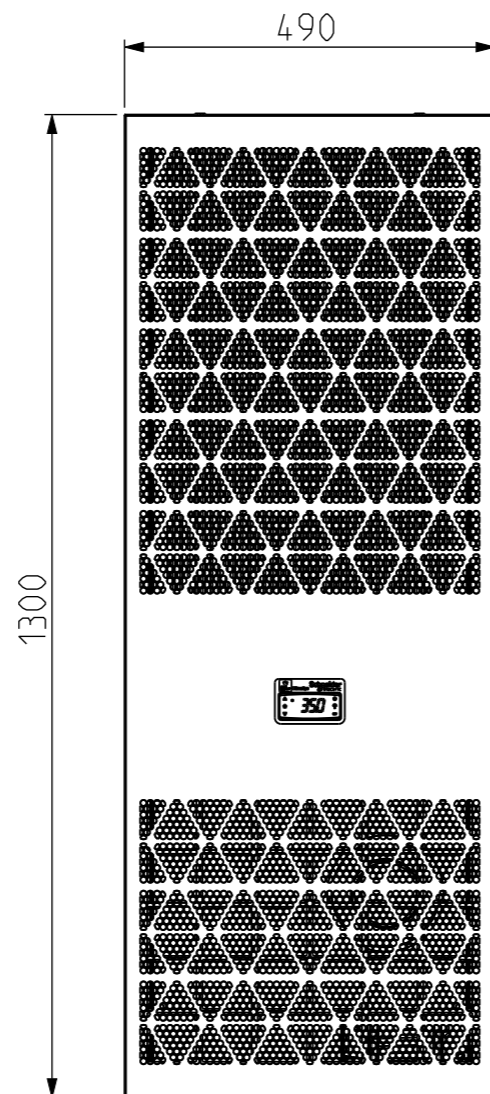
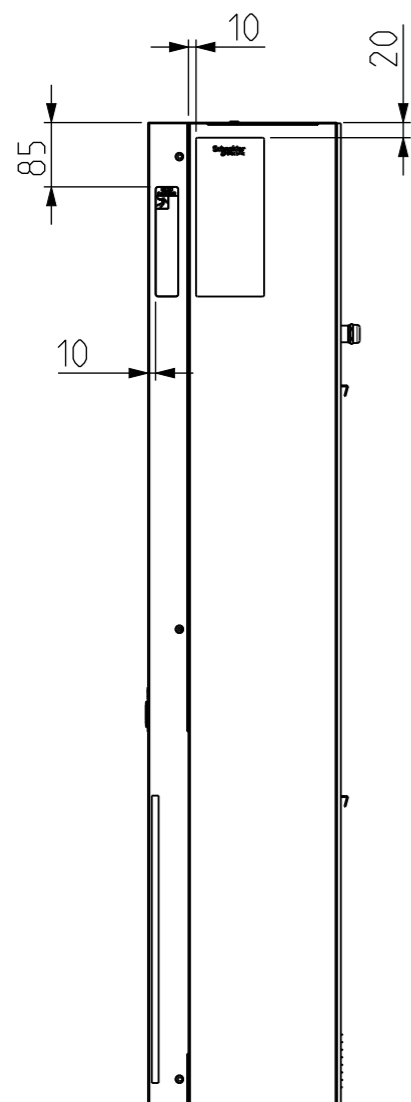
D

A

B

C

D



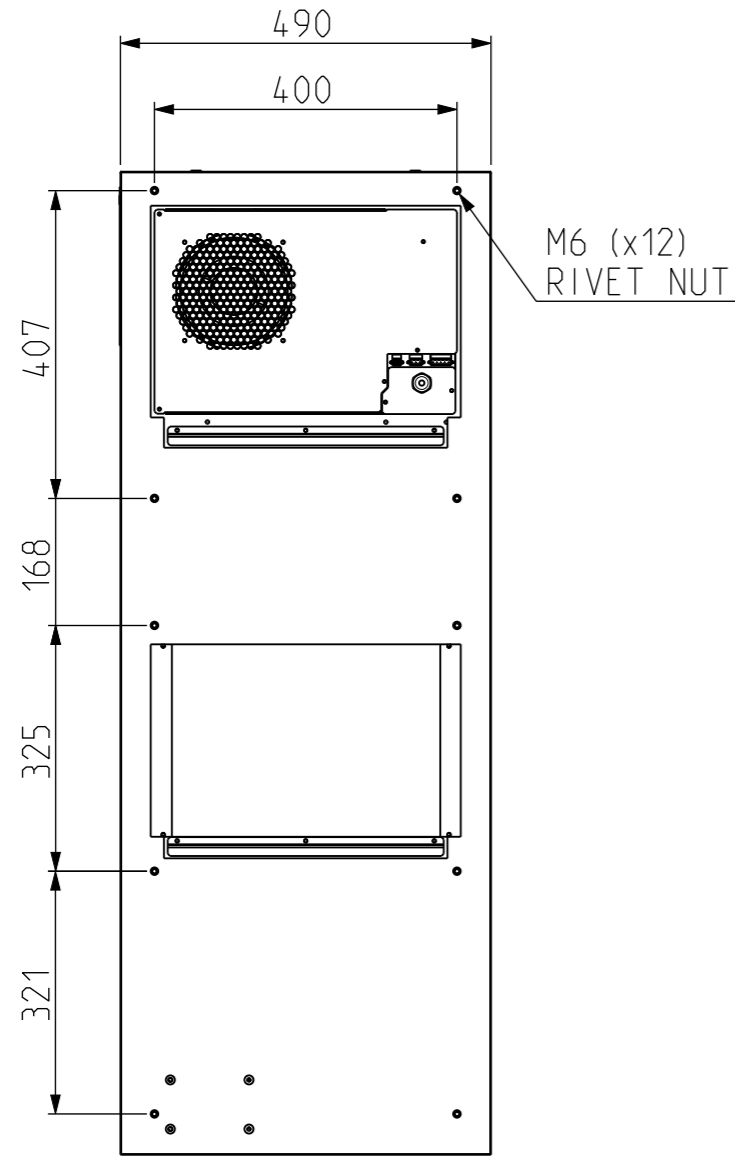
| Commercial Reference | Weight   |
|----------------------|----------|
| NSYCU3K2DG           | 58.86 Kg |
| NSYCU3K23P4DG        | 58.86 Kg |
| NSYCU4K3P4DG         | 62.2 Kg  |

|                                       |   |   |                         |
|---------------------------------------|---|---|-------------------------|
|                                       | Scale:<br>1:10  | Technical Specification:<br>ISO 2768 mK | Units of measure:<br>mm |
|                                       | Document Description:<br>CONNECT COOLING UNIT SIDE 3K2W 4KW |   |                         |
| Document Number:<br><b>GEX8218002</b> |   | Doc. Rev.<br><b>00.5</b>                | Sheet:<br>1/5           |

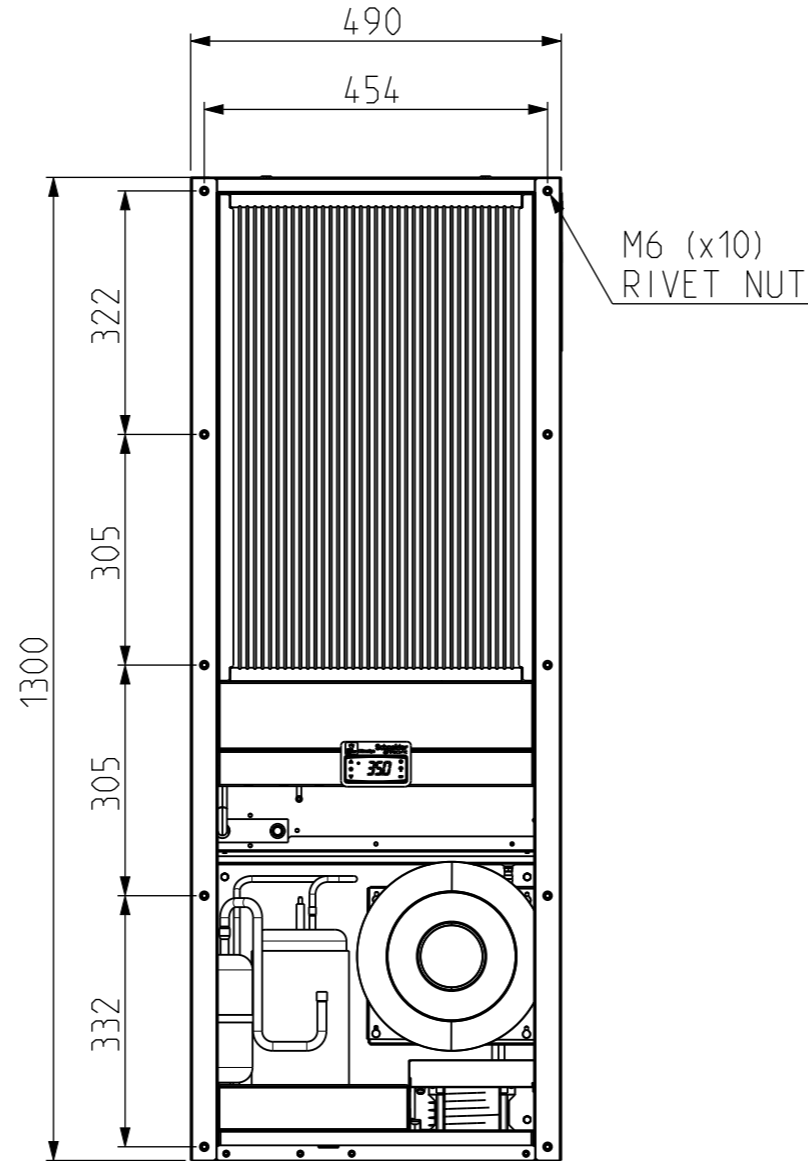
The information is highly confidential and is the exclusive property of Schneider Electric copyright reserved. This drawing must not be used for any purpose other than that expressly permitted in writing by the owners and must not be disclosed or reproduced in any way without permission from the owners in writing. This drawing must be returned to the owners when the purpose has ceased.

Released for Manufacturing  
Printed on 2024/06/12

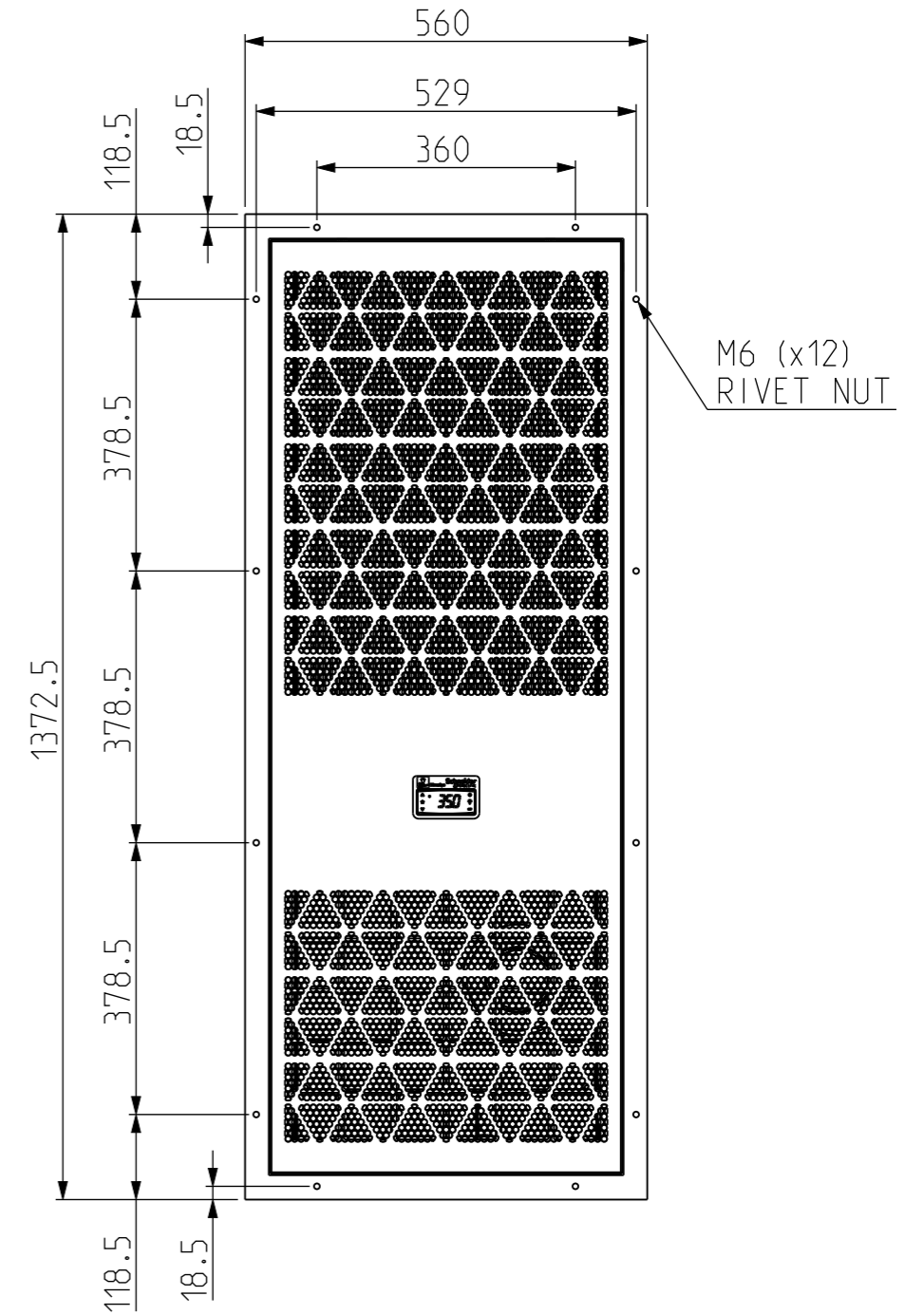
SURFACE MOUNTING  
FIXING POINTS



FLUSH MOUNTING  
FIXING POINTS



HALF-FLUSH MOUNTING  
FIXING POINTS\*



\*Requires accessory:

NSYCUACC037DG

|                                       |  |   |                                     |
|---------------------------------------|--|---|-------------------------------------|
|                                       | Scale:<br>1:10   | Technical Specification:<br>ISO 2768 mK             | Units of measure:<br>mm             |
|                                       | Document Description:<br><b>CONNECT COOLING UNIT SIDE 3K2W 4KW</b> |   | Doc. Rev. Sheet:<br><b>00.5</b> 2/5 |
| Document Number:<br><b>GEX8218002</b> |  | Released for Manufacturing<br>Printed on 2024/06/12 |                                     |

1

2

3

4

A

A

# SURFACE MOUNTING CUT-OUT

B

B

C

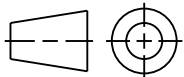
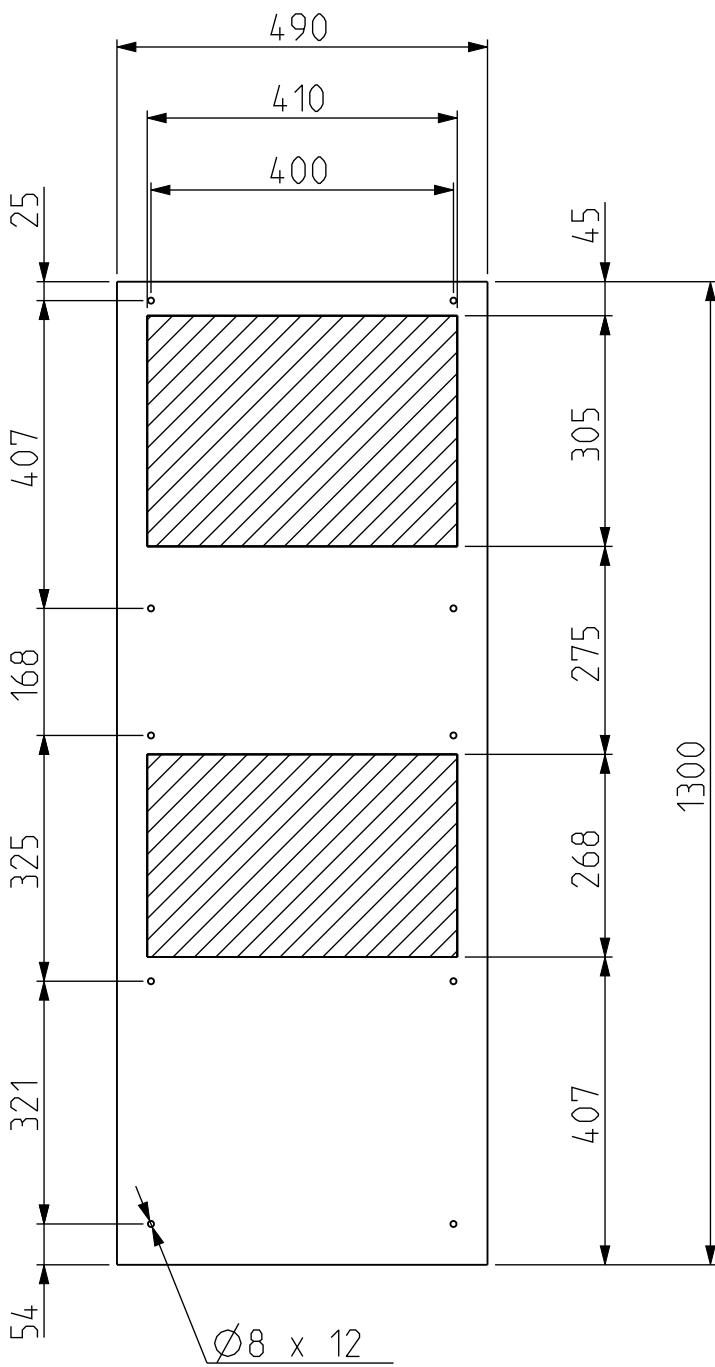
C

D

D

E

E



Scale:  
1:10

Technical Specification:  
ISO 2768 mK

Units of measure:  
mm

Document Description:

**CONNECT COOLING UNIT SIDE 3K2W 4KW**

Document Number:

**GEX8218002**

Doc.Rev.:

**00.5**

Sheet:

3/5

Released for Manufacturing

Printed on 2024/06/12

1

2

3

4

A

A

B

B

C

C

D

D

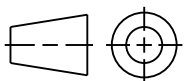
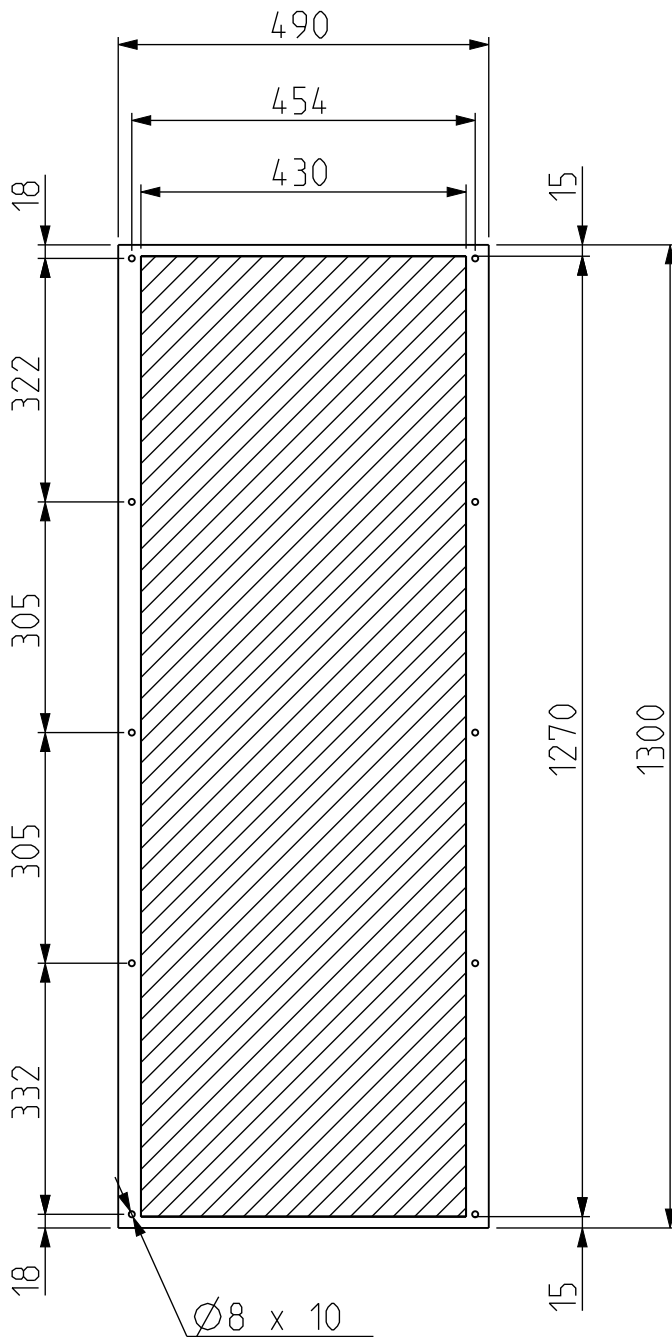
E

E

F

F

# FLUSH MOUNTING CUT-OUT



Scale:  
1:10

Technical Specification:  
ISO 2768 mK

Units of measure:  
mm

Document Description:

**CONNECT COOLING UNIT SIDE 3K2W 4KW**

Document Number:

**GEX8218002**

Doc.Rev.:  
**00.5**

Sheet:  
4/5

Released for Manufacturing  
Printed on 2024/06/12

1

2

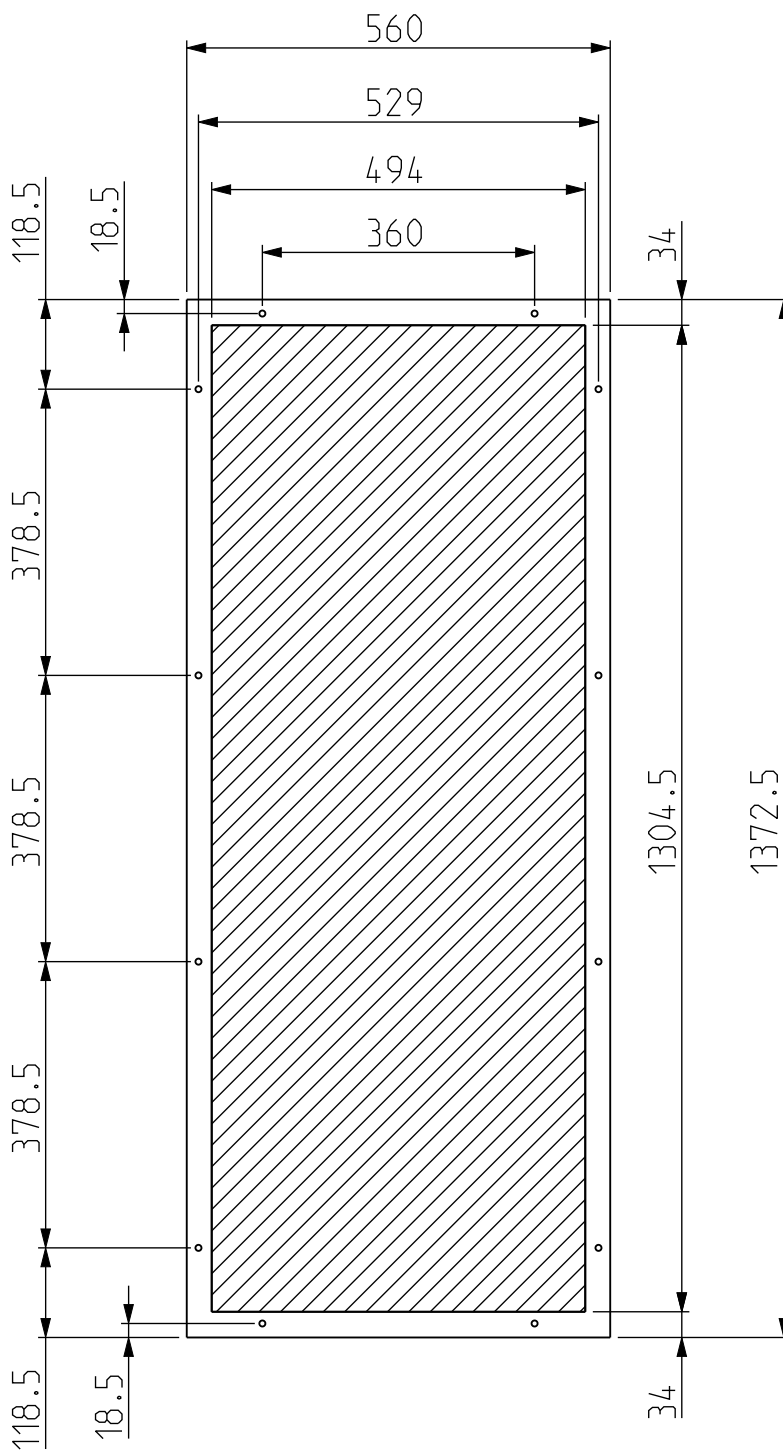
3

4

A

A

# HALF-FLUSH MOUNTING CUT-OUT



B

B

C

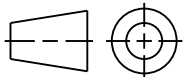
C

D

D

E

E



Scale:  
1:10

Technical Specification:  
ISO 2768 mK

Units of measure:  
mm

Document Description:

**CONNECT COOLING UNIT SIDE 3K2W 4KW**

Document Number:

**GEX8218002**

Doc.Rev.:  
**00.5**

Sheet:  
5/5

Released for Manufacturing  
Printed on 2024/06/12