

A

B

C

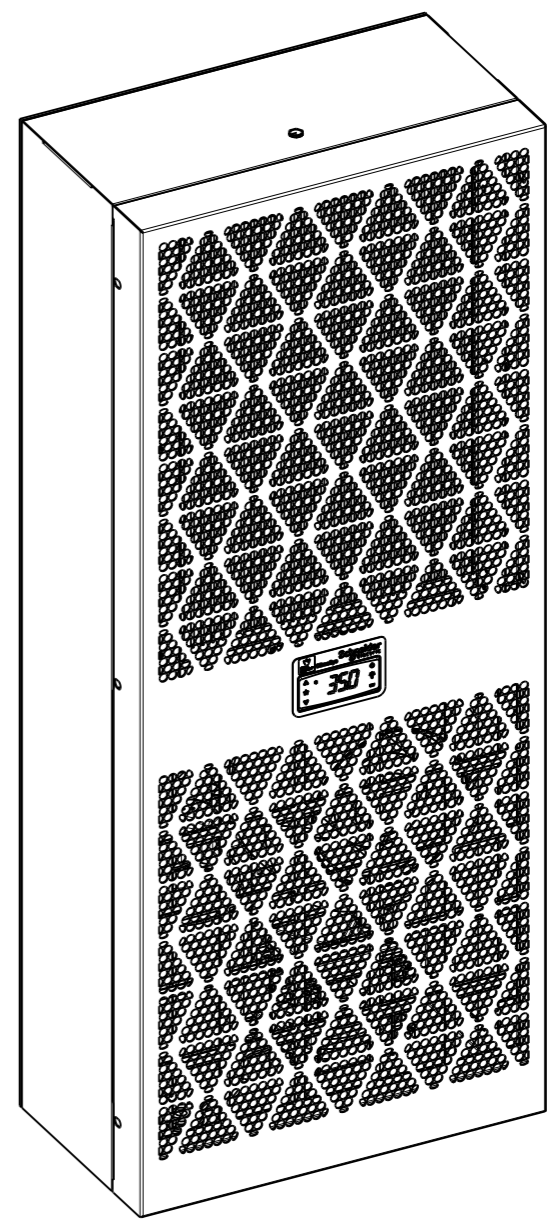
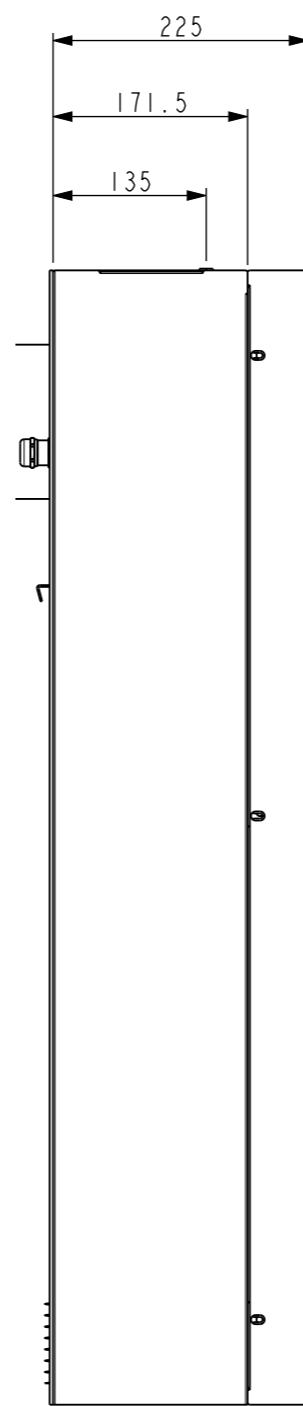
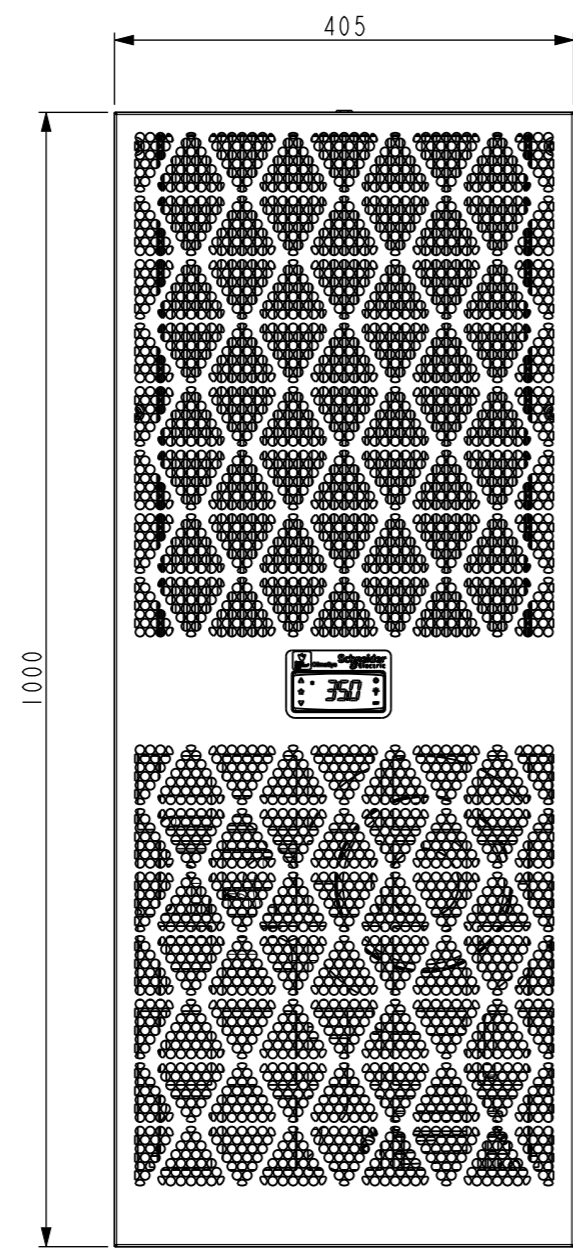
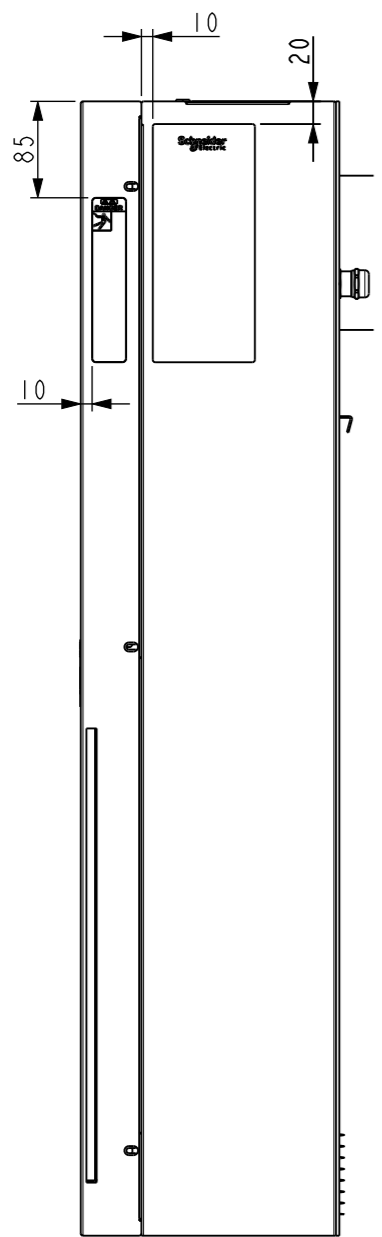
D

A

B

C

D



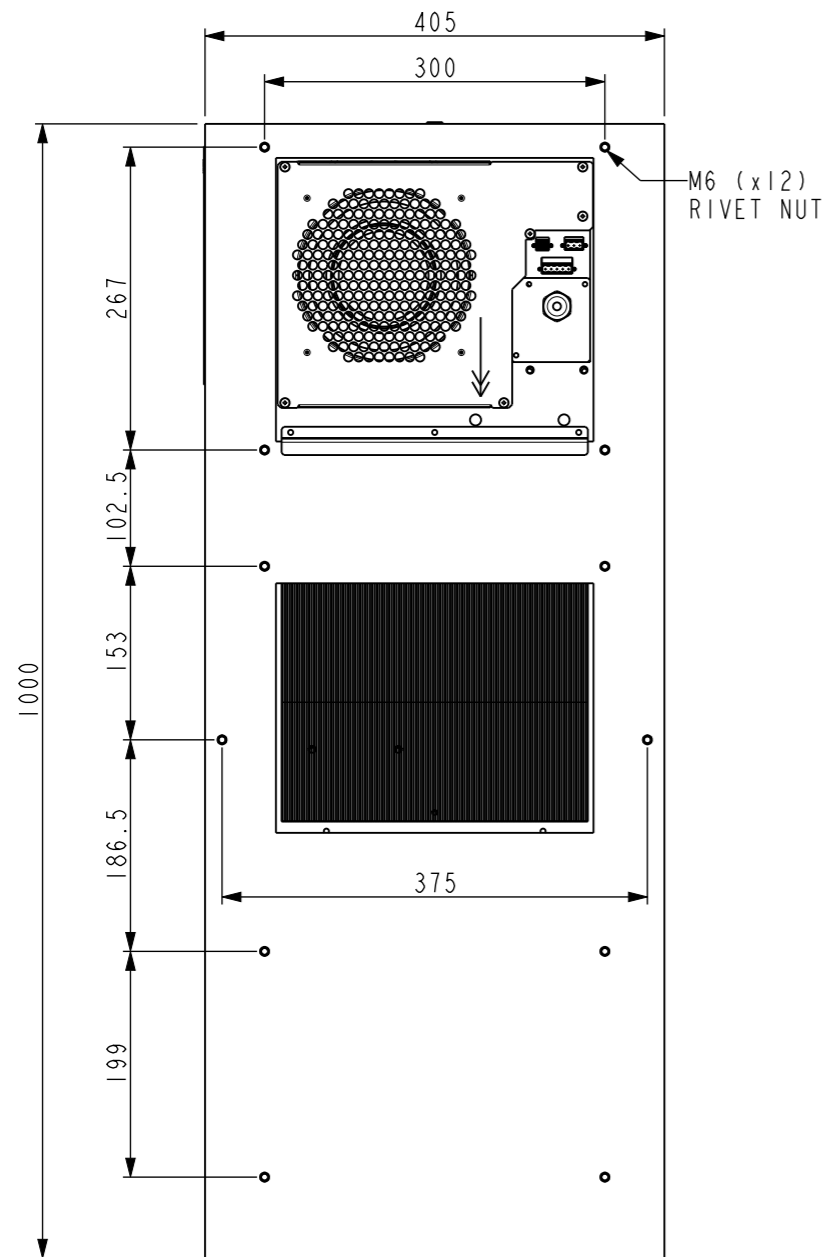
Commercial Reference	Weight
NSYCU1K2DG	39 kg
NSYCU1K22P4DG	44.5 kg
NSYCU1K6DG	39 kg
NSYCU1K62P4DG	44.5 kg
NSYCU2KDG	40.4 kg
NSYCU2K3P4DG	42.4 kg
NSYCU2K3P4DG	42.4 kg

	Scale: 0.150 Technical Specification:	Units of measure: mm
	Document Description: CONNECT COOLING UNIT SIDE 1K2W 1K6W 2KW	
Document Number: GEX8215402		Doc. Rev. Sheet: 00.14 1/5

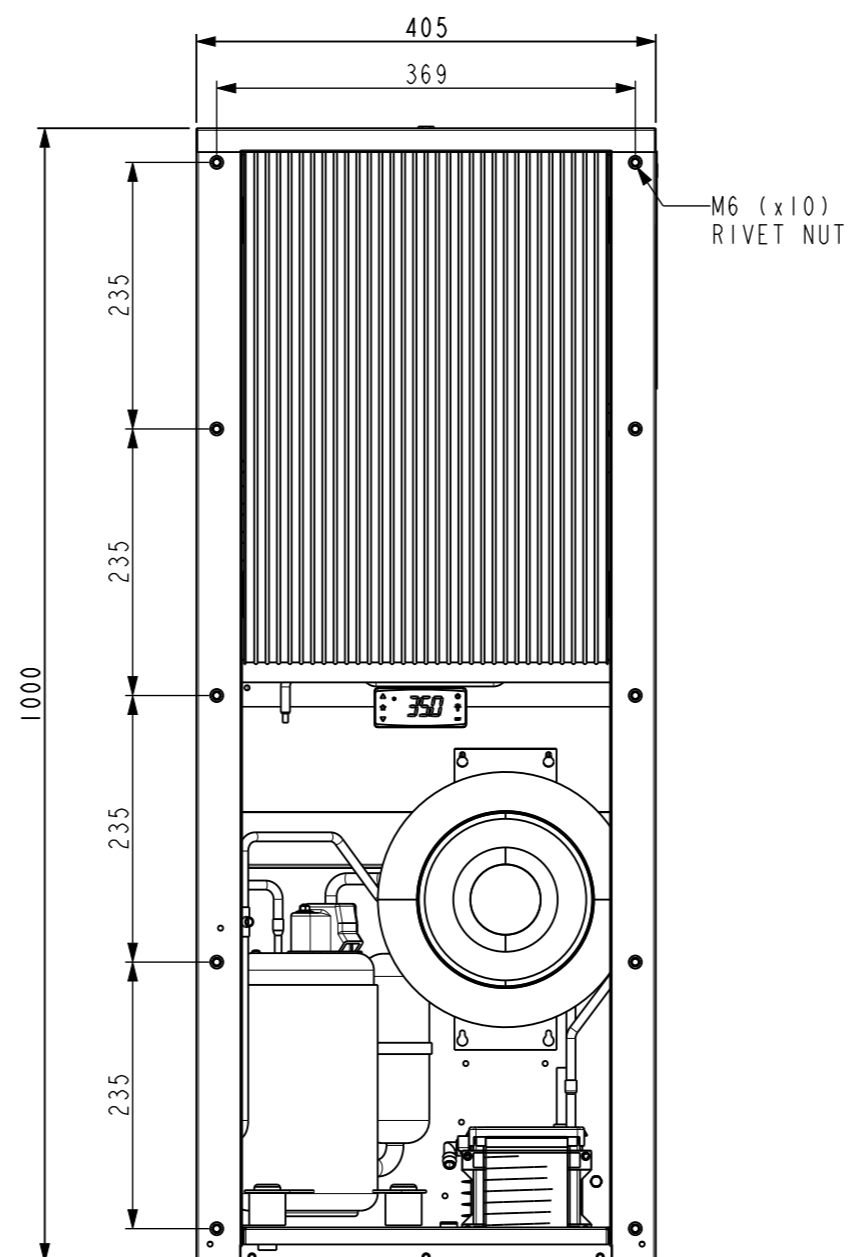
The information is highly confidential and is the exclusive property of Schneider Electric copyright reserved. This drawing must not be used for any purpose other than that expressly permitted in writing by the owners and must not be disclosed or reproduced in any way without permission from the owners in writing. This drawing must be returned to the owners when the purpose has ceased.

Released for Manufacturing
Printed on 2024/06/12

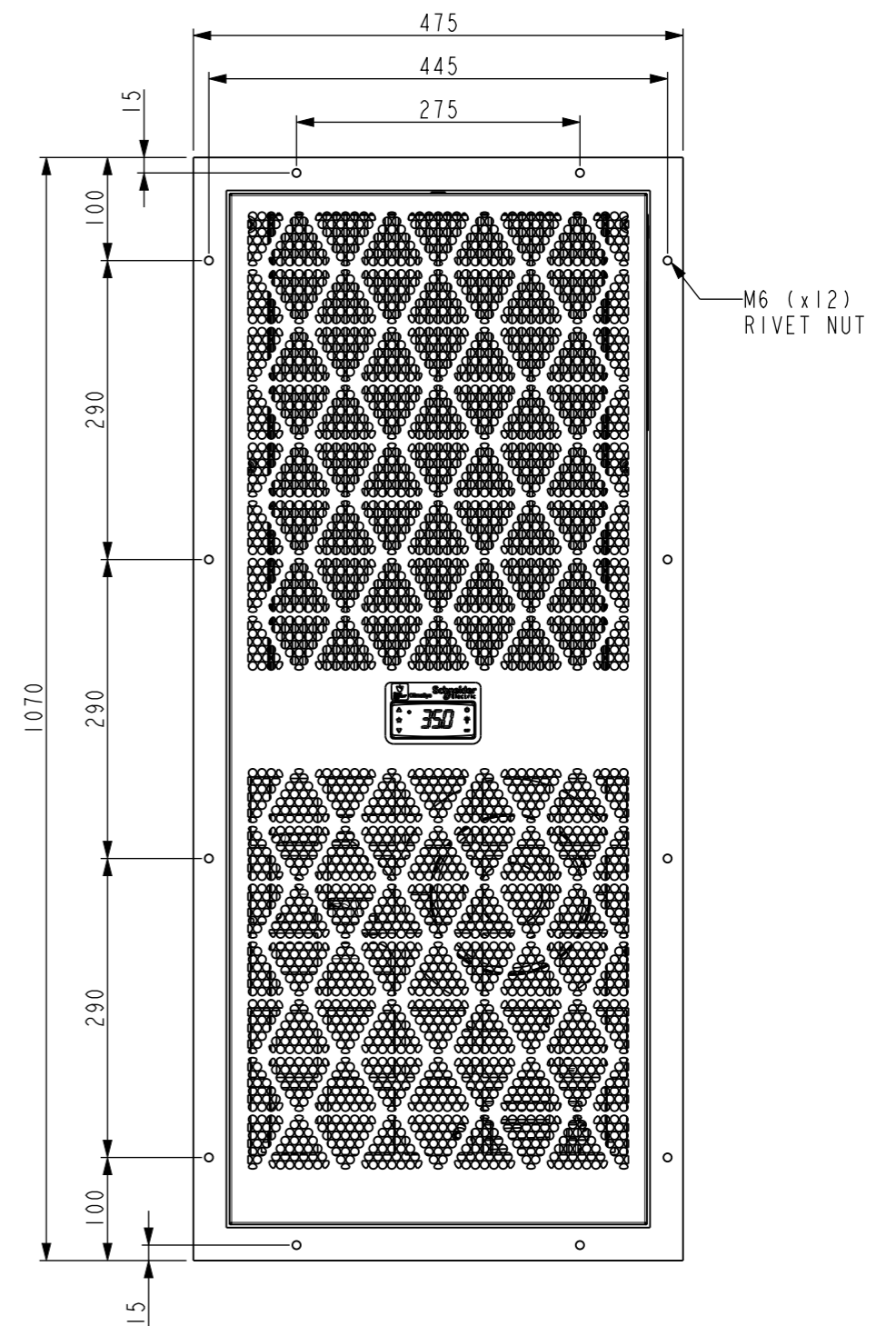
SURFACE MOUNTING
FIXING POINTS



FLUSH MOUNTING
FIXING POINTS



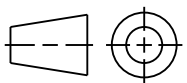
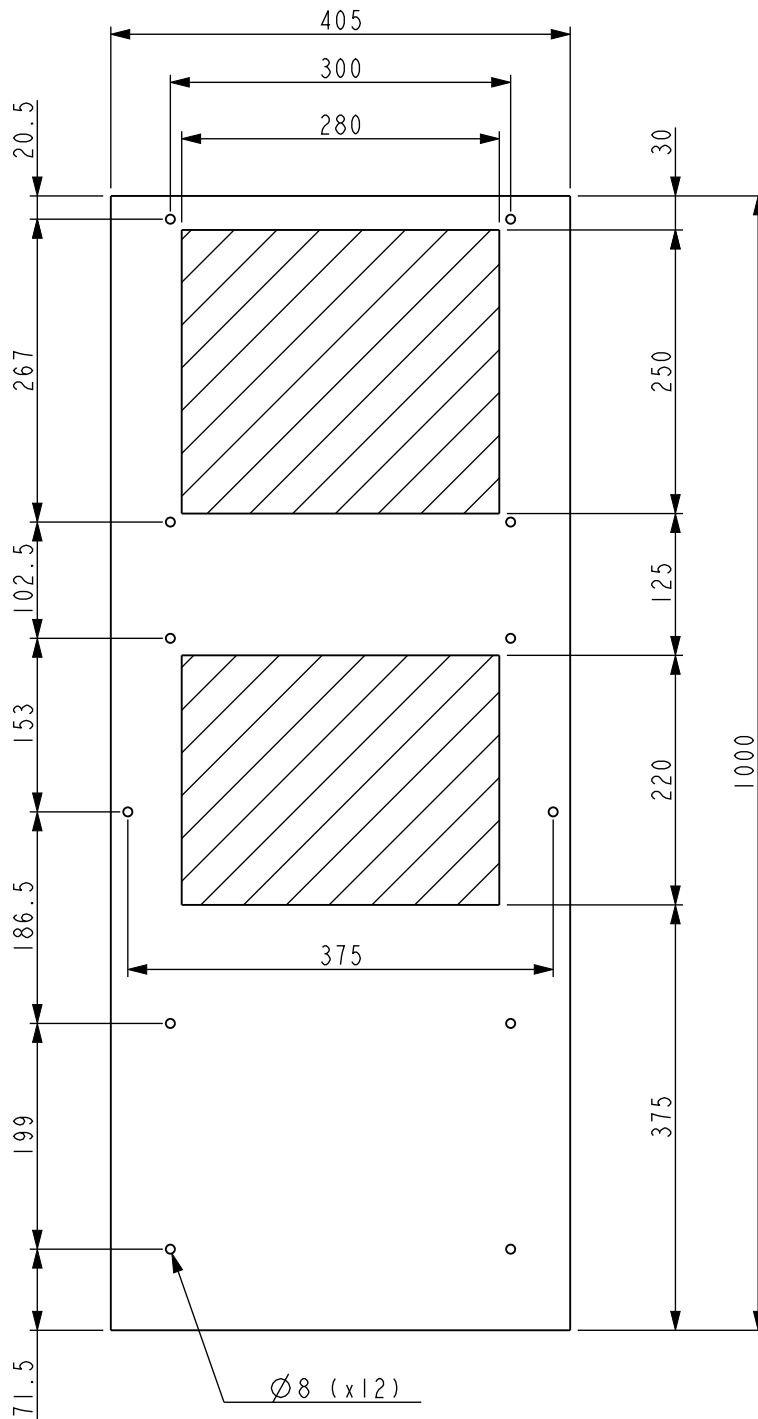
HALF-FLUSH MOUNTING
FIXING POINTS*



*Requires accessory:
NSYCUACC036DG for steel versions
NSYCUACC040DG for stainless steel

	Scale: 0.150	Technical Specification:	Units of measure: mm
		Document Description: CONNECT COOLING UNIT SIDE 1K2W 1K6W 2KW	Doc. Rev. Sheet: 00.14 2/5
		Document Number: GEX8215402	Released for Manufacturing Printed on 2024/06/12
<small>The information is highly confidential and is the exclusive property of Schneider Electric copyright reserved. This drawing must not be used for any purpose other than that expressly permitted in writing by the owners and must not be disclosed or reproduced in any way without permission from the owners in writing. This drawing must be returned to the owners when the purpose has ceased.</small>			

SURFACE MOUNTING CUT-OUT



Scale:
0.150

Technical Specification:
ISO 2768-mK

Units of measure: :
mm



Document Description:

CONNECT COOLING UNIT SIDE 1K2W 1K6W 2KW

Document Number:

GEX8215402

Doc.Rev.:
0004

Sheet:
3/5

The information is highly confidential and is the exclusive property of Schneider Electric copyright reserved. This drawing must not be used for any purpose other than that expressly permitted in writing by the owners and must not be disclosed or reproduced in any way without permission from the owners in writing. This drawing must be returned to the owners when the purpose has ceased.

Released for Manufacturing
Printed on 2024/06/12

1

2

3

4

A

A

B

B

C

C

D

D

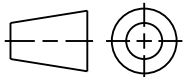
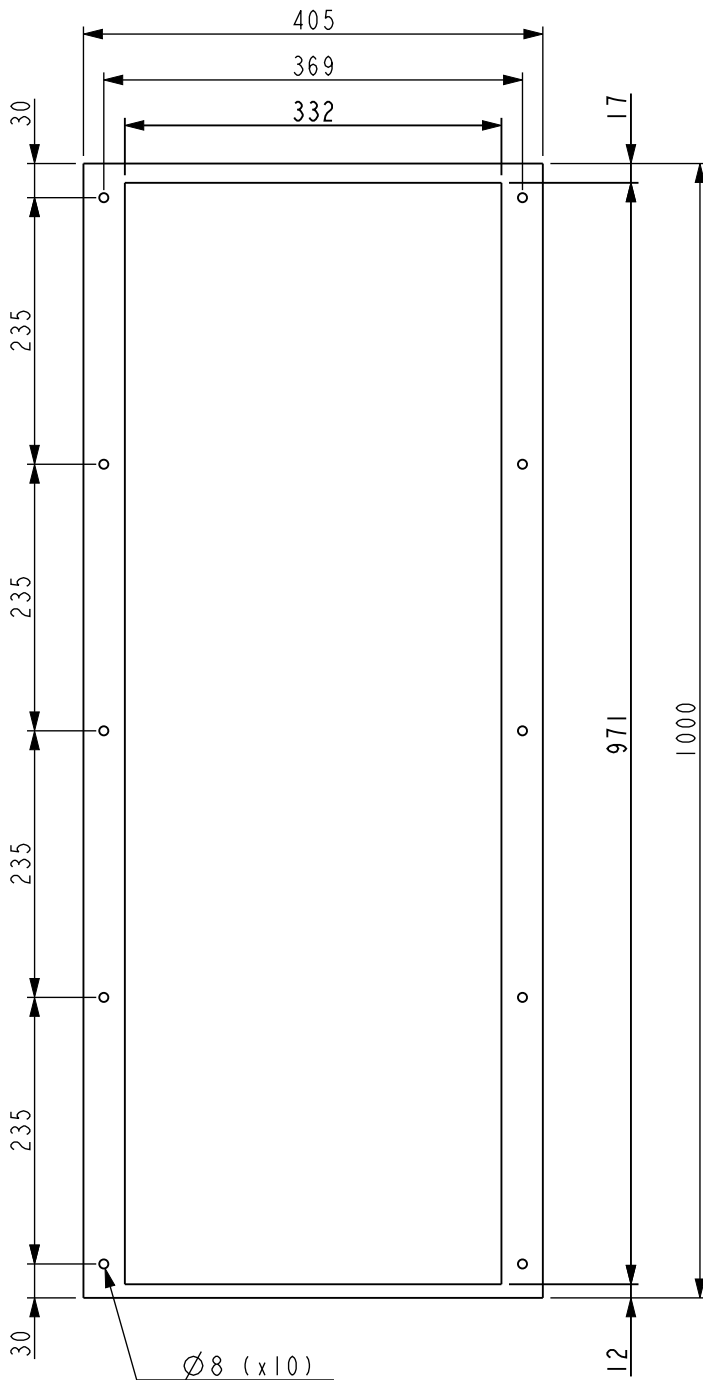
E

E

F

F

FLUSH MOUNTING CUT-OUT



Scale:
0.150

Technical Specification:
ISO 2768-mK

Units of measure: :
mm



Document Description:

CONNECT COOLING UNIT SIDE 1K2W 1K6W 2KW

Document Number:

GEX8215402

Doc.Rev.:
0004

Sheet:
4/5

The information is highly confidential and is the exclusive property of Schneider Electric copyright reserved. This drawing must not be used for any purpose other than that expressly permitted in writing by the owners and must not be disclosed or reproduced in any way without permission from the owners in writing. This drawing must be returned to the owners when the purpose has ceased.

Released for Manufacturing
Printed on 2024/06/12

