

# SpaceLogic Sensors

## SHO2 Series Outdoor Humidity Sensors



### Product Description

SpaceLogic SHO2 Series Humidity Transmitters provide an ideal solution for measuring relative humidity in a wide range of humidity conditions. All models are equipped with a solid state capacitive humidity sensor that is easy to replace in the field. The housing is weatherproof and intended for outdoor mounting.

The SHO2 is an all-in-one device combining humidity and temperature sensing. The device ensures a building's optimum temperature and humidity levels, resulting in greater energy efficiency.

Each device is an active sensor that converts a humidity or temperature measurement into an analog output: current output (4-20 mA) or voltage output (0 to 5 Vdc or 0 to 10 Vdc).

Different models are available based on application requirements for lower-cost installations.

### Features

- Easy to install:
  - Latch-on sensor cover
  - Screwless terminal block wiring with spring actuator
  - Mounting accessory adjusts probe length in duct
- Quick to commission with selectable outputs:
  - Analog DIP switch selectable output: 4 to 20 mA, 0 to 5 Vdc, 0 to 10 Vdc
  - 2-wire, 4-20 mA version for flexible system compatibility, saves time in the field
- 2% with NIST certificate, 2% RH module – field replaceable
- All passive temperature thermistor sensors include a 1-point measurement for offset correction
- Solid state temperature sensor providing high accuracy measurements
- Multiple temperature thermistors and transmitter options, compatible with a wide range of controllers
- 2-point calibration certificate available for humidity and temperature or temperature-only replaceable module
- Key component for the LEED green building program and WELL Building Standard\*

\*Leadership in Energy and Environmental Design (LEED) is a registered trademark of the US Green Building Council. The WELL Building Standard is a trademark of the International WELL Building Institute in the United States and other countries.

### Available Products

	User Interface	Output	RH Sensor	Temperature	
SHO2	X	A	2	□	
	X = None	A = Analog output	2 = 2%	A = Transmitter only C = 1000 PT RTD H = 10K T3 thermistor	

Example:

SHO2 X A 2 A

Note: Replaceable RH and temperature modules available to be ordered separately per table below.

USA: +1 888-444-1311  
 Europe: +46 10 478 2000  
 Asia: +65 6484 7877  
[www.schneider-electric.com](http://www.schneider-electric.com)

Life Is On



## Replaceable RH Elements & Temperature and Humidity Calibration Modules

Model	Description	Temp. Calibration	RH Calibration
SLXRHS2X	Replaceable RH sensor, 2%	N/A	2-point calibration
SLXRHS1N	Replaceable RH sensor, 1% with NIST certificate	N/A	2-point calibration
SLXXT2*	Replaceable temperature module with 2-point calibration certificate	2-point calibration	N/A
SLXRHT2*	Replaceable temperature and humidity module with 2-point calibration certificate	2-point calibration	2-point calibration

\*For use on temperature transmitter models only.

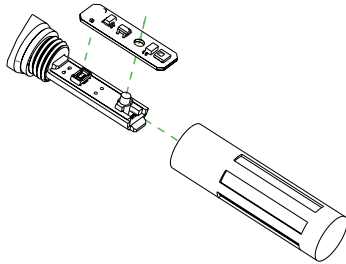
Note: For instructions on installing replaceable elements, see Z208536-0x, *Replacement Humidity and Temperature Sensors Installation Guide*.

### NOTICE

#### INACCURATE READINGS

- Avoid swapping the sensing element (located in the probe tip) between SCD2, SHD2 and SHO2 Series units.

**Failure to follow this instruction can lead to inaccurate readings and/or unexpected outputs.**



## Specifications

Operating and Storage Environment	
Operating temperature	-40 to 55 °C (-40 to 131 °F)
Operating humidity	0 to 95% RH (non-condensing)
Storage temperature	-40 to 60 °C (-40 to 140 °F)
Storage humidity	0 to 95% RH (non-condensing)
Power supply	3-wire volt mode: 20 to 30 Vdc, 24 Vac, 50 to 60 Hz; loop powered 20 to 30 Vdc
Output	Selectable 4 to 20 mA, 0 to 5 Vdc, 0 to 10 Vdc
Power consumption	0.8VA @ 24VAC Voltage Mode 0.96W @ 24V DC Current Mode
Output load	Voltage mode ≥ 5K Ohms Current mode ≤ 250 Ohms
Medium	Neutral gas, air
Housing material	Polycarbonate; Flammability rating UL 94 V0
Mounting location	For outdoor use

IP rating	IP 65
Protection class	Class III

Humidity Sensor	
Sensor type	Solid state capacitive, replaceable
Accuracy*	±2% from 10 to 80% RH @ 25 °C (77 °F) ±2% NIST and 2% replaceable option
Hysteresis	1.5% typical
Linearity	Included in accuracy specification
Stability	±1% @ 20°C (68 °F) annually for 2 years
Output range	0 to 100% RH
Temperature coefficient	±0.1% RH/°C above or below 25 °C (77 °F) typical

Temperature Sensor	
Sensor type	Solid state, integrated circuit
Temp. sensing element**	10K T3 thermistor, 1000 PT RTD
Time constant	Air velocity 1.5 m/s. approx. 72 s; Air velocity 3.0 m/s. approx. 52 s
Accuracy***	±0.2 °C (±0.4 °F) typical
Resolution	0.1 °C (0.1 °F)
Range	-40 to 55 °C (-40 to 131 °F)

Wiring Terminals	
Wiring	Screwless terminal block with spring actuator, 16-24 AWG

Warranty	
Limited warranty	2 years

Regulatory Information	
Agency approvals	UL 916 European conformance CE: EN 60730-1, EN 61000-6-2, EN 61000-6-3, EN 61000 Series - Industrial Immunity, EN 61326-1 FCC Part 15 Class A Green Premium (REACH, RoHS), RoHS 2 (China), RCM (Australia), ICES-001 (Canada), UKCA (UK)

\* Humidity sensor measurement uncertainty should include: accuracy, hysteresis, temperature coefficient and stability. Humidity accuracy range up to -20 °C.

\*\* See thermistor table GEX9732701 for accuracy.

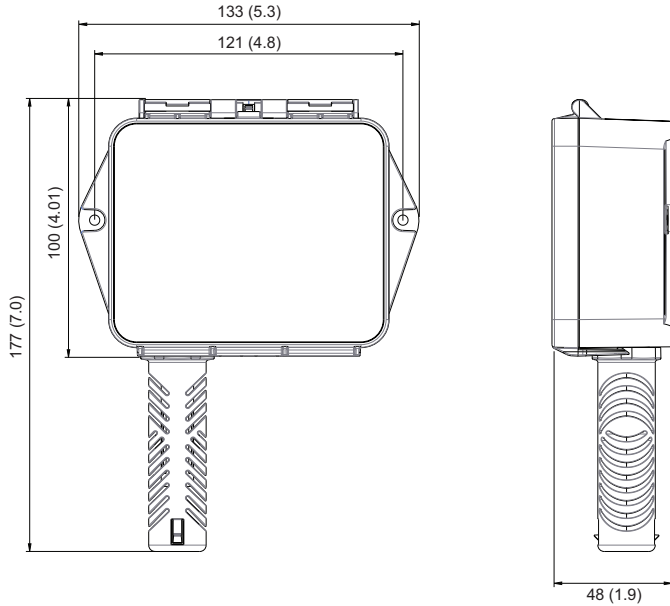
\*\*\* ±0.5 °C accuracy from 0 to 55°C, ±1°C accuracy from -40 to 0 °C.

USA: +1 888-444-1311  
Europe: +46 10 478 2000  
Asia: +65 6484 7877  
www.schneider-electric.com

Life Is On

Schneider  
Electric

### Dimensions mm (in.)



### Safety Information Important Information

Read these instructions carefully and look at the equipment to become familiar with the device before trying to install, operate, service or maintain it. The following special message may appear throughout this bulletin or on the equipment to warn of potential hazards or to call attention to information that clarifies or simplifies a procedure.

**NOTICE**

NOTICE is used to address practices not related to physical injury.

**⚠ WARNING**

WARNING indicates a hazardous situation which, if not avoided could result in death or serious injury.

### Please Note

Electrical equipment should be installed, operated, serviced and maintained only by qualified personnel. No responsibility is assumed by Schneider Electric for any consequences arising out of the use of this material.

A qualified person is one who has the skills and knowledge related to the construction, installation and operation of electrical equipment and has received safety training to recognize and avoid the hazards involved.

### Safety Precautions

**⚠ WARNING**

**HAZARD OF ELECTRIC SHOCK, EXPLOSION OR ARC FLASH**

- Apply appropriate personal protective equipment (PPE) and follow safe electrical work practices. See NFPA 70E or CSA Z462.
- This equipment must only be installed and serviced by qualified electrical personnel.
- Turn off all power supplying this equipment before working on or inside equipment.
- Always use a properly rated voltage sensing device to confirm power is off.
- Replace all devices, doors and covers before turning on power to this equipment.

**Failure to follow these instructions can result in death, serious injury or equipment damage.**

This product is intended for use in HVAC and building environmental control applications.

It is not intended for direct medical monitoring of patients.

It is not designed for life-safety applications.

Read and understand these instructions before installing this product.

The installer is responsible for all applicable codes.

If this product is used in a manner not specified by the manufacturer, the protection provided by the product may be impaired. No responsibility is assumed by the manufacturer for any consequences arising out of the use of this material.

### Installation

**NOTICE**

**INCORRECT PRODUCT INSTALLATION**

- Choose an outdoor location in a sheltered area, out of direct sunlight.
- Mount unit with probe pointing down. Unit may be suspended by conduit. Do not obstruct vent openings.

**Failure to follow these instructions will lead to incorrect sensor readings.**

**NOTICE**

**PRODUCT DAMAGE DUE TO ELECTRO-STATIC DISCHARGE**  
**Circuit boards and components can be damaged by static electricity or electro-static discharge (ESD). Observe the following electro-static precautions when handling this product and cables and components connected to the product.**

- Keep static-producing material such as plastic, upholstery, carpeting, etc. out of the immediate work area.
- Store the product in ESD-protective packaging when it is not installed in the panel
- When handling the product or a conductive cable/ESD-sensitive component connected to the product, wear a conductive wrist strap connected to ground through a minimum of 1 MΩ resistance
- Do not touch exposed conductors and component leads with skin or clothing.

**Failure to follow these instructions can result in equipment damage.**

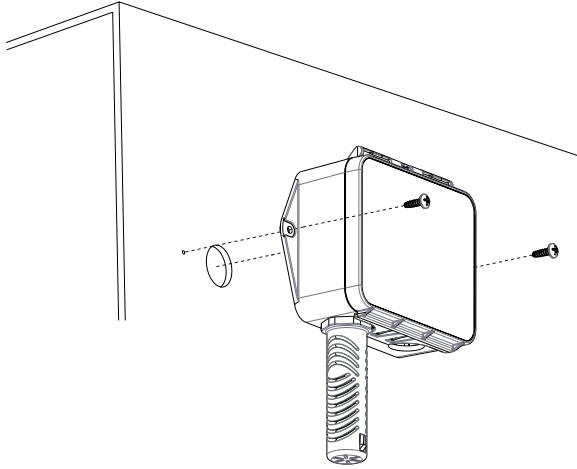
USA: +1 888-444-1311  
 Europe: +46 10 478 2000  
 Asia: +65 6484 7877  
 www.schneider-electric.com

Life Is On

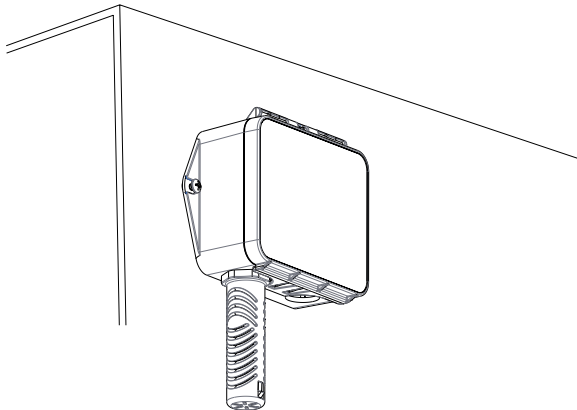


### Installation (cont.)

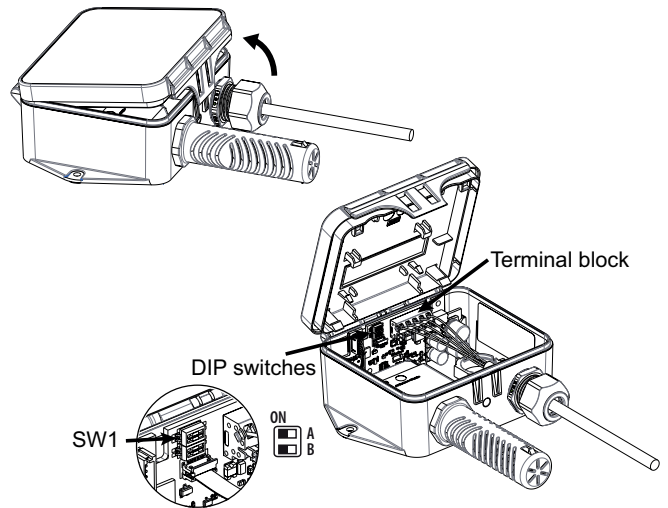
1. Prepare the installation by drilling holes on the wall. Ensure the gasket on the back is depressed to prevent leakage between the product and the wall. Do not over-tighten the screws.



2. Ensure the probes are installed on the wall with no obstruction to airflow around the probe.

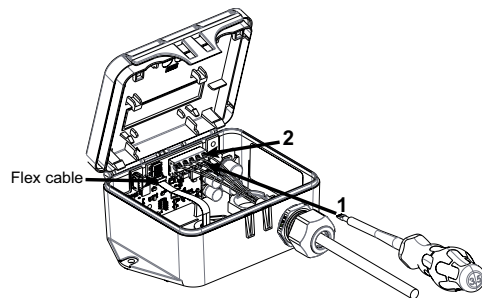


3. Release the latch on the lid to access the DIP switches and terminal block.



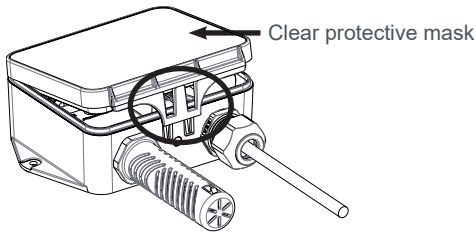
4. Wire the connections according to the diagram in the Wiring section. This device features spring terminals for screwless termination. Open the terminal point by inserting a screwdriver (#1 in diagram), then insert the wire above (#2 in diagram). Release the screwdriver to hold the wire in place. Details on wiring and configuration are contained in the next sections of this document.

<b>NOTICE</b>
<p><b>MISSING TEMPERATURE &amp; HUMIDITY READINGS</b></p> <ul style="list-style-type: none"> <li>• Ensure flex cable is in place after wiring.</li> </ul> <p><b>Failure to follow these instructions can result in no temperature or humidity readings.</b></p>



### Installation (cont.)

- Secure the latch-on cover in the closed position and remove the clear protective mask on the front label of the device.



### Wiring

NOTICE

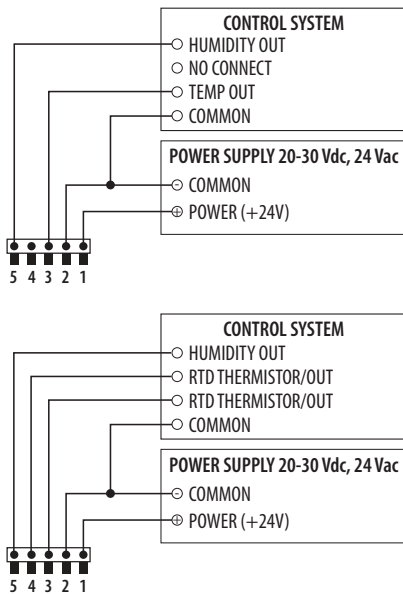
**INACCURATE READINGS**

- Do not run wiring in the same conduit as AC power wiring. Close proximity to AC power may influence accuracy.

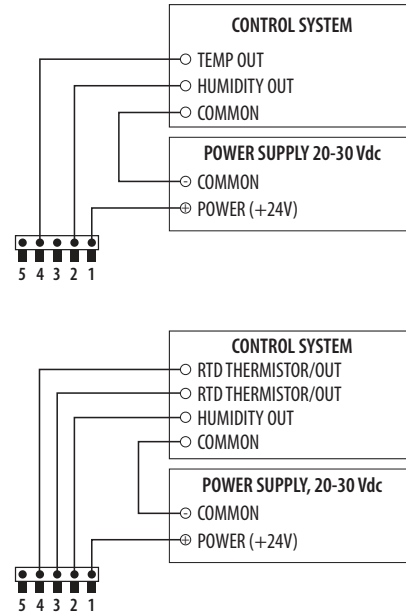
**Failure to follow these instructions can result in reduced accuracy and incorrect readings.**

### Wiring Diagrams

#### Voltage Mode



#### Current Mode



### Configuration

NOTICE

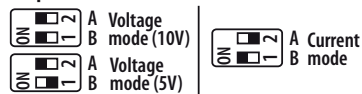
**PRODUCT DAMAGE**

- Ensure DIP switch configuration is consistent with wiring before powering the unit.
- In current mode, do not use AC power supply. Use 20-30 Vdc.
- Do not miswire the product or short the outputs.

**Failure to follow these instructions can result in product damage.**

Set the DIP switches. White squares in the diagram below indicate switch position.

#### Output Mode



Switch	Function	Description
A	Output mode	ON - 4-20mA output mode enabled
		OFF - Voltage output mode enabled
B	Voltage output	ON - 0-5V output range enabled
		OFF 0-10V output range enabled

Standard RTD and Thermistor Values ( $\Omega$ )

°C	°F	1000 $\Omega$	10k Type 3
		RTD (PTC)	Thermistor (NTC)
-50	-58	803.06	441,300
-40	-40	842.71	239,800
-30	-22	882.22	135,200
-20	-4	921.6	78,910
-10	14	960.86	47,540
0	32	1,000.00	29,490
10	50	1,039.03	18,790
20	68	1,077.94	12,260
25	77	1,097.35	10,000
30	86	1,116.73	8,194
40	104	1,155.41	5,592
50	122	1,193.97	3,893
60	140	1,232.42	2,760
70	158	1,270.75	1,990
80	176	1,308.97	1,458
90	194	1,347.07	1,084
100	212	1,385.06	816.8
110	230	1,422.93	623.6
120	248	1,460.68	481.8
130	266	1,498.32	376.4
Sensor Codes		C	H

China RoHS Compliance Information  
Environment-Friendly Use Period (EFUP) Table

部件名称 Part Name	有害物质 - Hazardous Substances					
	铅 (Pb)	汞 (Hg)	镉 (Cd)	六价铬 (Cr (VI))	多溴联苯 (PBB)	多溴二苯醚 (PBDE)
电子件 Electronic	X	O	O	O	O	O

本表格依据SJ/T11364的规定编制。

O: 表示该有害物质在该部件所有均质材料中的含量均在GB/T 26572规定的限量要求以下。

X: 表示该有害物质至少在该部件的某一均质材料中的含量超出GB/T 26572规定的限量要求。


(企业可在此处, 根据实际情况对上表中打“X”的技术原因进行进一步说明。)

This table is made according to SJ/T 11364.

O: indicates that the concentration of hazardous substance in all of the homogeneous materials for this part is below the limit as stipulated in GB/T 26572.

X: indicates that concentration of hazardous substance in at least one of the homogeneous materials used for this part is above the limit as stipulated in GB/T 26572

Z000057-0B

<b>Schneider Electric Limited</b> Stafford Park 5 Telford TF3 3BL United Kingdom	
---	---

USA: +1 888-444-1311  
 Europe: +46 10 478 2000  
 Asia: +65 6484 7877  
[www.schneider-electric.com](http://www.schneider-electric.com)

Life Is On

**Schneider**  
Electric