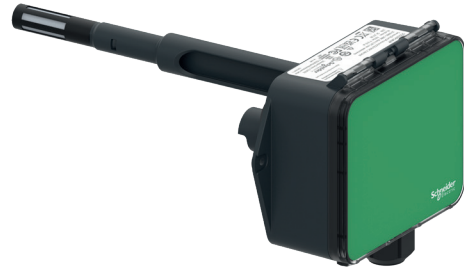


SpaceLogic Sensors

SCD2 Series Air Quality Sensors – Analog



Product Description

SpaceLogic SCD2 Series Air Quality Sensors are duct mount all-in-one sensors for monitoring air quality. The device combines CO₂, temperature, humidity, VOC and particulate matter (PM)* sensing into a single unit to ensure a building's optimum air quality and energy efficiency.

Each device is an active sensor that converts a measurement into 4-20 mA, 0 to 5 Vdc or 0 to 10 Vdc analog output.

Different models are available based on application requirements for lower-cost installations.

Features

- Field calibratable, non-dispersive infrared CO₂ sensor
 - NDIR-based, dual-channel device compensates for drift and deterioration for high-accuracy output
- Solid state capacitive humidity sensor element recovers from 100% saturation
- Solid state temperature sensor provides high accuracy measurements
- Laser-scatter type PM sensor featuring innovative contamination resistance technology for highly accurate measurement of particulate matter*
- Automatic Background Calibration for improved accuracy and field performance
- Easy to install:
 - Latch-on sensor cover
 - Screwless terminal block wiring with spring actuator
 - Rotating probe for best alignment with air flow
- Quick to commission with DIP switch selectable outputs
- 1% or 2% with NIST certificate, 2% RH module – replaceable in the field
- All passive temperature thermistor sensors include a 1-point measurement for offset correction
- 2-point calibration certificate available for humidity and temperature or temperature-only replaceable module
- Key component for the LEED green building program and WELL Building Standard**

*PM sensing available on SCD2 Series protocol models only.

**Leadership in Energy and Environmental Design (LEED) is a registered trademark of the US Green Building Council. The WELL Building Standard is a trademark of the International WELL Building Institute in the United States and other countries.

USA: +1 888-444-1311
 Europe: +46 10 478 2000
 Asia: +65 6484 7877
www.schneider-electric.com

Life Is On

Schneider
 Electric

Available Products

Model Number	2% RH Sensor	Temp. Transmitter	1000 PT RTD	10K T3	NDIR CO2	VOC
SCD2XA2ACX	X	X			X	
SCD2XA2CCX	X		X		X	
SCD2XA2HCX	X			X	X	
SCD2XAXACX		X			X	
SCD2XAXCCX			X		X	
SCD2XAXHCX				X	X	
SCD2XAXXVX					X	X

*Note: Replaceable RH and temperature modules available to be ordered separately per table below.

Replaceable RH Elements & Temperature and Humidity Calibration Modules

Model	Description	Temp. Calibration	RH Calibration
SLXRHS2N*	Replaceable RH sensor, 2% with NIST certificate	N/A	2-point calibration
SLXRHS2X	Replaceable RH sensor, 2%	N/A	2-point calibration
SLXRHS1N	Replaceable RH sensor, 1% with NIST certificate	N/A	2-point calibration
SLXXT2**	Replaceable temperature module with 2-point calibration certificate	2-point calibration	N/A
SLXRHT2**	Replaceable temperature and humidity module with 2-point calibration certificate	2-point calibration	2-point calibration

*Not for use with SHO2 Series outdoor humidity sensors.

**For use on temperature transmitter models only.

Note: For instructions on installing replaceable elements, see Z208536-0x, *Replacement Humidity and Temperature Sensors Installation Guide*.

Safety Information

Important Information

Read these instructions carefully and look at the equipment to become familiar with the device before trying to install, operate, service or maintain it. The following special message may appear throughout this bulletin or on the equipment to warn of potential hazards or to call attention to information that clarifies or simplifies a procedure.

NOTICE

NOTICE is used to address practices not related to physical injury.

⚠ WARNING

WARNING indicates a hazardous situation which, if not avoided could result in death or serious injury.

Please Note

Electrical equipment should be installed, operated, serviced and maintained only by qualified personnel. No responsibility is assumed by Schneider Electric for any consequences arising out of the use of this material.

A qualified person is one who has the skills and knowledge related to the construction, installation and operation of electrical equipment and has received safety training to recognize and avoid the hazards involved.

Safety Precautions

⚠ WARNING



HAZARD OF ELECTRIC SHOCK, EXPLOSION OR ARC FLASH

- Apply appropriate personal protective equipment (PPE) and follow safe electrical work practices. See NFPA 70E or CSA Z462.
- This equipment must only be installed and serviced by qualified electrical personnel.
- Turn off all power supplying this equipment before working on or inside equipment.
- Always use a properly rated voltage sensing device to confirm power is off.
- Replace all devices, doors and covers before turning on power to this equipment.

Failure to follow these instructions can result in death, serious injury or equipment damage.

This product is intended for use in HVAC and building environmental control applications.

It is not intended for direct medical monitoring of patients.

It is not designed for life-safety applications.

Read and understand these instructions before installing this product.

The installer is responsible for all applicable codes.

If this product is used in a manner not specified by the manufacturer, the protection provided by the product may be impaired. No responsibility is assumed by the manufacturer for any consequences arising out of the use of this material.

USA: +1 888-444-1311
 Europe: +46 10 478 2000
 Asia: +65 6484 7877
 www.schneider-electric.com

Life Is On



Specifications

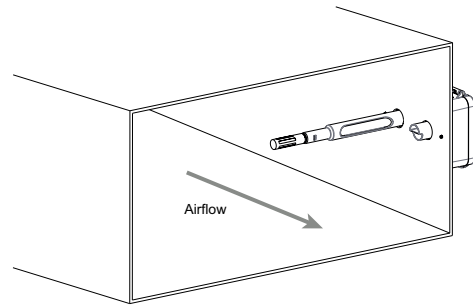
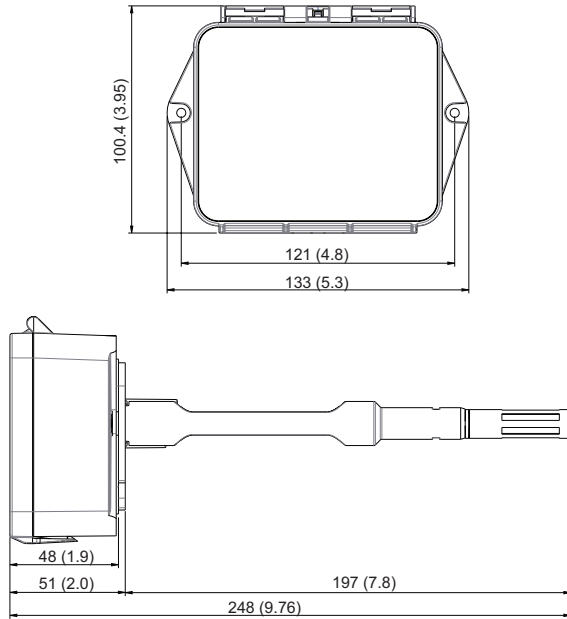
Operating and Storage Environment		
Operating temperature	0 to 50 °C (32 to 122 °F)	
Operating humidity	0 to 95% RH (non-condensing)	
Storage temperature	-25 to 70 °C (-13 to 158 °F)	
Storage humidity	0 to 95% RH (non-condensing)	
Power supply	3-wire volt mode: 20 to 30 Vdc, 24 Vac, 50 to 60 Hz	
Output	Selectable 4 to 20 mA, 0 to 5 Vdc, 0 to 10 Vdc	
Power consumption	See Maximum Power Consumption table, page 6	
Tube length	200 mm	
Medium	Neutral gas, air	
Housing material	Polycarbonate; Flammability rating UL 94 V0	
Mounting location	For indoor use only. Not suitable for wet locations.	
IP rating	IP 65	
Protection class	Class III	
CO ₂ Sensor		
Sensor type	Non-dispersive infrared (NDIR), diffusion sampling	
Output range	0 to 2000/5000 ppm (selectable)	
Accuracy	±30 ppm ±3% of measured value	
Repeatability	±20 ppm ±1% of measured value	
Response time	<60 seconds for 90% step change	
Calibration	Field calibration support	
VOC Sensor Option		
Sensor type	Solid state	
Output range	0 to 100% AQI for VOC	
Accuracy	±15% sensor-to-sensor variation	
AQI table	Level	Ventilation Recommendation
	>61%	Greatly increased
	20 to 61%	Significantly increased
	10 to 20%	Slightly increased
	5 to 10%	Average
0 to 5%	Target value	
RH Sensor Option		
Sensor type	Solid state capacitive, replaceable	
Accuracy*	±2% from 10 to 80% RH @ 25 °C (77 °F) ±1%, ±2% replaceable models	
Hysteresis	1.5% typical	
Linearity	Included in accuracy specification	
Stability	±1% @ 20°C (68 °F) annually for 2 years	
Output range	0 to 100% RH	
Temperature coefficient	±0.1% RH/°C above or below 25 °C (77 °F) typical	
Temperature Sensor Option		
Sensor transmitter type	Solid state, integrated circuit	
Temp. sensing element**	10K T3 thermistor, 1000 PT RTD	
Time constant	Air velocity 1.5 m/s. approx. 72 s; Air velocity 3.0 m/s. approx. 52 s	
Accuracy***	±0.2 °C (±0.4 °F) typical at 25 °C	
Resolution	0.1 °C (0.1 °F)	
Range	0 to 50 °C (32 to 131 °F)	
Wiring		
Wiring	Screwless terminal block with spring actuator, 16-24 AWG	
Warranty		
Limited warranty	2 years	
Regulatory Information		
Agency approvals	UL 916	
	European conformance CE: EN 60730-1, EN 61000-6-2, EN 61000-6-3, EN 61000 Series - Industrial Immunity, EN 61326-1	
	FCC Part 15 Class A	
	Green Premium (REACH, RoHS), RoHS 2 (China), RCM (Australia), ICES-003 (Canada), UKCA (UK), EAC (Russia)	
* Humidity sensor measurement uncertainty should include: accuracy, hysteresis, temperature coefficient and stability.		
** See Standard RTD and Thermistor Values table on page 6 for accuracy.		
*** ±0.5 °C over full operating range.		

USA: +1 888-444-1311
Europe: +46 10 478 2000
Asia: +65 6484 7877
www.schneider-electric.com

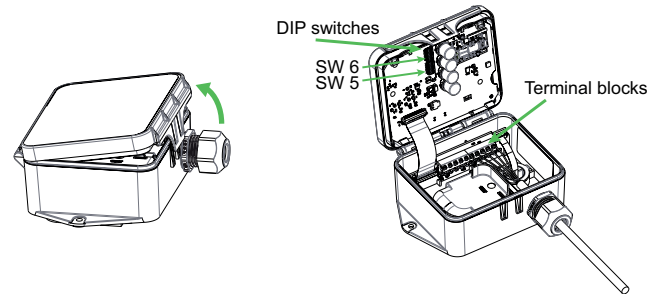
Life Is On

Schneider
Electric

Dimensions mm (in.)

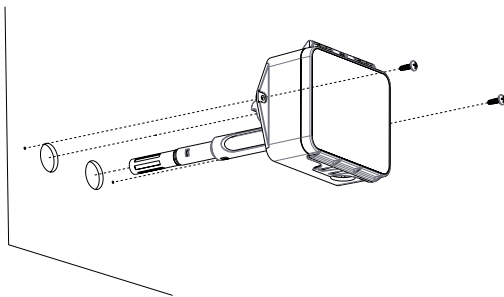
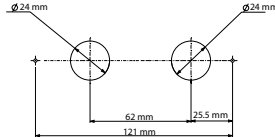


- Release the latch on the lid to access the DIP switches and terminal block.



Installation

- Prepare the duct for installation by drilling holes to accommodate the probe tubes for the CO₂/VOC intake. Ensure the gasket on the back is depressed to prevent leakage between the product and the duct. Do not over-tighten the screws.



- Ensure the probes are installed in the direction of the air flow. Install the probe in the middle of the duct and away from any restrictions to allow proper air flow.

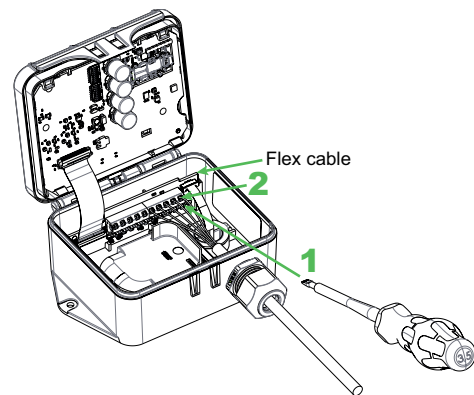
- Wire the connections according to the diagram in the Wiring section. This device features spring terminals for screwless termination. Open the terminal point by inserting a screwdriver, then insert the wire above. Release the screwdriver to hold the wire in place. Details on wiring and configuration are contained in the next sections of this document.

NOTICE

MISSING TEMPERATURE & HUMIDITY READINGS

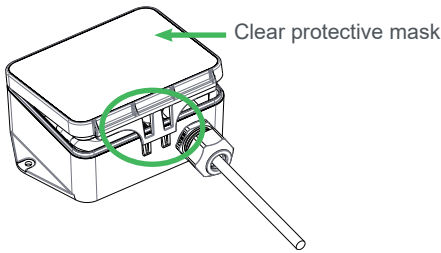
- Ensure flex cable is in place after wiring.

Failure to follow these instructions can result in no temperature or humidity readings.

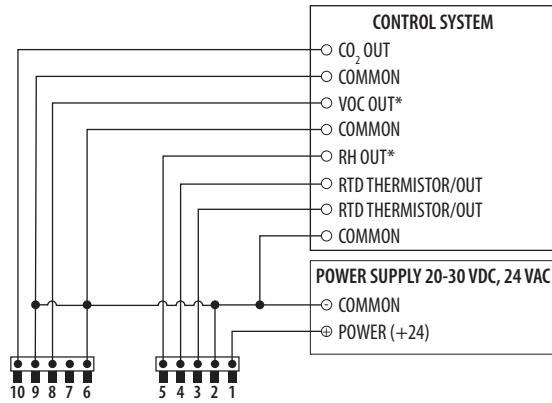


Installation (cont.)

- Secure the latch-on cover in the closed position and remove the clear protective mask on the front label of the device.



Wiring



*Used when related sensor is available on the selected model.

NOTICE

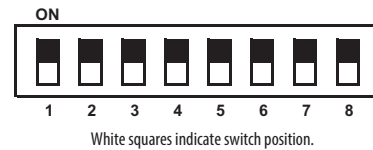
PRODUCT DAMAGE DUE TO ELECTRO-STATIC DISCHARGE
 Circuit boards and components can be damaged by static electricity or electro-static discharge (ESD). Observe the following electro-static precautions when handling this product and cables and components connected to the product.

- Keep static-producing material such as plastic, upholstery, carpeting, etc. out of the immediate work area.
- Store the product in ESD-protective packaging when it is not installed in the panel
- When handling the product or a conductive cable/ESD-sensitive component connected to the product, wear a conductive wrist strap connected to ground through a minimum of 1 MΩ resistance
- Do not touch exposed conductors and component leads with skin or clothing.

Failure to follow these instructions can result in equipment damage.

DIP Switch Configuration

Set the DIP switches (SW5).



Switch	Description	OFF	ON
1	Output Mode	Voltage	Current
2	Voltage Range	10V	5V
3	CO ₂ Range	5000 ppm	2000 ppm
4	ABC Enable	OFF	ON
5*	Temperature Units	°C	°F
6, 7, 8	Not Used	Not Used	Not Used

*Used when related sensor is available on the selected model.

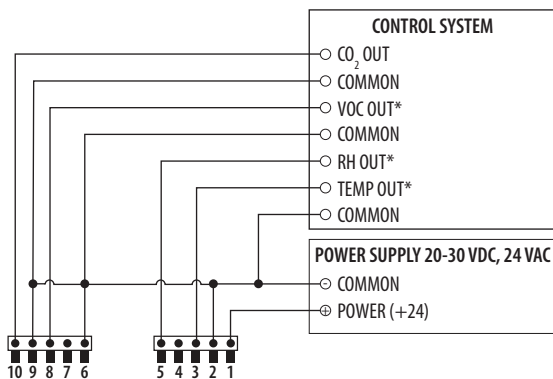
NOTICE

INACCURATE READINGS

- Do not run wiring in the same conduit as AC power wiring. Close proximity to AC power may influence accuracy.

Failure to follow these instructions can result in reduced accuracy.

Wiring Diagrams



*Used when related sensor is available on the selected model.

USA: +1 888-444-1311
 Europe: +46 10 478 2000
 Asia: +65 6484 7877
www.schneider-electric.com

Life Is On

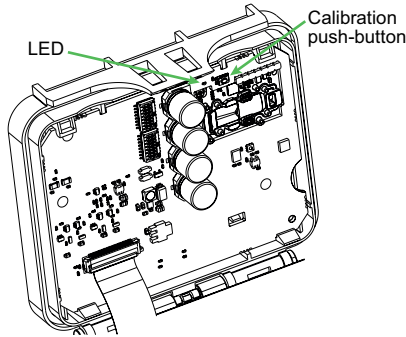


CO₂ Sensor Calibration

There are two methods for CO₂ calibration available: 400 ppm baseline calibration and automatic baseline calibration (ABC).

400 ppm Baseline Calibration

400 ppm baseline calibration allows the sensor to be set at 400 ppm. Push and hold the calibration button for 3 to 5 seconds. The LED will flash green. Once the button is released, calibration is complete and the LED switches off.



Automatic Baseline Calibration (ABC)

The ABC mode addresses the 400 ppm calibration. It allows turning on or off a background correction/recovery mode that will minimize any calibration error that has been caused by shock during handling and transportation or is caused by a long term shift in measurement. The ABC algorithm constantly keeps track of the sensor’s lowest reading over a preconfigured time interval and slowly corrects for any long-term drift detected as compared to the expected fresh air value of 400 ppm. After initial startup, it is expected that the sensor reaches specified accuracy after 7 to 21 days.

Maximum Power Consumption

Series	LCD	CO ₂ /VOC	Temp./RH	Max. Power
SCD2	No	Yes	Yes	6 VA
Analog	No	Yes	No	4 VA

Standard RTD and Thermistor Values (Ω)

°C	°F	1000 Ω	10k Type 3
		RTD (PTC)	Thermistor (NTC)
-50	-58	803.06	441,300
-40	-40	842.71	239,800
-30	-22	882.22	135,200
-20	-4	921.6	78,910
-10	14	960.86	47,540
0	32	1,000.00	29,490
10	50	1,039.03	18,790
20	68	1,077.94	12,260
25	77	1,097.35	10,000
30	86	1,116.73	8,194
40	104	1,155.41	5,592
50	122	1,193.97	3,893
60	140	1,232.42	2,760
70	158	1,270.75	1,990
80	176	1,308.97	1,458
90	194	1,347.07	1,084
100	212	1,385.06	816.8
110	230	1,422.93	623.6
120	248	1,460.68	481.8
130	266	1,498.32	376.4
Sensor Codes		C	H

China RoHS Compliance Information

Environment-Friendly Use Period (EFUP) Table

部件名称 Part Name	有害物质 - Hazardous Substances					
	铅 (Pb)	汞 (Hg)	镉 (Cd)	六价铬 (Cr (VI))	多溴联苯 (PBB)	多溴二苯醚 (PBDE)
电子件 Electronic	X	O	O	O	O	O

本表格依据SJ/T11364的规定编制。

O: 表示该有害物质在该部件所有均质材料中的含量均在 GB/T 26572规定的限量要求以下。

X: 表示该有害物质至少在该部件的某一均质材料中的含量超出 GB/T 26572规定的限量要求。


(企业可在此处，根据实际情况对上表中打“X”的技术原因进行进一步说明。)

This table is made according to SJ/T 11364.

O: indicates that the concentration of hazardous substance in all of the homogeneous materials for this part is below the limit as stipulated in GB/T 26572.

X: indicates that concentration of hazardous substance in at least one of the homogeneous materials used for this part is above the limit as stipulated in GB/T 26572

Z000057-0B

Schneider Electric Limited Stafford Park 5 Telford TF3 3BL United Kingdom	
---	---

USA: +1 888-444-1311
 Europe: +46 10 478 2000
 Asia: +65 6484 7877
www.schneider-electric.com

Life Is On

Schneider
 Electric