

SpaceLogic Sensors

SLA Series 1.8 k Ω Temperature Sensors – Analog



Product Description

The SpaceLogic SLA Series of 1.8 k Ω temperature sensors for living space is a flexible multisensor platform for use with Schneider Electric controllers designed to accept 4 to 20mA, 0 to 5Vdc or 0 to 10Vdc outputs.

Features

- Medium matte white housing
- Field calibratable non-dispersive infrared CO₂ sensor
- Replaceable RH element available in 1% & 2% with NIST certificate
- 1.8 k Ω thermistor temperature output on all models
- Selectable 4 to 20mA, 0 to 5V and 0 to 10V analog outputs for CO₂ and humidity
- 18-24 AWG screw terminals

Available Products

Model	Description	Housing Type	Housing Color
SLASXX-100	Sensor, Temp, 1.8k, Analog	Blank	Medium white matte
SLASLXX-100	Sensor, Temp, 1.8k, Analog, LCD	LCD	Medium white matte
SLASXX2-100*	Sensor, Temp, 1.8k, RH, Analog	Blank	Medium white matte
SLASXC2-100*	Sensor, Temp, 1.8k, RH,CO ₂ , Analog	Blank	Medium white matte
SLASTCX-100	Sensor, Temp, 1.8k, CO ₂ , Analog, Touch	Touchscreen	Medium white matte

*Replaceable RH module available to be ordered separately per table below.

Replaceable RH Elements

Model	Description	Temp. Calibration	RH Calibration
SLXRHS2N	Replaceable RH sensor, 2% with NIST certificate	N/A	2-point calibration
SLXRHS2X	Replaceable RH sensor, 2%	N/A	2-point calibration
SLXRHS1N	Replaceable RH sensor, 1% with NIST certificate	N/A	2-point calibration

USA: +1 888-444-1311
 Europe: +46 10 478 2000
 Asia: +65 6484 7877
www.schneider-electric.com

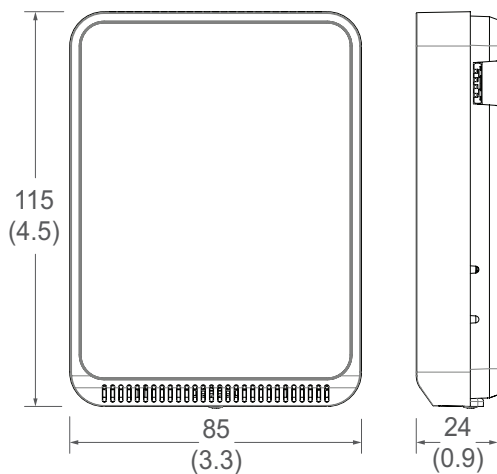
Life Is On

Schneider
Electric

Specifications

Operating Environment	
Input power	Class 2; 20 to 30 Vdc, 24 Vac, 50 to 60 Hz
Analog output, CO ₂ & humidity	Selectable 4 to 20 mA, 0 to 5 V, 0 to 10 V
Operating temp. range	0 to 50 °C (32 to 122 °F)
Operating humidity range	0 to 95% RH non-condensing
Housing material	High impact ABS plastic
IP rating	IP 30
Mounting location	For indoor use only. Not suitable for wet locations.
Surface mount	The device can be surface mounted on Single Gang J-Box, British Standard and CE60 wall boxes
CO ₂ Sensor	
Sensor type	Non-dispersive infrared (NDIR), diffusion sampling
Output range	0 to 2000/5000 ppm (selectable)
Accuracy	±30 ppm ±3% of measured value
Repeatability	±20 ppm ±1% of measured value
Response time	<60 seconds for 90% step change
RH Sensor	
Sensor type	Solid state capacitive, replaceable
Accuracy*	±2% from 10 to 80% RH @ 25°C (77 °F)
Hysteresis	1.5% typical
Linearity	Included in accuracy specification
Stability	±1% @ 20°C (68 °F) annually for 2 years
Output range	0 to 100% RH
Temperature coefficient	±0.1% RH/°C above or below 25 °C (77 °F) typical

Dimensions mm (in.) Face Cover



Temperature Sensor

Sensor type Thermistor (see table below)

Wiring Terminals

Terminal blocks Screw terminals, 18-24 AWG

Screw terminal torque 0.2 N-m (2.0 in-lbF) max.

Regulatory Information

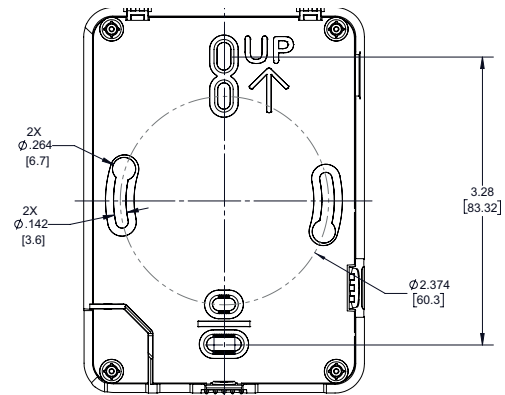
UL 916
 European Conformance CE:
 EN 60730-1, EN 60730-2-9, EN 60730-2-13,
 EN 61000-6-2, EN 61000-6-3, EN 61000 Series
 - Industrial Immunity, EN 61326-1
 FCC Part 15 Class B, REACH, RoHS, Green
 Premium, RCM (Australia), ICES-003 (Canada),
 UKCA (UK)

*Humidity sensor measurement uncertainty should include: accuracy, hysteresis, temperature coefficient and stability.

Thermistor Table

°C	°F	TAC Vista 1.8K
0	32	5,096
5	41	4,077
10	50	3,287
15	59	2,671
20	68	2,185
25	77	1,800
30	86	1,492
35	95	1,245
40	104	1,044
45	113	881
50	122	747

Base Hole Measurement



USA: +1 888-444-1311
 Europe: +46 10 478 2000
 Asia: +65 6484 7877
 www.schneider-electric.com

Life Is On

Schneider
Electric