

# EasyLogic™ Sensors

## Wet Pressure Transmitters

### CP Series



#### Product Description

CP Series wet pressure transmitters are used to monitor pressure in HVAC pipe systems.

The output signal is converted to a standard current or voltage signal compatible with most control systems.

The total linearity, hysteresis and repeatability is  $\pm 1\%$  F.S. (maximum). The CP Series comes standard with a 2m cable, G1/4 fitting with gasket and G1/4-G1/2 adapter.

#### Features

- High measurement accuracy
- Resistant to extreme temperatures
- Multiple ranges available
- Supports both AC and DC power supplies
- Supports both current and voltage outputs
- Ideal for liquid and neutral gas applications

#### Available Products

Part Number	Description	Range		Overload Pressure	
		bar	PSI	bar	PSI
CP-LI-PR-TR-0100	Wet Pressure Transmitter	0-1	0-14.50	2	29.01
CP-LI-PR-TR-0250	Wet Pressure Transmitter	0-2.5	0-36.26	5	72.52
CP-LI-PR-TR-0600	Wet Pressure Transmitter	0-6	0-87.02	12	174.05
CP-LI-PR-TR-1000	Wet Pressure Transmitter	0-10	0-145.04	20	290.08
CP-LI-PR-TR-1600	Wet Pressure Transmitter	0-16	0-232.06	32	464.12
CP-LI-PR-TR-2500	Wet Pressure Transmitter	0-25	0-362.59	50	725.19

North America (USA): +1 888 444 1311  
 Europe, Middle East & Africa (Sweden): +46 10 478 2000  
 Asia Pacific (Singapore): +65 6484 7877  
 product.support@schneider-electric.com  
 se.com

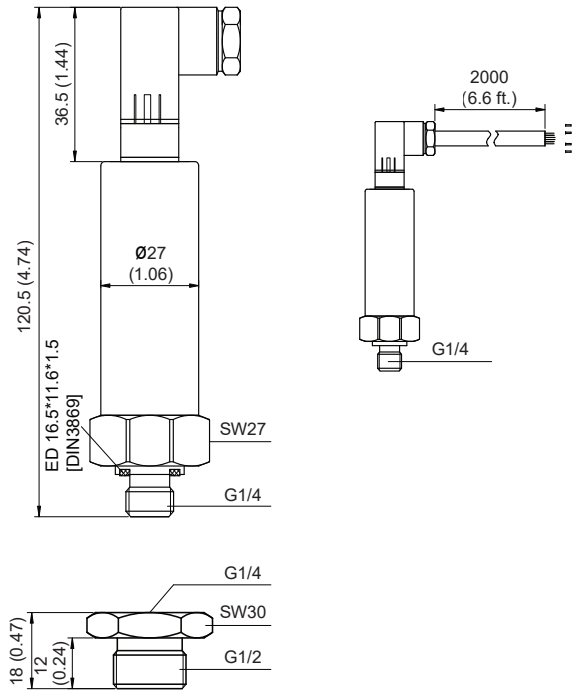
Life Is On

**Schneider**  
Electric

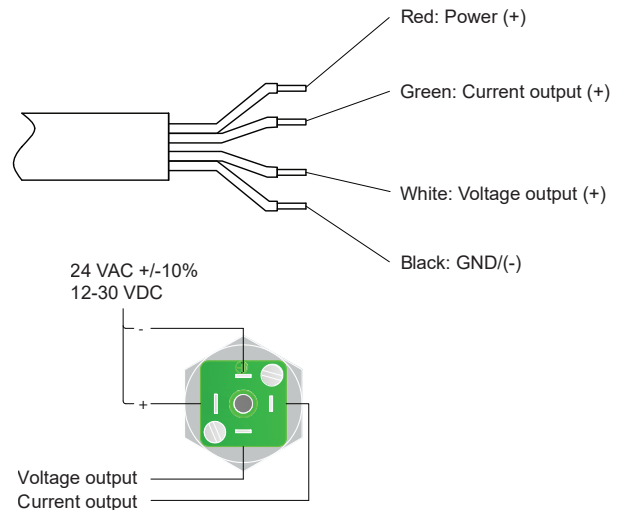
Specifications

General	
Supply voltage	24VAC±10%/12-30VDC
Current consumption	15mA typical (for voltage output)
Output	DC power supply: 0-10V/4-20mA output AC power supply: 0-10V output
Output load	≥10k ohms for 0-10V output; ≤180 ohms for 4-20mA output and power supply 12VDC; ≤500 ohms for 4-20mA output and power supply ≥19VDC
Standard connection	2m cable
Pressure port	G1/4 male (G1/2 male if using G1/4-G1/2 adapter)
Medium compatibility	Water, neutral gas
Performance at 25°C	
Accuracy	±1% FS
Overload pressure	2x FS
Long term stability	±0.25%FS/year (typical)
TC zero point	<±0.04% FS/°C (-10 to 70 °C)
TC sensitivity	<±0.04% FS/°C (-10 to 70 °C)
Environmental	
Medium temperature	-40 to 105 °C
Operating temperature	-20 to 85 °C
Operating humidity	0 to 95% RH (non-condensing)
Storage temperature	-40 to 105 °C
Storage humidity	0 to 95% RH (non-condensing)
Protection class	IP65, indoor use
Materials	
Connection box	PA + 30% glass fiber
Diaphragm	Ceramic
Shell	Grade 304 stainless steel
Weight	
Weight	~ 290g
Regulatory Information	
Agency approvals	European conformance (CE) EN 61326-1 according to 2014/30/EU directive, UKCA (UK), Green Premium: China RoHS 2.0, European RoHS, REACH

Dimensions mm (in.)



Wiring



Notes:  
Choose either voltage output or current output (the AC power supply only has voltage output). The unused wire must be well protected (i.e. wrapped with electrical tape) for safety.