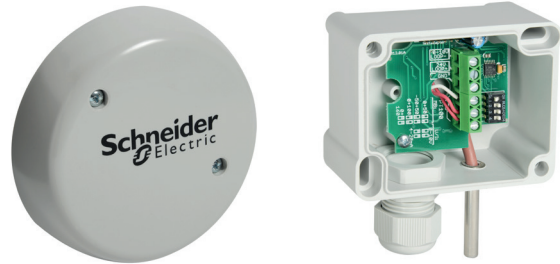


SpaceLogic Sensors

Outdoor Temperature Sensor

STO300



Product Description

The STO300 is an electronic temperature transmitter that converts the measured value into an analogue electrical signal of either 4 ... 20 mA or 0...10 V (field selectable).

The transmitter is supplied as a complete unit, comprising the sensing element and amplifier mounted within a plastic enclosure, complete with circular cover resistant to ultraviolet light.

The transmitter is intended for mounting on an outside wall, on the north side where possible.

Electrical connection is via 2 or 3-wire cable, dependant on the output signal type selected.

The temperature measurement range is field selectable to meet most application needs.

Features

- Field-selectable output
- Multiple measurement ranges
- Ultraviolet resistant cover
- Simple installation
- Low power consumption

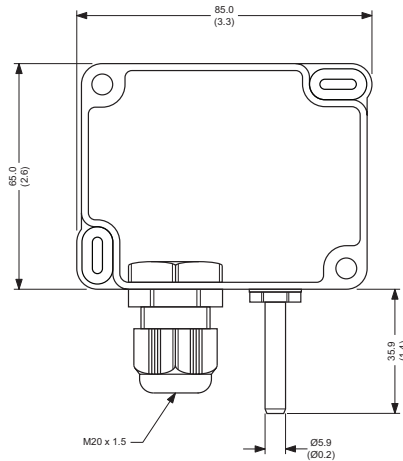
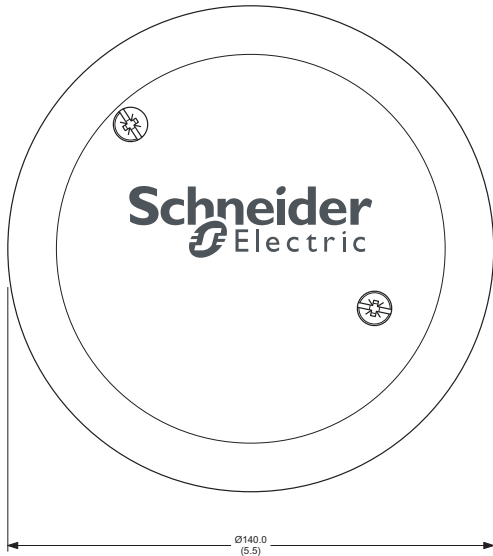
Available Products

Part Number	Model Number	Description
006920501	STO300	Outdoor Temperature Transmitter

Specifications

Measurement ranges (selectable)	0 ... +50 °C (+32 ... +122 °F)
	-50 ... +50 °C (-58 ... +122 °F)
	0 ... +100 °C (+32 ... +212 °F)
	0 ... +160 °C (+32 ... +320 °F)
Signal output (selectable)	4 ... 20 mA 0 ... 10 V
Time constant	Approximately 2 minutes
Materials	Sensor probe: stainless steel Enclosure: PP / PC
Protection standard	IP65
Accuracy	±0.4% of range at 25 °C (77 °F)
Power supply	24 Vac ±10% (voltage output) 16 ... 32 Vdc (voltage/current output)
Power consumption	<4 mA at 32 Vdc (internal)
Maximum load (ohm)	R+ (U _M - 9) / 0.02 A
Electrical connection	Screw terminals Cable gland type M20 x 1.5 complete with cable strain relief
Load resistance	0 ... 10 V: min. 20k Ohm 4 ... 20 mA: max. 450 Ohm at 24 Vdc
Ambient temperature (amplifier)	Min: -10 °C (+14 °F) Max: +60 °C (+140 °F)
Operating humidity range	0 to 90% (non-condensing)
Test/admissions	Electromagnetic compatibility: CE conformity according to EN 61326 EU conformity: EMC Directive 2014/30/EU

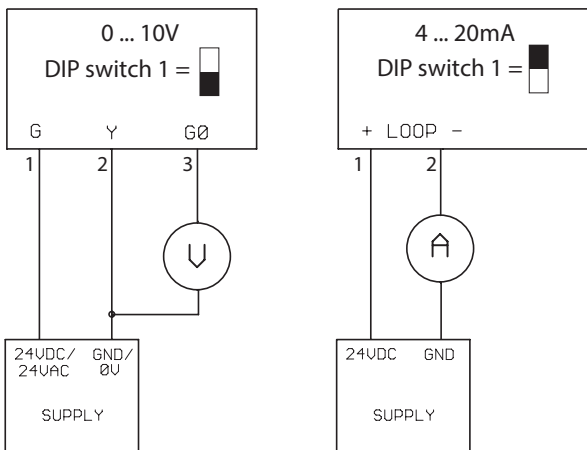
Dimensions mm (in.)



Wiring

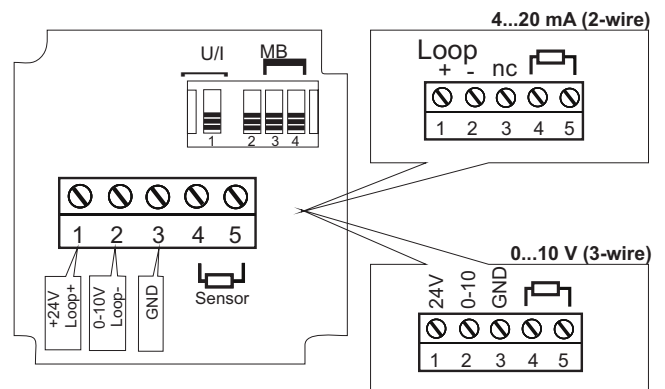
! IMPORTANT: Avoid contact with the sensor terminals if the connection wires are live.

Cable: 0.2 ... 1.5 mm²



Adjustment

The transmitter is factory calibrated for the required range within the specified accuracy prior to delivery. Any further calibration should normally not be necessary. The sensor and the electronic unit are calibrated together.



Output I = 4...20 mA (2-wire)
UG = 16-32 VDC

Output U = 0...10 V (3-wire)
UG = 24 VAC ± 10%
UG = 16-32 VDC

