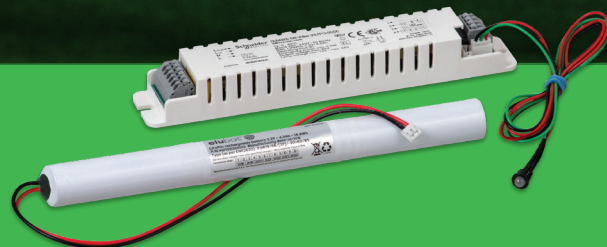


Exiway Kitled



Emergency kit for LED light sources



se.com/it

Life Is On

Schneider
Electric



Exiway **Kitled**: add Emergency function into a Le



Exiway Kitled, connected to a LED light source, enable a self-contained emergency lighting function ready to work.

Exiway Kitled delivers a constant power to the LEDs lighting source, in line with compatible voltage range.

Thanks to the small dimensions and compact size, Exiway Kitled can be installed in a wide range of LED light fixtures also in false ceiling luminaires.

It can be configured to operate in Maintained and Non-Maintained mode.

Suitable for every situation



Standard

- Compatible with LED drivers with output voltage between 12 and 105 V.
- Available in Standard, Activa and DiCube versions
- Activa version with autotest function embedded, periodical automatic test with LED status indication



Activa

- DiCube version for centralised supervising system, automatic testing, integration with BMS, management via Ecostruxure Emergency Lighting Expert software



DiCube

- Exiway Kitled is designed for maintained function, by connecting the LEDs and existing driver to the terminal block of the kit; LEDs will remain lighted even in mains presence or power failure.

Advantages

Exiway Kitled transforms an ordinary LED lighting fixture into an emergency device. It can be installed inside luminaires or simply in false ceiling.

LiFePO4 batteries grant a minimum autonomy of 3 hours thanks to the high quality.

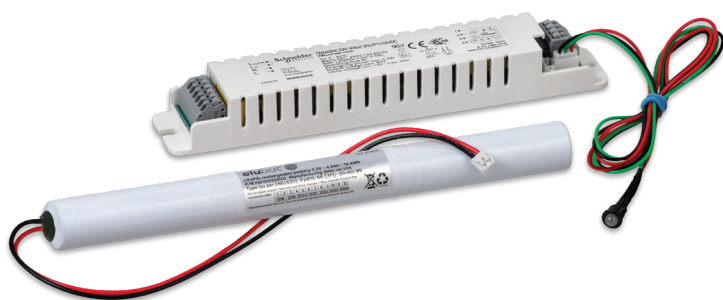
Application

Exiway Kitled can supply different types of LEDs:

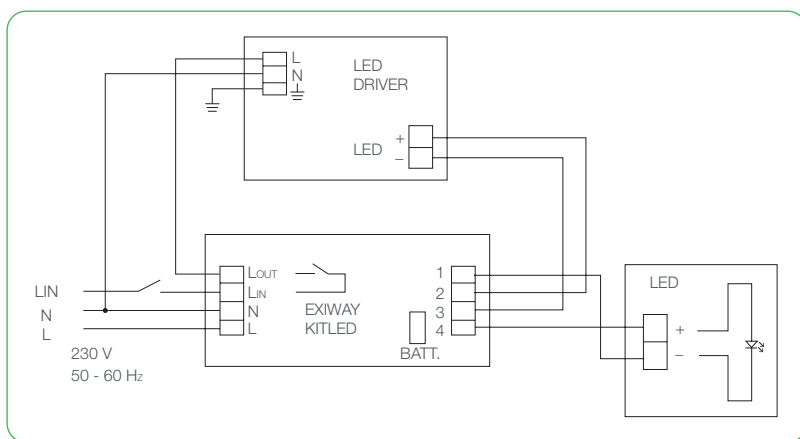
- COB LEDs
- LED strips
- Flush mounted downlights
- LED panels
- Industrial ceiling luminaires
- LED modules



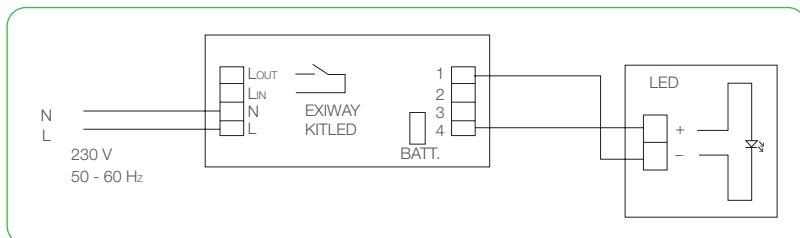
d lighting fixture



Maintained configuration



Non-maintained configuration



Technical specifications

- Self-extinguishing plastic case 94 V-2 (UL 94)
- Double insulated
- Compliant with CEI EN 61347-2-7
- Incandescent wire 850°C (IEC-695-2-1/CEI 50-11)
- Quick connect terminal blocks
- Operating temperature 0 - 40°C
- LiFePO4 batteries
- Power supply 230 V 50/60 Hz
- Autonomy 3 h
- Complete recharge 24 h, 2 h autonomy with 12 h charge
- Output specifications o Models 12 - 55 Vdc and 20 - 105 Vdc o Max Output Power 3 W
- Tc 65°C
- Maintained or non-maintained operation according to the type of wiring chosen
- Kit consisting of two elements: electronic circuit and battery
- LED indicator, gives the status of the kit or show faults (Activa version)
- Exiway Kitled DiCube can be used in DALI systems
- ENEC certification
- Not compatible with LED lightings bulbs E14, E27 or LEDs with GU5.3, GU10 socket and LED light tubes.

Typical functions

Exiway Kitled can be configured to operate in maintained mode by combining the kit to the LED driver, or non-maintained mode, only in emergency.

Exiway Kitled

Standard	Dimensions		Output voltage		Output Pow. Max	LiFePO4 battery		Description	Code
	Duration	circuit	accumulator	Min		Max	V		
3h	177x30xh21,5	200x19x19	12 V	55 V	3 W	3,2	4,5	Exiway Kitled STD 12-55VDC 3 W / 3 LFP	OVA43500
3h	177x30xh21,5	200x19x19	20 V	105 V	3 W	3,2	4,5	Exiway Kitled STD 20-105VDC 3 W / 3 LFP	OVA43501

Activa	Dimensions		Output voltage		Output Pow. Max	LiFePO4 battery		Description	Code
	Duration	circuit	accumulator	Min		Max	V		
3h	177x30xh21,5	200x19x19	12 V	55 V	3 W	3,2	4,5	Exiway Kitled ACT 12-55VDC 3 W / 3 LFP	OVA43600
3h	177x30xh21,5	200x19x19	20 V	105 V	3 W	3,2	4,5	Exiway Kitled ACT 20-105VDC 3 W / 3 LFP	OVA43601

DiCube/Dali	Dimensions		Output voltage		Output Pow. Max	LiFePO4 battery		Description	Code
	Duration	circuit	accumulator	Min		Max	V		
3h	177x30xh21,5	200x19x19	12 V	55 V	3 W	3,2	4,5	Exiway Kitled DiCube/Dali 12-55VDC 3 W / 3 LFP	OVA43700
3h	177x30xh21,5	200x19x19	20 V	105 V	3 W	3,2	4,5	Exiway Kitled DiCube/Dali 20-105VDC 3 W / 3 LFP	OVA43701

All Exiway Kitled products are certified with the 05 quality mark.

Exiway Kitled, connected to a LED light source, enables a self-contained emergency lighting function ready to work. The product is fully compliant to CEI EN 61347-2-7 standard and it was designed for applications compatible with the EN 60598-2-22 standard. Nevertheless, the user has the full responsibility to release the CE certification of the complete LED light fixture including Exiway Kitled in accordance with EN60598-2-22 standard. Schneider-Electric declines all the responsibility about the CE certification and about the compliance with the EN60598-2-22 standard of the full light fixture as well as all the responsibility about product selection and its use inside or outside the luminaire

Schneider Electric Industries SAS

35, rue Joseph Monier
CS 30323
92506 Rueil Malmaison Cedex
France

RCS Nanterre 954 503 439
Capital Social 896 313 776€
www.schneider-electric.com

01/2022
LEES DPV 129 AI - EN

1-0122-pdf

© 2018 - Schneider Electric. All Rights Reserved.
All trademarks are owned by Schneider Electric Industries SAS or affiliated companies.

This document has been
printed on recycled paper

