

SEISMIC QUANTIFICATION

TO BE COMPLIANT WITH THE SEISMIC REQUIREMENTS OF ASCE/SEI 7, THIS UNIT IS SELF CERTIFIED TO ICS ES AC156, BY SHAKE TABLE QUALIFICATION TESTING. THE ENCLOSURE ABOVE IS 20M.

TRANSFORMER SPECIFICATION

75 KVA 3 PHASE 60 HERTZ  
 PRIMARY VOLTAGE: 480 DELTA  
 SECONDARY VOLTAGE: 208Y/120  
 150°C RISE ABOVE 40°C AMBIENT  
 220°C INSULATION SYSTEM COPPER WINDING  
 APPROXIMATE WEIGHT: 622 LBS  
 GUARANTEED SOUND LEVEL: 45 dB  
 TYPE 2 ENCLOSURE PAINTED ANSI 49 GREY  
 MINIMUM EFFICIENCY 98.60% @ 35% LOADING 75°C  
 COMPLYING WITH DOE 2016-10 CFR 431  
 (78 FR 23335-APRIL 18, 2013)

NOTES:

cULus List TO UL 1561 AND C22.2No47, FILE NUMBER E6868  
 ALL UNITS 100% TESTED PRIOR TO SHIPPING TO NEMA ST-20 (2014)  
 MANUFACTURE IN ISO 9001 FACILITIES  
 GREEN PREMIUM (RoHS/REACH COMPLIANT, PRODUCT ENVIRONMENT PROFILE)  
 REGISTERED TO DOE VIA 10 CFR 429 & NRCAN  
 MINIMUM CLEARANCE 1/2 INCH PER ALCOVE TESTING UL 1561. SIDES AND REAR  
 FRONT ACCESS MUST COMPLY WITH NEC WORK SPACE REQUIREMENTS,  
 MINIMUM CLEARANCE OF 6 INCHES.  
 CONDUIT ENTRY AREA ARE SHOWN ABOVE, LOCATIONS ARE FRONT SIDES  
 AND FRONT BOTTOM

DUAL DIMENSIONS: INCHES  
 MILLIMETERS

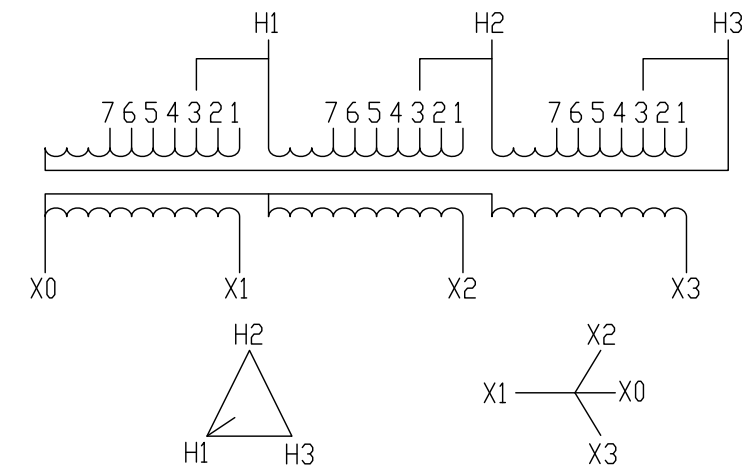
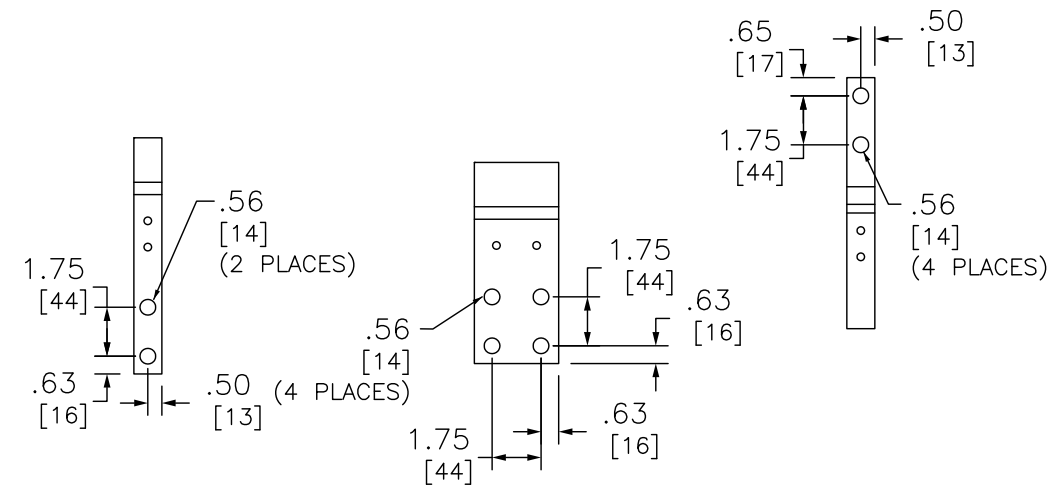
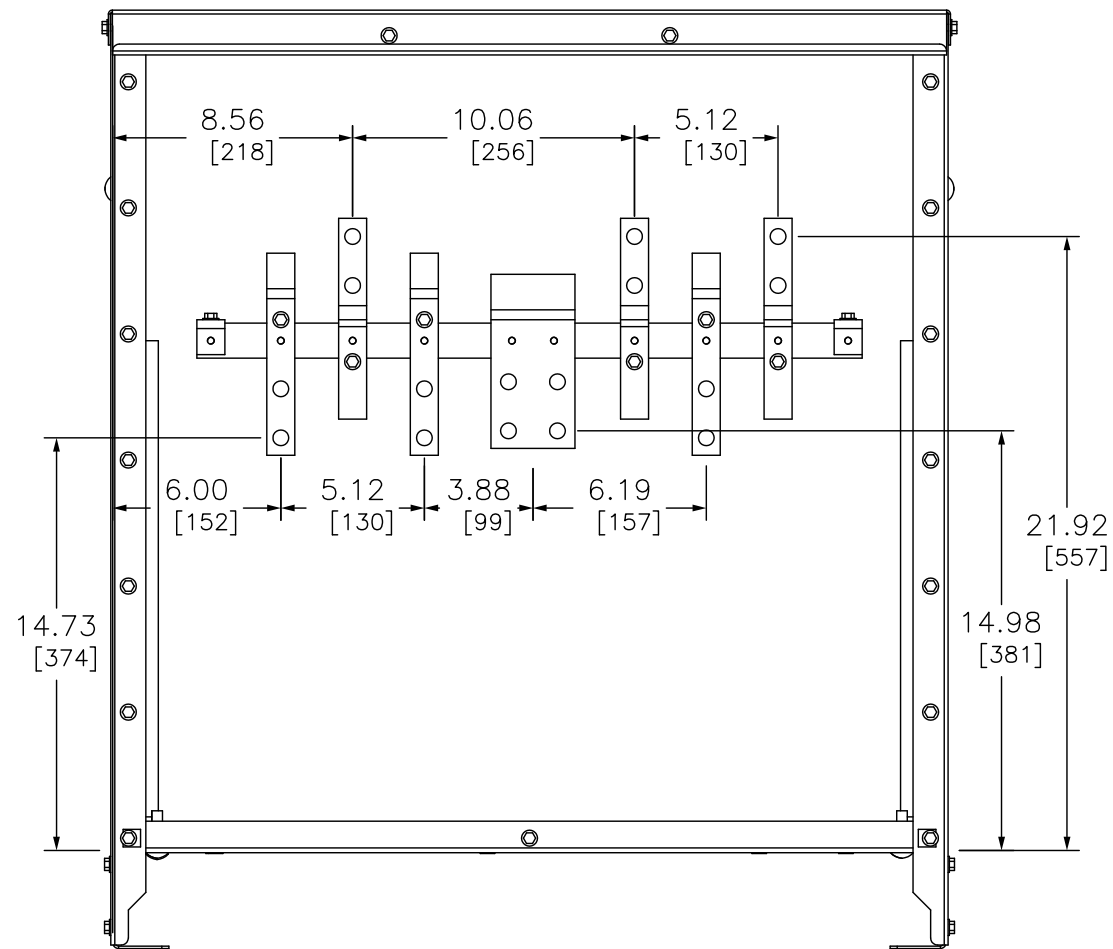
LOW VOLTAGE DISTRIBUTION TRANSFORMER  
 DOE 2016  
 DRY TYPE TRANSFORMERS CATALOG NO EXN75T3HCU  
 3 PHASE, 480 DELTA  
 SECONDARY 208Y /120, COPPER



DWG# EXN75T3HCU PG 1

IN EACH PHASE CONNECT TO TAPS	
PRIMARY VOLTS	2-2.5% FCAN 4-2.5% FCBN
504	1
492	2
480	3
468	4
456	5
444	6
432	7

NOTE: ACTUAL VOLTAGES &  
NAMEPLATE VALUES MAY NOT  
MATCH VOLTAGE IN TABLE



DUAL DIMENSIONS: INCHES  
MILLIMETERS

LOW VOLTAGE DISTRIBUTION TRANSFORMER  
DOE 2016  
DRY TYPE TRANSFORMERS CATALOG NO EXN75T3HCU  
3 PHASE, 480 DELTA  
SECONDARY 208Y /120, COPPER



DWG# EXN75T3HCU PG 2  
NO.