

**SEISMIC QUANTIFICATION**

TO BE COMPLIANT WITH THE SEISMIC REQUIREMENTS OF ASCE/SEI 7, THIS UNIT IS SELF CERTIFIED TO ICS ES AC156, BY SHAKE TABLE QUALIFICATION TESTING. THE ENCLOSURE ABOVE IS 19M.

**TRANSFORMER SPECIFICATION**

45kVA 3 PHASE 60 HERTZ  
 PRIMARY VOLTAGE: 480V DELTA  
 SECONDARY VOLTAGE: 208Y/120  
 150°C RISE ABOVE 40°C AMBIENT  
 220°C INSULATION SYSTEM COPPER WINDING  
 APPROXIMATE WEIGHT: 399 LBS  
 GUARANTEED SOUND LEVEL: 45 dB  
 TYPE 2 ENCLOSURE PAINTED ANSI 49 GREY  
 MINIMUM EFFICIENCY 98.40% @ 35% LOADING 75°C  
 COMPLYING DOE 2016-10 CFR 431  
 (78 FR 23335-APRIL 18, 2013)

**NOTES:**

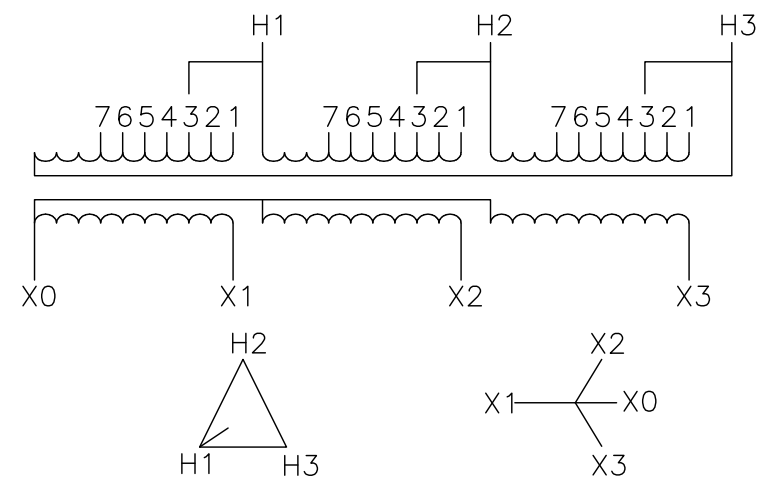
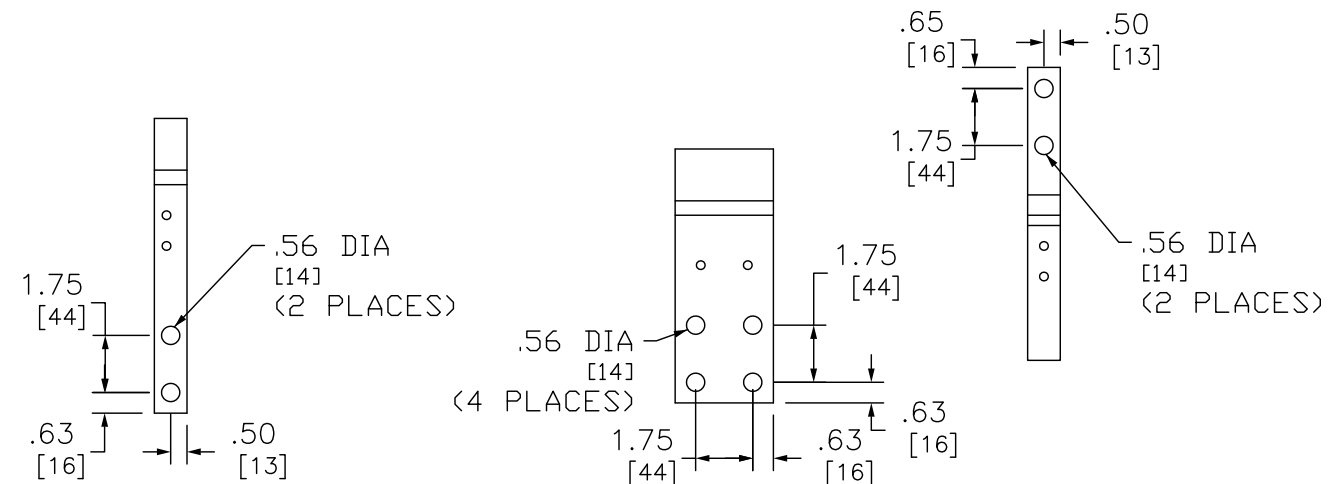
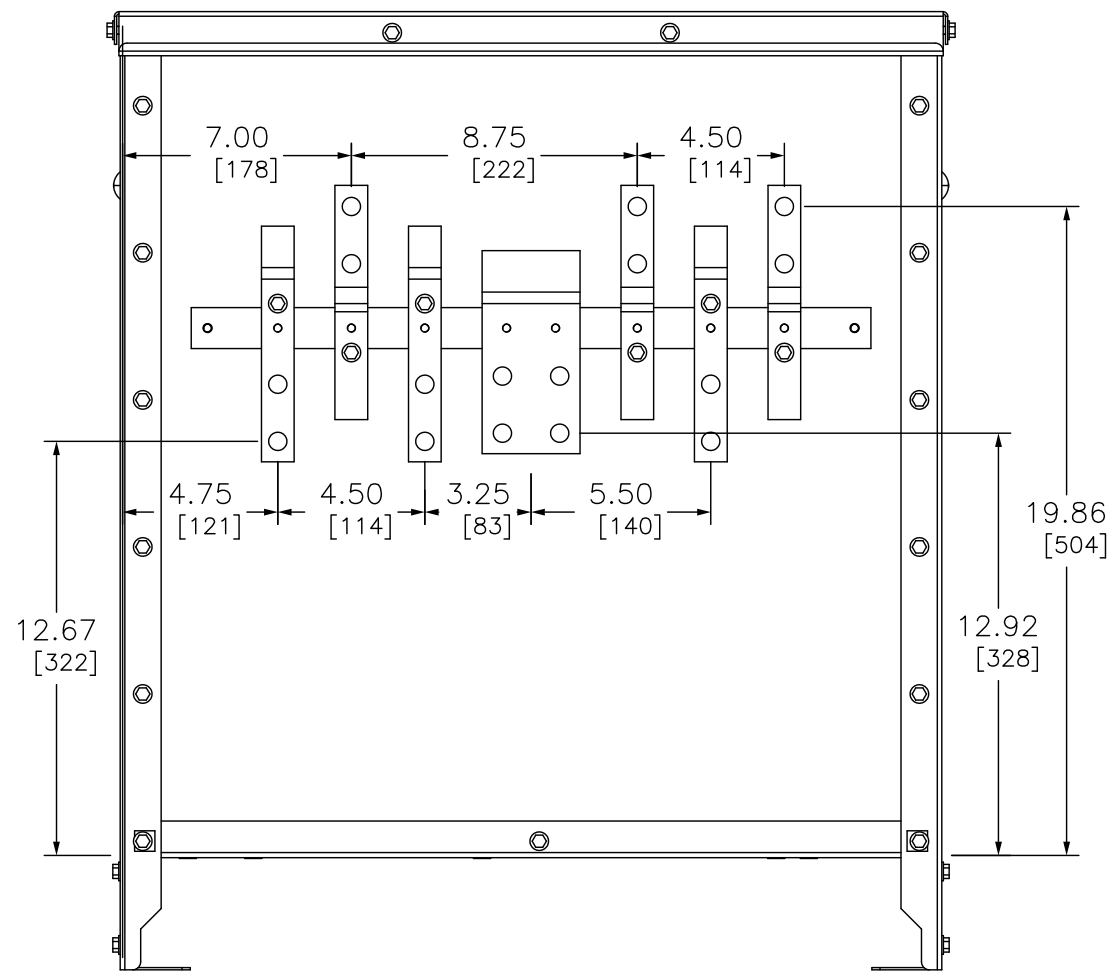
cULus LISTED TO UL1561 AND C22. 2No47, FILE NUMBER E6868.  
 ALL UNITS 100% TESTED PRIOR TO SHIPPING TO NEMA ST-20 (2014).  
 MANUFACTURED IN ISO 9001 FACILITIES.  
 GREEN PREMIUM (RoHS/REACH COMPLAINT, PRODUCT ENVIRONMENTAL PROFILE).  
 REGISTERED TO DOE VIA 10 CFR 429 & NRCAN  
 MINIMUM CLEARANCE 1/2 INCH PER ALCOVE TESTING UL 1561. SIDES AND REAR FRONT ACCESS MUST COMPLY WITH NEC WORK SPACE REQUIREMENTS. MINIMUM CLEARANCE OF 6.00/[152].  
 CONDUIT ENTRY AREA ARE SHOWN SHADED ABOVE, LOCATIONS ARE FRONT SIDES AND FRONT BOTTOM.

DUAL DIMENSIONS: INCHES  
 MILLIMETERS

LOW VOLTAGE DISTRIBUTION TRANSFORMER  
 DOE 2016  
 DRY TYPE TRANSFORMERS CATALOG NO EXN45T3HCU  
 3 PHASE, 480 DELTA  
 SECONDARY 208Y /120, COPPER



DWG# EXN45T3HCU PG 1



IN EACH PHASE CONNECT TO TAPS	
PRIMARY VOLTS	2-2.5% FCAN 4-2.5% FCBN
504	1
492	2
480	3
468	4
456	5
444	6
432	7

NOTE: ACTUAL VOLTAGES &  
NAMEPLATE VALUES MAY NOT  
MATCH VOLTAGE IN TABLE

DUAL DIMENSIONS: INCHES  
MILLIMETERS

LOW VOLTAGE DISTRIBUTION TRANSFORMER  
DOE 2016  
DRY TYPE TRANSFORMERS CATALOG NO EXN45T3HCU  
3 PHASE, 480 DELTA  
SECONDARY 208Y /120, COPPER

**SQUARE D**<sup>™</sup>  
by Schneider Electric

DWG# EXN45T3HCU PG 2