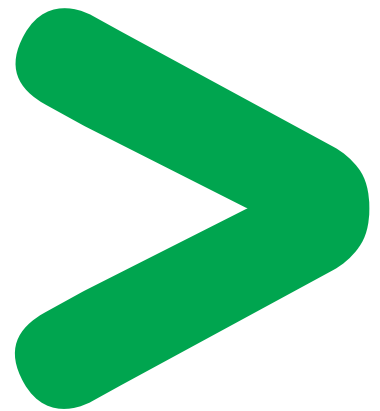


Product End-of-Life Instructions

DPN Vigi+ SLIM

Product Range

917353, 917354, 917355, 917356, 917363, 917364, 917365, 917366, 19583, 19584, 19585, 19586, 19583, 19584, 19585, 19586, A9D91610, A9D91616, A9D91620, A9D91625, A9D95610, A9D95616, A9D95620, A9D95625, 4RCBE210/30S, 4RCBE216/30S, 4RCBE220/30S, 4RCBE225/30S.



Size (mm) :

H x L x D : 64 x 92.5 x 18

Weight in kg (or g) :

Between 128.49 g and 133.20 g



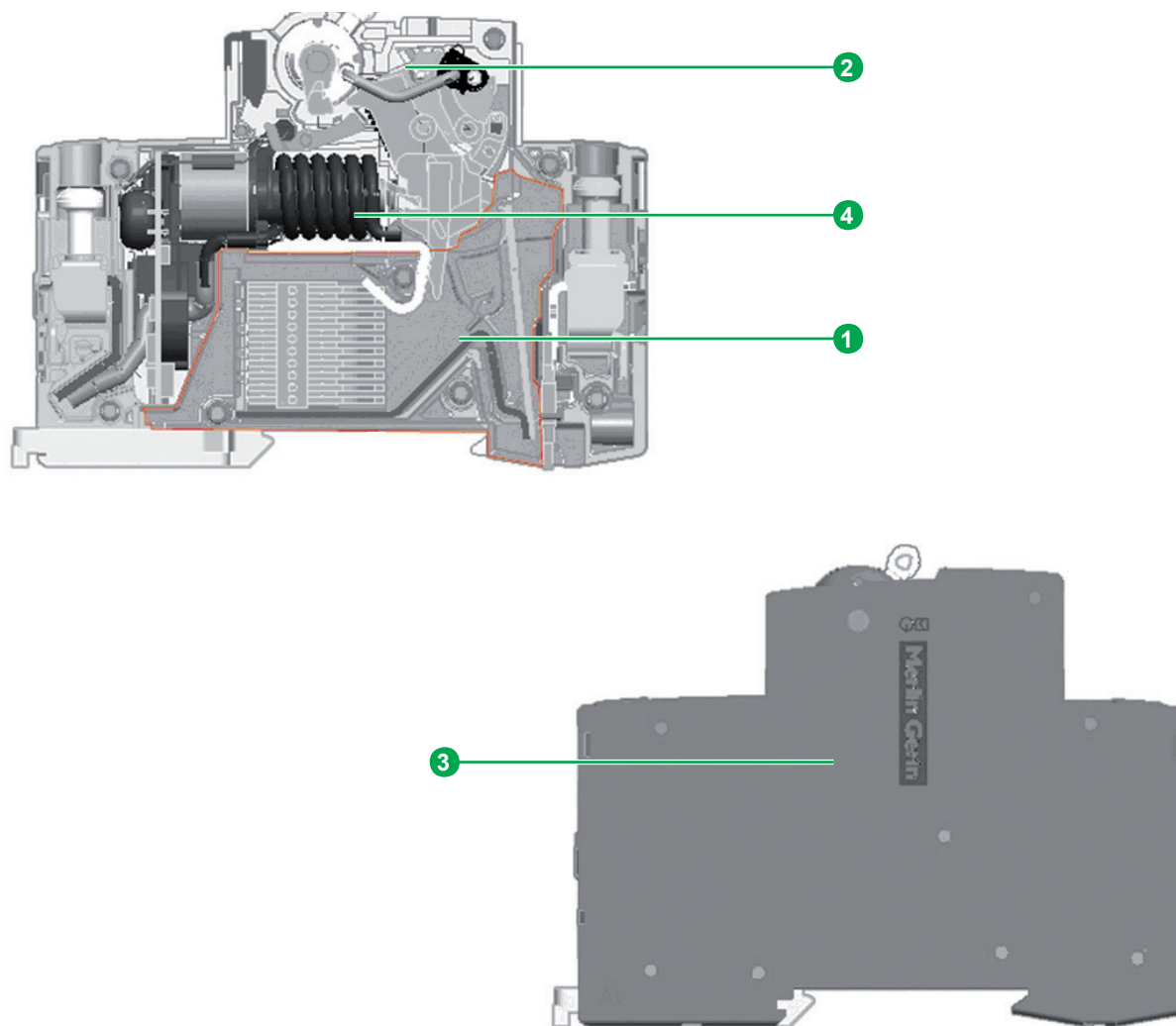
Operations recommended for the end of life treatment

The product family must be disposed according to the legislation of the country.
This product family is not in the scope of EU directive 2002/96/EC, Waste Electrical and Electronic Equipment (WEEE).

There are several steps to process the products at the end of life so as to recover components, materials or energy:

Reuse ⇒ Depollution ⇒ Dismantling ⇒ Shredding

The components of the products that optimize the recycling performances are listed, identified and located hereunder.



Recommendation	Number on drawing	Components	Weight (g)	Comment
Other dismantling	1	Intercase - Right	9.38	Generic material: Polyamide
	2	Cover - right	16.5	Generic material: Polyamide
	3	Cover - left	16.1	Generic material: Polyamide
	4	Coil	8.73	Copper

Schneider Electric Industries SAS

35, rue Joseph Monier
CS30323
F - 92506 Rueil Malmaison Cedex

RCS Nanterre 954 503 439
Capital social 896 313 776 €
www.schneider-electric.com

The version of the Guide used to create the document: End of Life Instruction Drafting Guide of Schneider Electric version V3.

Publication : Schneider Electric