

Product End of Life Instructions

Sensor Base for SmartX IP Controllers Temperature - Cover not included



 **Potential disassembly risks**

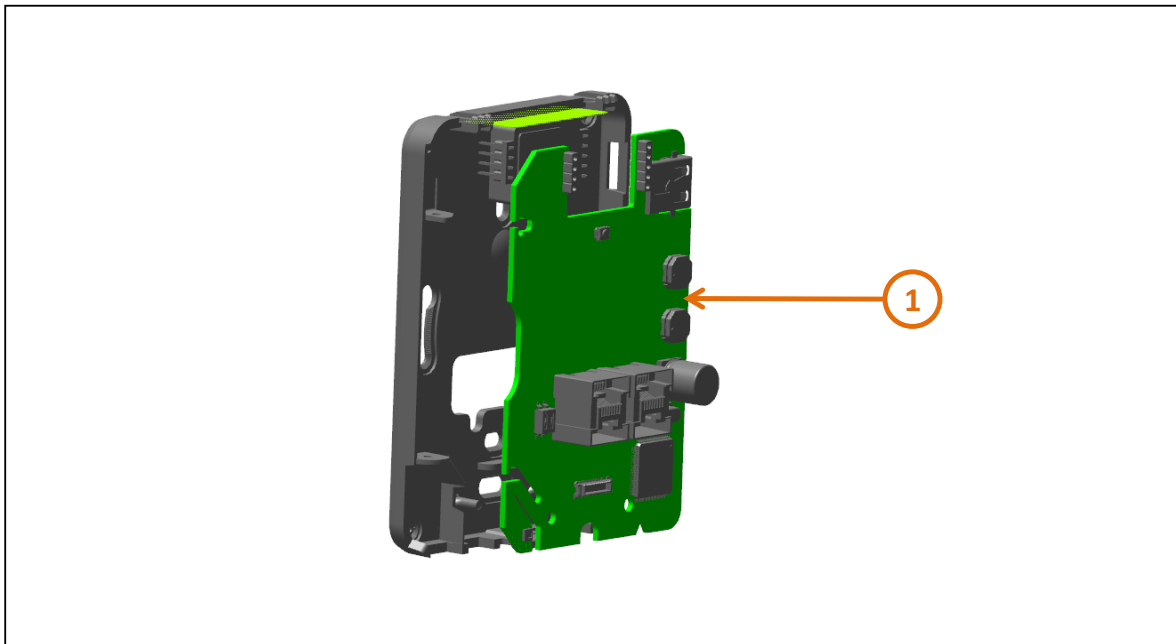
⚠ WARNING

HAZARD OF ELECTRIC SHOCK, EXPLOSION, AND FIRE

The Ethernet cable and Ethernet knockout cable that come with the Schneider Energy Monitor package are 600V-rated. If additional Ethernet cables are required they must be Power over Ethernet (PoE) CAT5E 600 V-rated cable (SEMONITORMTM or similar).

Failure to follow these instructions can result in death, serious injury, or equipment damage.

 **End of Life Instructions**



Recommendation	Number on drawing	Component / Material	Weight (in g)	Comment
To be depolluted	1	Electronic board	33.56	PCBA



Product description

Manufacturer identification	Schneider Electric Industries SAS
Brand name	Schneider Electric
Product function	Sensor base to track ambient Temperature in the room. Works with proprietary sensor bus protocol connected to a controller. The product is packed in a polyethylene layer, boxed in cardboard and labelled
Product reference	SXWSBTXXXSXX
Additional similar product references	SXWSATXXXSLB SXWSATXXXSLW SXWSATXXXSLX SXWSBTHCXSSX SXWSBTHXXSXX SXWSBTXCXSXX SXWSBTXXXSXX
Total representative product mass	61.26 g
Representative product dimensions	81.2mm x 20.7mm x 111.6mm
Accessories	No
Date of information release	05-2025



Additional information

Legal information	This product family is in the scope of European Union directive 2012/19/EU on Waste Electrical and Electronic Equipment (WEEE). The product family must be disposed according to the legislation of the country. This document is intended for use by end of life recyclers or treatment facilities. It provides the basic information to assure an appropriate end of life treatment for the components and materials of the product.
In case of special transportation: transportation method	No
Recyclability potential	3% The recyclability rate was calculated from the recycling rates of each material making up the product based on REEECYLAB tool developed by Ecosystem, for components/materials not covered by the tool, data from the EIME database and the related PSR was taken. If no data was found a conservative assumption was used (0% recyclability).

Schneider Electric Industries SAS

Country Customer Care Center

<http://www.se.com/contact>

35, rue Joseph Monier

CS 30323

F- 92500 Rueil Malmaison Cedex

RCS Nanterre 954 503 439

Capital social 928 298 512 €

www.se.com

Published by Schneider Electric

ENVEOLI2503004_V1

© 2023 - Schneider Electric – All rights reserved

05-2025