

Product End of Life Instructions

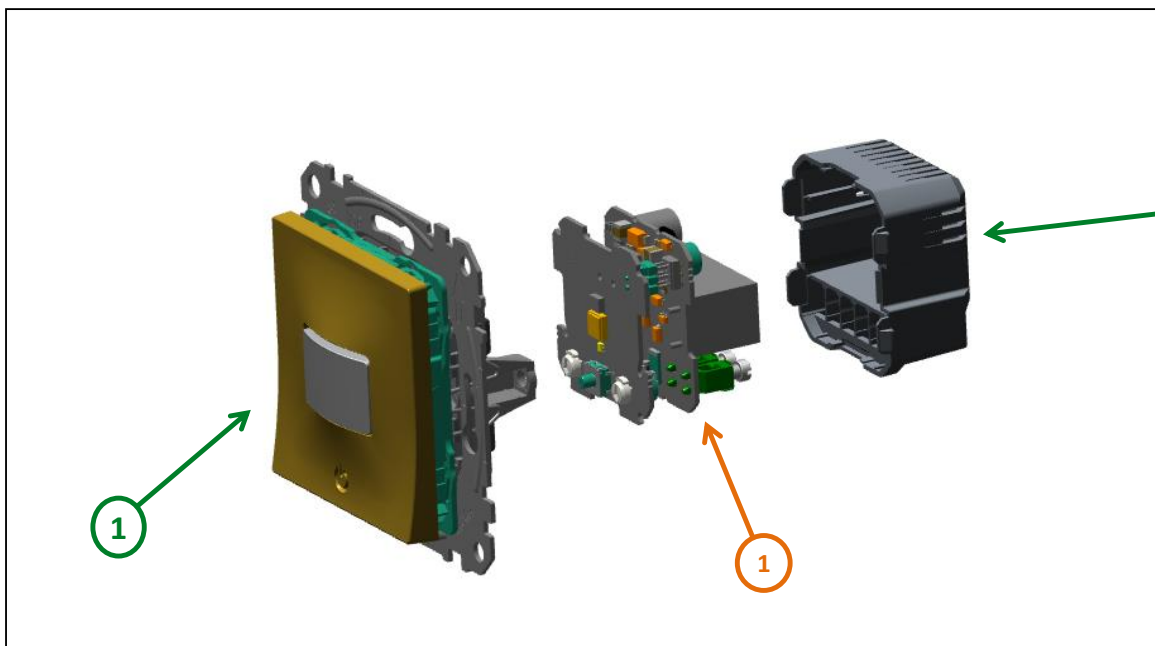
Exxact - Movement detector - with push button integrated and relay - white + frame cover

Representative of all variants of motion sensors





End of Life Instructions



Recommendation	Number on drawing	Component / Material	Weight (in g)	Comment
To be depolluted	1	Electronic Board (Communication) > 10cm ²	4	

Product description

Manufacturer identification	Schneider Electric Industries SAS		
Brand name	Exxact		
Product function	The Exxact motion sensor allows the switching on of the lights when movement is detected, with a push button to turn the sensor on and off, in white, plus the cover for the outside frame.		
Product reference	WDE002375 - WDE002101		
Additional similar product references	506D5306 506D5310 506D6306 506D63061L 506D6310 506D6312 506D63122L 506D8306 506N0306 530D5306 530D5311 530D5313 530D5314 530D5315 530D5317 530D6311 530D6313 530D6314 530D6315 530D8306 530D8311 530D8313 530D8314 530D8315 ELG171180 ELG171184 ELG367064 KIT_S520524_TO MEG5530-0319 MEG5530-0325 MEG5530-0403 MEG5530-0414		
Total representative product mass	103 g		
Representative product dimensions	8.2 x 10.0 x 9.4 (H x L x W in cm)		
Accessories	0		
Date of information release	01/08/2025		

Additional information

Legal information

The product family must be disposed according to the legislation of the country. This document is intended for use by end of life recyclers or treatment facilities. It provides the basic information to assure an appropriate end of life treatment for the components and materials of the product.

Recyclability potential

26%

The recyclability rate was calculated from the recycling rates of each material making up the product based on REEECY'LAB tool developed by Ecosystem, for components/materials not covered by the tool, data from the EIME database and the related PSR was taken. If no data was found a conservative assumption was used (0% recyclability).

Schneider Electric Industries SAS

*Country Customer Care Center
<http://www.se.com/contact>*

*35, rue Joseph Monier
CS 30323
F- 92500 Rueil Malmaison Cedex
RCS Nanterre 954 503 439
Capital social 928 298 512 €*

www.se.com

ENVEOLI2501006_V1

Published by Schneider Electric

© 2023 - Schneider Electric – All rights reserved

08/2025