

Product End of Life Instructions

Harmony XA2A key selector switch

Easy Harmony XA2



Potential disassembly risks

The information provided in this document assumes that the product is completely de-energized and uninstalled (refer to the instructions provided in the appropriate product manuals).

Dismantling/disassembling the product may entail hazards caused by, for example, sharp edges, chemical aggression or ejected parts.

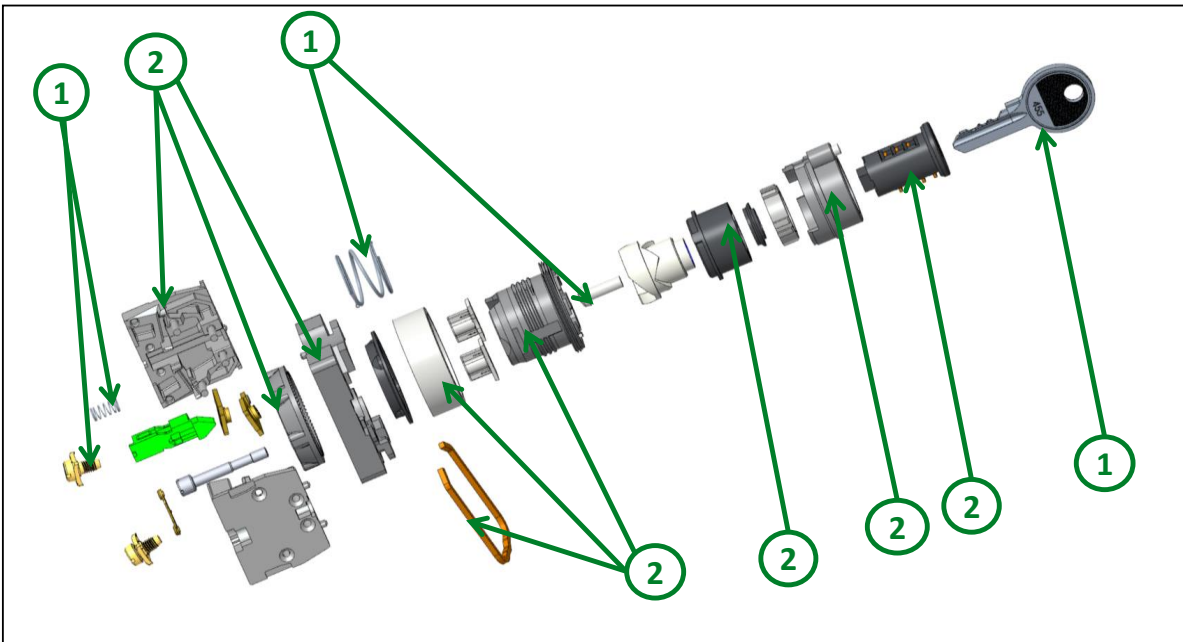
WARNING

HAZARD DUE TO INSUFFICIENT PROTECTION

- Implement all safety measures required by the applicable regulations and by the processes used to dismantle/disassemble and dispose of the product.
- Use all necessary personal protective equipment such as gloves and goggles.

Failure to follow these instructions can result in death or serious injury.

End of Life Instructions



Recommendation	Number on drawing	Component / Material	Weight (in g)	Comment
To be dismantled	1	ScREW, Spring, Nut, Terminal	33.3	Metal Parts
To be dismantled	2	Head, Contact Cover, Housing, Bezel	28.2	Plastic Parts
Other			0.7	Except above parts



Product description

Manufacturer identification	Schneider Electric Industries SAS
Brand name	Schneider Electric
Product function	Key selector switch can be rotated right or left in order to open or close the electrical contacts. It combines simplicity of installation, flexibility and robustness and meets the requirements of the majority of industrial applications.
Product reference	XA2AG21
Additional similar product references	XA2AG03 XA2AG33 XA2AG43 XA2AG63 XA2AG73
Total representative product mass	62.2 g
Representative product dimensions	42.7mm x 29.9mm x 87.8mm
Accessories	No
Date of information release	3/1/2025



Additional information

Legal information	This product family is in the scope of European Union directive 2012/19/EU on Waste Electrical and Electronic Equipment (WEEE). The product family must be disposed according to the legislation of the country. This document is intended for use by end of life recyclers or treatment facilities. It provides the basic information to assure an appropriate end of life treatment for the components and materials of the product.
In case of special transportation: transportation method	No
Recyclability potential	52% The recyclability rate was calculated from the recycling rates of each material making up the product based on REEECY'LAB tool developed by Ecosystem, for components/materials not covered by the tool, data from the EIME database and the related PSR was taken. If no data was found a conservative assumption was used (0% recyclability).

Schneider Electric Industries SAS
Country Customer Care Center
<http://www.se.com/contact>
35, rue Joseph Monier
CS 30323
F- 92500 Rueil Malmaison Cedex
RCS Nanterre 954 503 439
Capital social 928 298 512 €

www.se.com

ENVEOLI2412046_V1

Published by Schneider Electric

© 2023 - Schneider Electric – All rights reserved

03/2025