

# Product End of Life Instructions

## Harmony XA2A Pushbutton

### Easy Harmony XA2



## Potential disassembly risks

The information provided in this document assumes that the product is completely de-energized and uninstalled (refer to the instructions provided in the appropriate product manuals).

Dismantling/disassembling the product may entail hazards caused by, for example, sharp edges, chemical aggression or ejected parts.

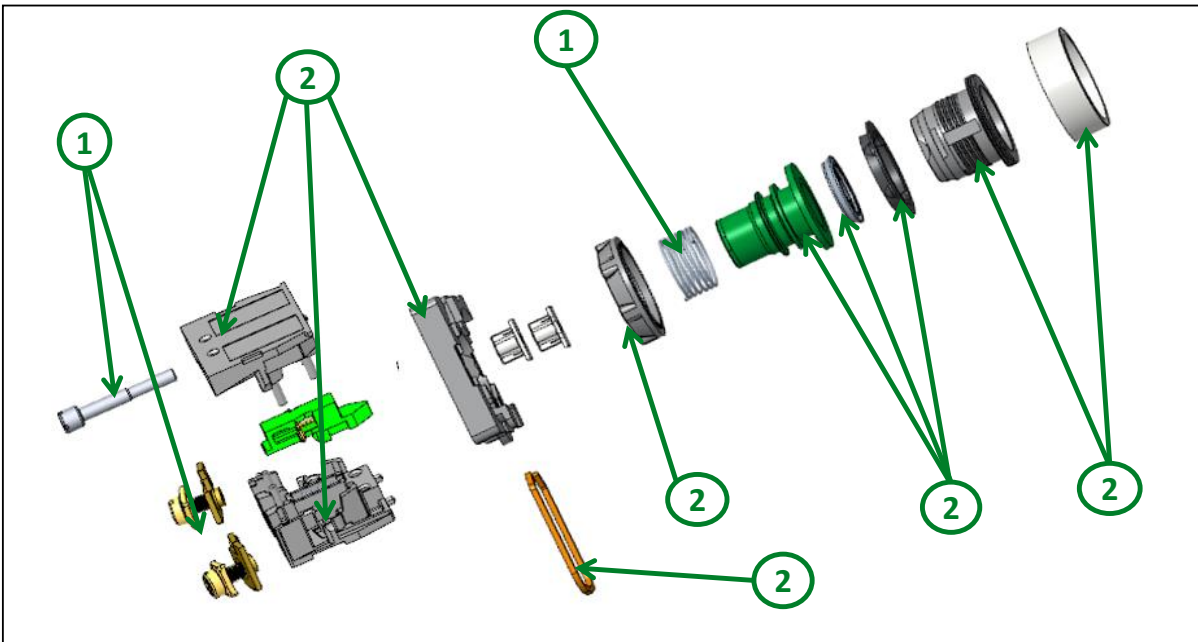
### WARNING

#### HAZARD DUE TO INSUFFICIENT PROTECTION

- Implement all safety measures required by the applicable regulations and by the processes used to dismantle/disassemble and dispose of the product.
- Use all necessary personal protective equipment such as gloves and goggles.

**Failure to follow these instructions can result in death or serious injury.**

## End of Life Instructions



Recommendation	Number on drawing	Component / Material	Weight (in g)	Comment
To be dismantled	1	Scrow, Spring, Nut, Terminal	10	Metal Parts
To be dismantled	2	Head, Contact Cover, Housing	23	Plastic Parts



## Product description

Manufacturer identification	Schneider Electric Industries SAS
Brand name	Schneider Electric
Product function	Push button switch is usually used to turn on and off the control circuit and it is a kind of control switch appliance that is widely used in industrial applications. It combines simplicity of installation, flexibility and robustness and meets the requirements of the majority of industrial applications.
Product reference	XA2AA31
Additional similar product references	XA2AA11 XA2AA21 XA2AA25 XA2AA3311 XA2AA3341 XA2AA3351 XA2AA35 XA2AA41 XA2AA42 XA2AA4322 XA2AA4342 XA2AA45 XA2AA51 XA2AA61 XA2AA6511 XA2AC21 XA2AC31 XA2AC42 XA2AC51 XA2AH021 XA2AH031 XA2AH042 XA2AH051 XA2AH061
Total representative product mass	33 g
Representative product dimensions	42.7mm x29.9mm x 54.8mm
Accessories	No
Date of information release	3/1/2025



## Additional information

Legal information	This product family is in the scope of European Union directive 2012/19/EU on Waste Electrical and Electronic Equipment (WEEE). The product family must be disposed according to the legislation of the country. This document is intended for use by end of life recyclers or treatment facilities. It provides the basic information to assure an appropriate end of life treatment for the components and materials of the product.
In case of special transportation: transportation method	No
Recyclability potential	<b>30%</b> The recyclability rate was calculated from the recycling rates of each material making up the product based on REEECY'LAB tool developed by Ecosystem, for components/materials not covered by the tool, data from the EIME database and the related PSR was taken. If no data was found a conservative assumption was used (0% recyclability).

Schneider Electric Industries SAS

Country Customer Care Center  
<http://www.se.com/contact>

35, rue Joseph Monier  
 CS 30323  
 F- 92500 Rueil Malmaison Cedex  
 RCS Nanterre 954 503 439  
 Capital social 928 298 512 €

[www.se.com](http://www.se.com)

ENVEOLI2412044\_V1

Published by Schneider Electric

© 2023 - Schneider Electric – All rights reserved

03-2025