

# Product End of Life Instructions

## Modicon Edge I/O NTS Bus and Field Power Supply Module

### Modicon Edge I/O NTS





## Potential disassembly risks

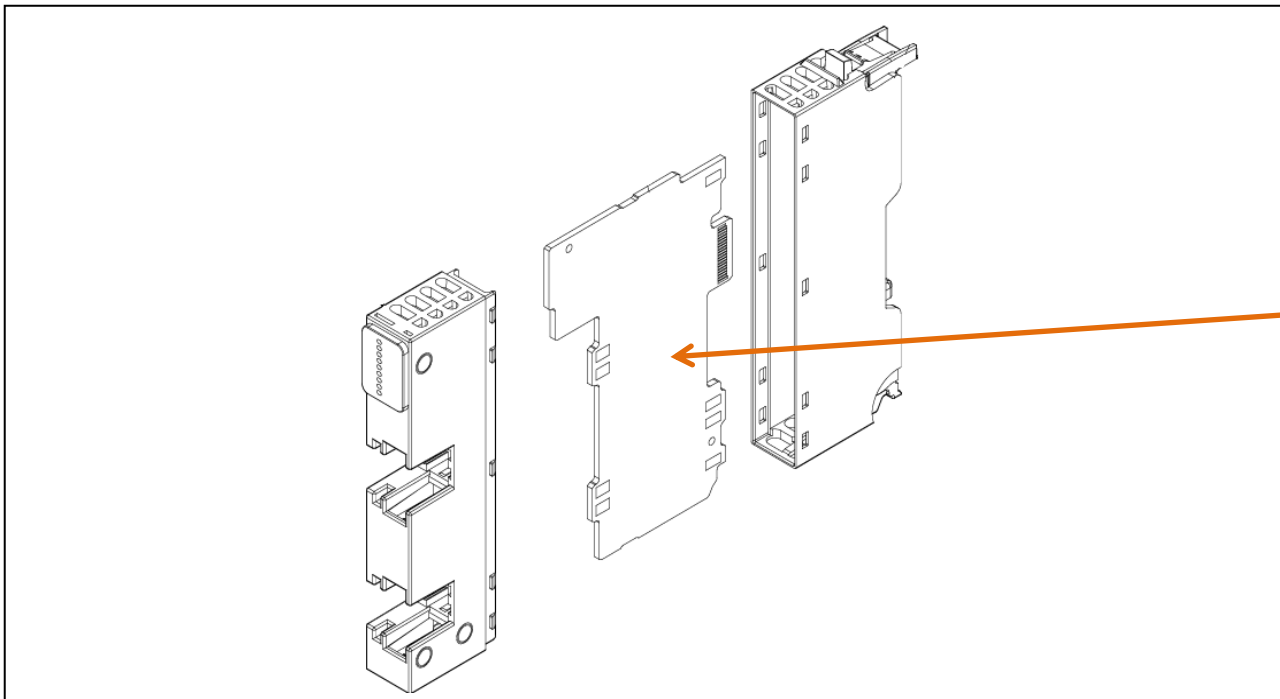
### HAZARD OF ELECTRIC SHOCK, EXPLOSION OR ARC FLASH

- Disconnect all power from all equipment including connected devices prior to removing any covers or doors, or installing or removing any accessories, hardware, cables, or wires except under the specific conditions specified in the appropriate hardware guide for this equipment.
- Always use a properly rated voltage sensing device to confirm the power is off where and when indicated.
- Replace and secure all covers, accessories, hardware, cables, and wires and confirm that a proper ground connection exists before applying power to the unit.
- Use only the specified voltage when operating this equipment and any associated products.

**Failure to follow these instructions will result in death or serious injury.**



## End of Life Instructions



Recommendation	Number on drawing	Component / Material	Weight (in g)	Comment
To be depolluted	1	Electronic Board (Power) > 10cm <sup>2</sup>	20,8	PCBA
Other			27,2	Except of the above parts

## Product description

Manufacturer identification	Schneider Electric Industries SAS
Brand name	Schneider Electric
Product function	The Modicon Edge NTS power modules are designed to support the overall functionality of the control system by providing the necessary power to the input/output (I/O) modules it contains, while ensuring short-circuit and overcurrent protection to prevent damage to the I/O modules and connected field devices.
Product reference	NTSPFB1002H
Additional similar product references	NTSPFB1002H NTSPFD1002H NTSPFB1002HK NTSPFD1002HK NTSPCM0016H NTSPCM0808H NTSPCM1600H NTSPCM0016HK NTSPCM0808HK NTSPCM1600HK NTSDMY0100H NTSDMY0200H NTSDMY0100HK NTSDMY0200HK
Total representative product mass	48 g
Representative product dimensions	100mm x 69mm x 30mm
Accessories	Yes
Date of information release	11-2024

## Additional information

Legal information	This product family is in the scope of European Union directive 2012/19/EU on Waste Electrical and Electronic Equipment (WEEE). The product family must be disposed according to the legislation of the country. This document is intended for use by end of life recyclers or treatment facilities. It provides the basic information to assure an appropriate end of life treatment for the components and materials of the product.	
In case of special transportation: transportation method	No	
Recyclability potential	0%	Recyclability rate has been calculated based on REEECY'LAB tool developed by Ecosystem, for components/materials not covered by the tool, data from the "ECO'DEEE recyclability and recoverability calculation method" was taken. If no data was found a conservative assumption was used (0% recyclability).

Schneider Electric Industries SAS

Country Customer Care Center  
<http://www.se.com/contact>

35, rue Joseph Monier

CS 30323

F- 92500 Rueil Malmaison Cedex

RCS Nanterre 954 503 439

Capital social 928 298 512 €

[www.se.com](http://www.se.com)

ENVEOLI2409008\_V2

Published by Schneider Electric

© 2023 - Schneider Electric – All rights reserved

11-2024