

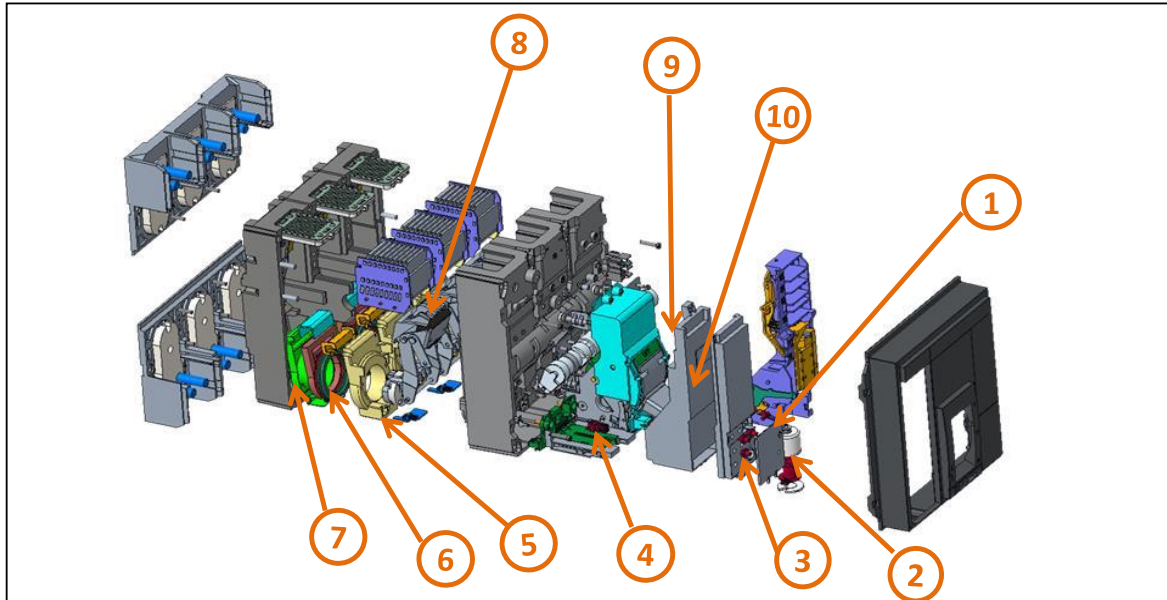
Product End of Life Instructions

Easypact CVS800N 50kA 3P ETS2.0 Circuit Breaker

Easypact CVS



End of Life Instructions



Recommendation	Number on drawing	Component / Material	Weight (in g)	Comment
To be depolluted	1, 8, 9	PC, ABS-PC, PA, PA6, HDPE, SAN with brominated flame retardants	57.41	
To be depolluted	2, 3, 4, 5, 6, 7	Other plastic parts with brominated flame retardants	138.96	
To be depolluted	10	Electronic Board (Communication) > 10cm ²	39.32	

Product description

Manufacturer identification	Schneider Electric Industries SAS
Brand name	Schneider Electric
Product function	The EasyPact CVS 800A 3 pole Circuit Breaker is designed to meet the isolation requirement of the circuit, TMD thermal magnetic protection, fixed and non adjustable.
Product reference	E080N320FM
Additional similar product references	ExxxF320FM, xxx=080,100, 125 ExxxF420FM, xxx=080,100, 125 ExxxN320FM, xxx=080,100, 125 ExxxN420FM, xxx=080,100, 125 ExxxS3NAFM, xxx=080,100, 125 ExxxS4NAFM, xxx=080,100, 125
Total representative product mass	10050 g
Representative product dimensions	279mm x209mm x156mm
Accessories	NO
Date of information release	07-2024

Additional information

Legal information	This product family is in the scope of European Union directive 2012/19/EU on Waste Electrical and Electronic Equipment (WEEE). The product family must be disposed according to the legislation of the country. This document is intended for use by end of life recyclers or treatment facilities. It provides the basic information to assure an appropriate end of life treatment for the components and materials of the product.	
In case of special transportation: transportation method	NO	
Recyclability potential	88%	Recyclability rate has been calculated based on REEECY'LAB tool developed by Ecosystem, for components/materials not covered by the tool, data from the "ECO'DEEEE recyclability and recoverability calculation method" was taken. If no data was found a conservative assumption was used (0% recyclability).

Schneider Electric Industries SAS

Country Customer Care Center
<http://www.se.com/contact>

35, rue Joseph Monier
 CS 30323
 F- 92500 Rueil Malmaison Cedex
 RCS Nanterre 954 503 439
 Capital social 928 298 512 €

www.se.com

ENVEOLI2407015_V1

Published by Schneider Electric

© 2023 - Schneider Electric – All rights reserved

07-2024