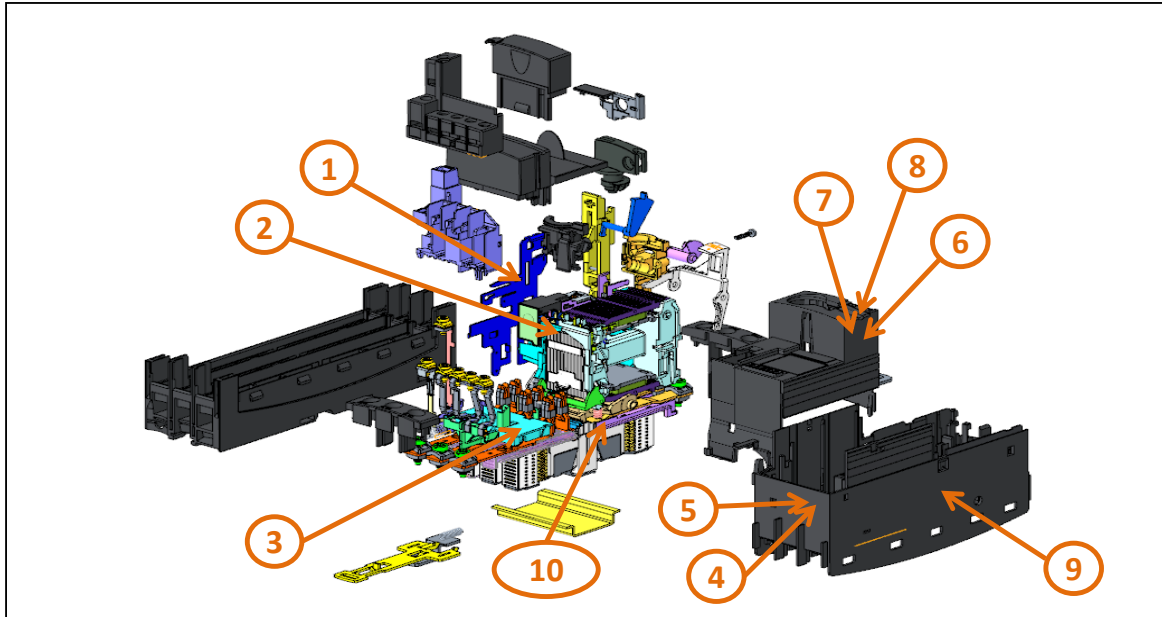


Product End of Life Instructions

TeSys Ultra reversing power base



End of Life Instructions



Recommendation	Number on drawing	Component / Material	Weight (in g)	Comment
To be depolluted	1	PA with brominates flame retardants	1	
To be depolluted	2	PBT with brominates flame retardants	7.9	
To be depolluted	3	PBT with brominates flame retardants	8.7	
To be depolluted	4	PA with brominates flame retardants	4.4	
To be depolluted	5	PA with brominates flame retardants	3.9	
To be depolluted	6,7,8	PA with brominates flame retardants	3.07	
To be depolluted	9	PA with brominates flame retardants	0.87	
To be depolluted	10	Electronic Board (Communication) > 10cm ²	2.56	

Product description

Manufacturer identification	Schneider Electric Industries SAS
Brand name	Schneider Electric
Product function	The product is for advance motor management system and protection
Product reference	LU2B12B
Total representative product mass	1207 g
Representative product dimensions	125mmx230mmx45mm
Accessories	No
Date of information release	07-2024

Additional information

Legal information	This product family is in the scope of European Union directive 2012/19/EU on Waste Electrical and Electronic Equipment (WEEE). The product family must be disposed according to the legislation of the country. This document is intended for use by end of life recyclers or treatment facilities. It provides the basic information to assure an appropriate end of life treatment for the components and materials of the product.	
In case of special transportation: transportation method	No	
Recyclability potential	59%	Recyclability rate has been calculated based on REEECYLAB tool developed by Ecosystem, for components/materials not covered by the tool, data from the "ECO' DEEE recyclability and recoverability calculation method" was taken. If no data was found a conservative assumption was used (0% recyclability).

Schneider Electric Industries SAS
 Country Customer Care Center
<http://www.se.com/contact>
 35, rue Joseph Monier
 CS 30323
 F- 92500 Rueil Malmaison Cedex
 RCS Nanterre 954 503 439
 Capital social 928 298 512 €

www.se.com

ENVEOLI2407003_V1

Published by Schneider Electric

© 2023 - Schneider Electric – All rights reserved

07-2024