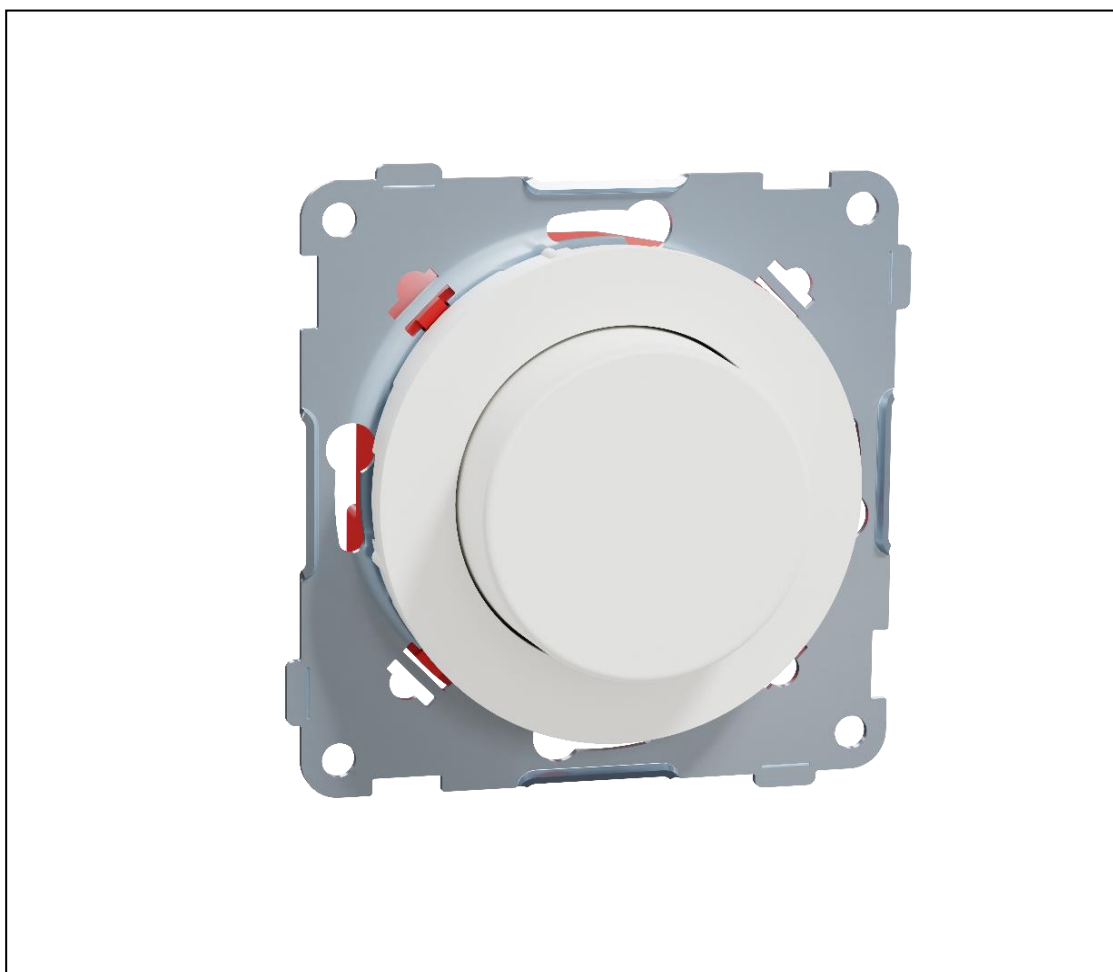


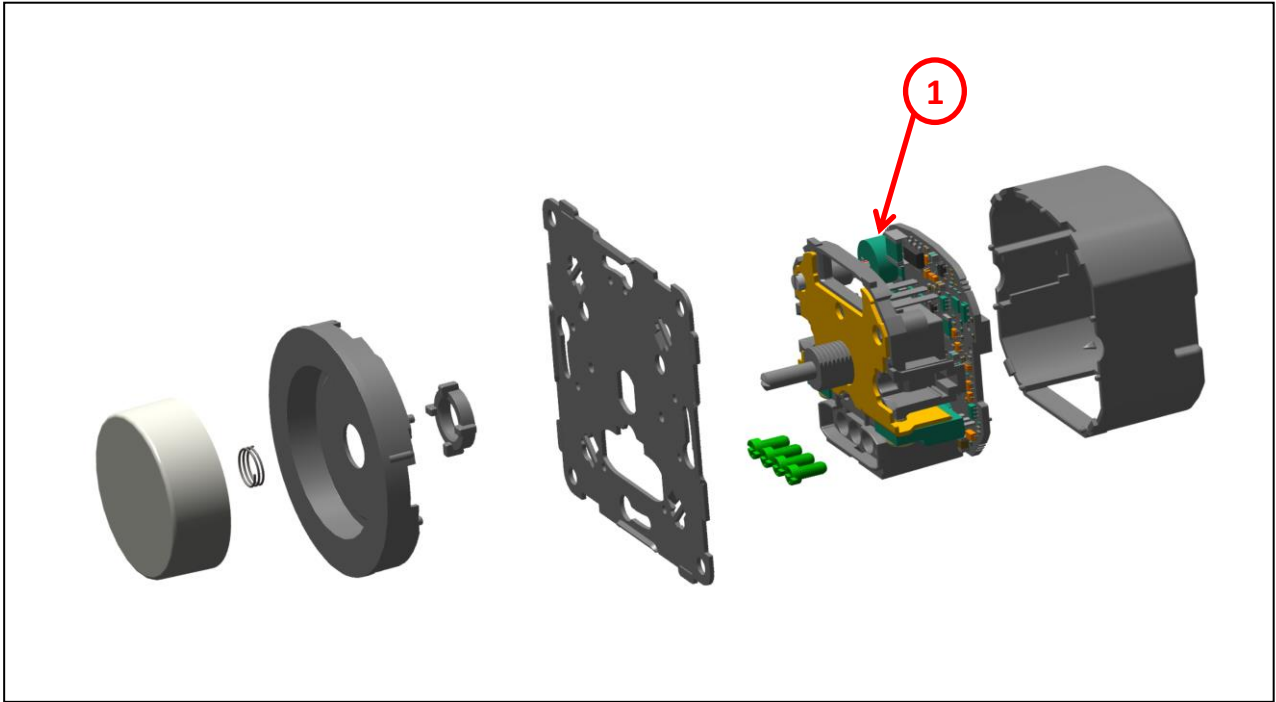
# Product End of Life Instructions

**Dimmer, ELKO One, multiwire, LED, 370W, recycled PC, matt,**

**Representative of all ELKO dimmers, fan speed regulators (with or without frames), and the range accessories.**



## End of Life Instructions



Recommendation	Number on drawing	Component / Material	Weight (in g)	Comment
To be depolluted	1	Electronic Board	42,11	

## Product description

Manufacturer identification	ELKO AS
Brand name	ELKO
Product function	The main function of this product is to control and dim the various types of lamps.
Product reference	EKO50095
Additional similar product references	EKO50095 EKO07146 EKO07147 EKO07148 EKO07149 EKO07150 EKO30195 EKO30432 EKO40011 EKO50096 EKO99806 EKO03486 EKO03973 EKO05108 EKO06229 EKO30145 EKO05667 EKO05674 EKO05675 EKO05676 EKO30146 EKO07012 EKO07013 EKO07014 EKO07015 EKO30148 EKO03967 EKO06655 EKO05026 EKO05027 EKO05028 EKO05029 EKO30142 EKO50097 EKO50098 EKO05034 EKO05035 EKO05036 EKO05037 EKO30143 EKO50101 EKO50102 EKO30474 EKO40050 EKO50133 EKO50134 EKO60002 EKO60003 EKO60004 EKO70000 EKO04911 EKO04914 EKO05829 EKO05831 EKO05835 EKO30336 EKO30337 EKO50103 EKO50104 EKO03759 EKO03765 EKO03771 EKO03970 EKO50099 EKO50100 EKO09544 EKO09606 EKO09621 EKO07344 EKO09111 EKO09397 EKO09398 EKO09406 EKO09651 EKO09652 EKO09660 EKO40012 EKO99980 EKO09756
Total representative product mass	107 g
Representative product dimensions	72 mm x 92 mm x 92 mm
Accessories	Not applicable
Date of information release	07-2024

## Additional information

<p><b>Legal information</b></p>	<p>This product family is in the scope of European Union directive 2012/19/EU on Waste Electrical and Electronic Equipment (WEEE). The product family must be disposed according to the legislation of the country. This document is intended for use by end of life recyclers or treatment facilities. It provides the basic information to assure an appropriate end of life treatment for the components and materials of the product.</p>	
<p><b>Recyclability potential</b></p>	<p><b>47%</b></p>	<p>Recyclability rate has been calculated based on REEECY'LAB tool developed by Ecosystem, for components/materials not covered by the tool, data from the "ECO'DEEE recyclability and recoverability calculation method" was taken. If no data was found a conservative assumption was used (0% recyclability).</p>

Schneider Electric Industries SAS  
 35 rue Joseph Monier  
 FR-92500 Rueil Malmaison

[elko.no/contact](http://elko.no/contact)

ENVEOLI2406013\_V1

Published by Schneider Electric Industries SAS

© 2024 - Schneider Electric Industries SAS – All rights reserved

07-2024