

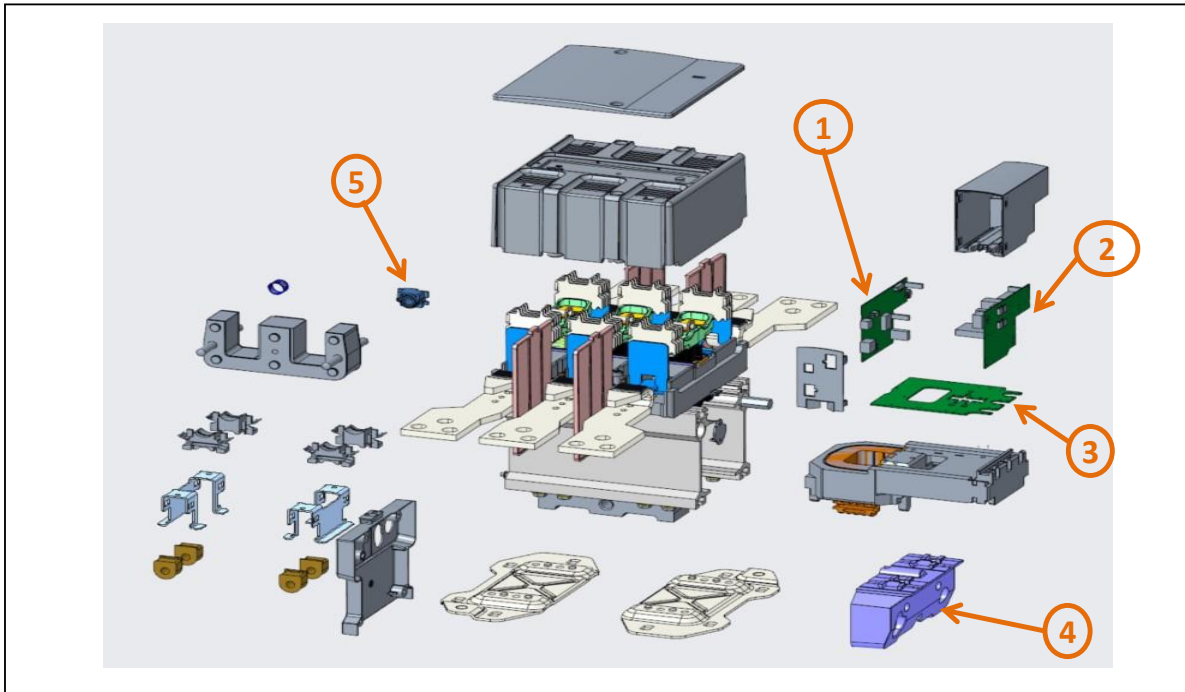
Product End of Life Instructions

TeSys F CONTACTOR 3P AC 100-250V

TeSys F



End of Life Instructions



Recommendation	Number on drawing	Component / Material	Weight (in g)	Comment
To be depolluted	1,2,3	Electronic Board (Power) > 10cm ²	84.42	
To be depolluted	4,5	Plastics with brominated flameretardants	94.56	

Product description

Manufacturer identification	Schneider Electric Industries SAS
Brand name	Schneider Electric
Product function	The main purpose of the product is to switch on and off electrical power supply of a downstream installation with an electrical and/or mechanical control.
Product reference	LC1SF1200KUE
Additional similar product references	LC1SF1200M7 LC1SF1200P7 LC1SF1200S410P7 LC1SF1200S411P7
Total representative product mass	13400 g
Representative product dimensions	338mm x 233mm x 232mm
Accessories	NO
Date of information release	03-2025

Additional information

Legal information	This product family is in the scope of European Union directive 2012/19/EU on Waste Electrical and Electronic Equipment (WEEE). The product family must be disposed according to the legislation of the country. This document is intended for use by end of life recyclers or treatment facilities. It provides the basic information to assure an appropriate end of life treatment for the components and materials of the product.	
In case of special transportation: transportation method	No	
Recyclability potential	93%	Recyclability rate has been calculated based on REEECY'LAB tool developed by Ecosystem, for components/materials not covered by the tool, data from the "ECO' DEEE recyclability and recoverability calculation method" was taken. If no data was found a conservative assumption was used (0% recyclability).

Schneider Electric Industries SAS
 Country Customer Care Center
<http://www.se.com/contact>
 35, rue Joseph Monier
 CS 30323
 F- 92500 Rueil Malmaison Cedex
 RCS Nanterre 954 503 439
 Capital social 928 298 512 €

www.se.com

ENVEOLI2404025_V2

Published by Schneider Electric

© 2023 - Schneider Electric – All rights reserved

03-2025