

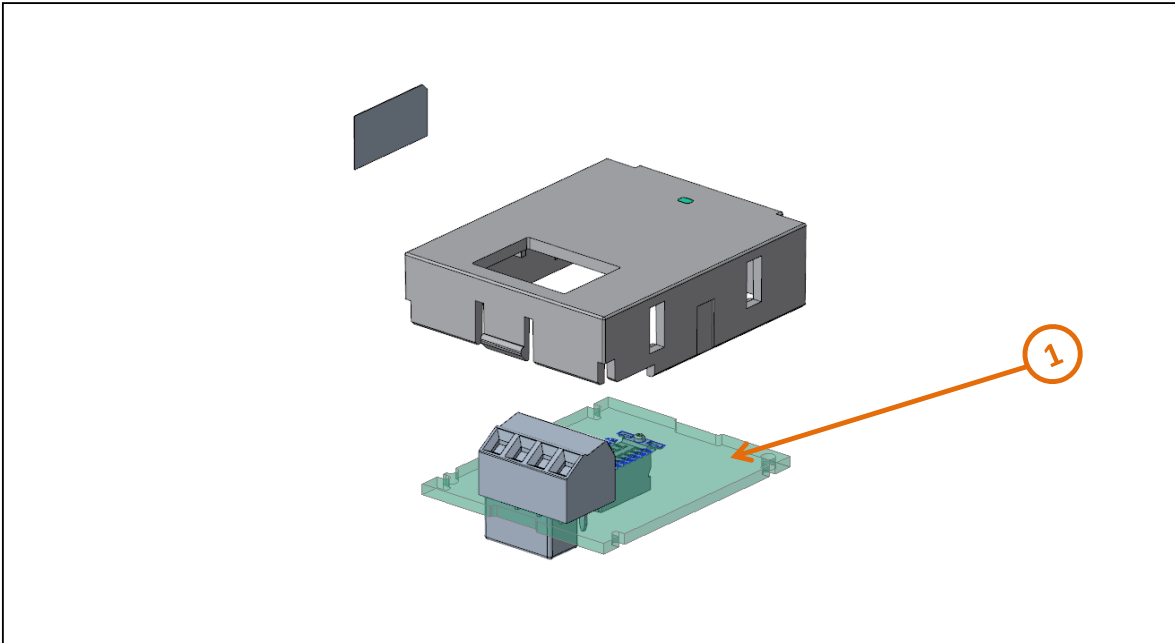
Product End of Life Instructions

Cartridges for Easy Modicon M200 PLC

Easy Modicon M200 cartridges



 **End of Life Instructions**



Recommendation	Number on drawing	Component / Material	Weight (in g)	Comment
To be depolluted	1	Electronic Board (Communication) > 10cm ²	2.33	PCBA

 **Product description**

Manufacturer identification	Schneider Electric Industries SAS
Brand name	Schneider Electric
Product function	The cartridge of communication or I/O for Modicon M200
Product reference	TMCR2SL1S
Additional similar product references	TMCR2DM4U TMCR2AM3 TMCR2SL1S TMCR2SL1A
Total representative product mass	14 g
Representative product dimensions	43mm x 35mm x 19mm
Accessories	No
Date of information release	4/1/2024



Additional information

Legal information	This product family is in the scope of European Union directive 2012/19/EU on Waste Electrical and Electronic Equipment (WEEE). The product family must be disposed according to the legislation of the country. This document is intended for use by end of life recyclers or treatment facilities. It provides the basic information to assure an appropriate end of life treatment for the components and materials of the product.	
In case of special transportation: transportation method	No	
Recyclability potential	0%	Recyclability rate has been calculated based on REEECY'LAB tool developed by Ecosystem, for components/materials not covered by the tool, data from the "ECO'DEEEE recyclability and recoverability calculation method" was taken. If no data was found a conservative assumption was used (0% recyclability).

Schneider Electric Industries SAS

Country Customer Care Center

<http://www.se.com/contact>

35, rue Joseph Monier

CS 30323

F- 92500 Rueil Malmaison Cedex

RCS Nanterre 954 503 439

Capital social 928 298 512 €

www.se.com

ENVEOLI2404017_V1

Published by Schneider Electric

© 2023 - Schneider Electric – All rights reserved

4/1/2024