

# Product End of Life Instructions

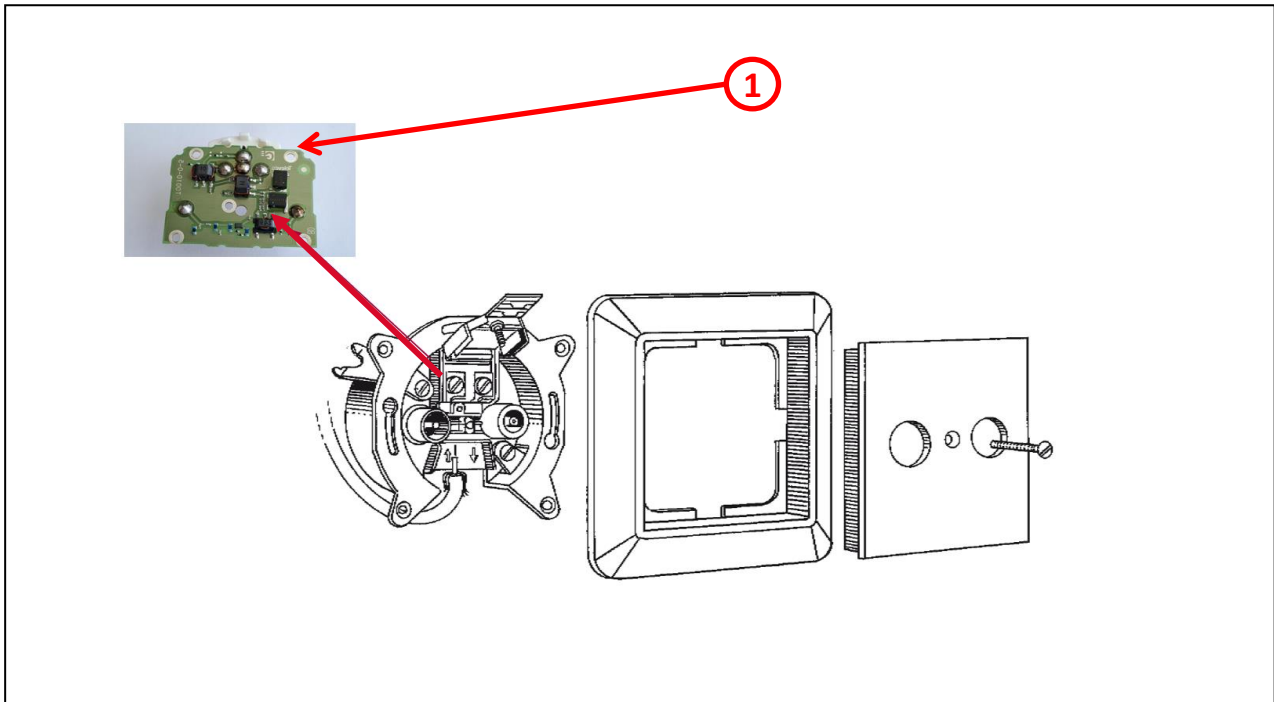
**TV/SAT/R socket, ELKO RS16, 3 dB tap loss, polar white**

**Representative of all types of ELKO RADIO/TV/SAT outlets, with or without the central plates, and the range accessories**





## End of Life Instructions



Recommendation	Number on drawing	Component / Material	Weight (in g)	Comment
To be depolluted	1	Electronic Board	2,1	

## Product description

Manufacturer identification	ELKO AS
Brand name	ELKO
Product function	The main function of the product is to transmit the television, radio and satellite frequencies coming from the cable to the connected plug.
Product reference	EKO06462
Additional similar product references	EKO06462 EKO05266 EKO50125 EKO50126 EKO05268 EKO04904 EKO04015 EKO08543 EKO04008 EKO04907 EKO04006 EKO09679 EKO04013 EKO30161 EKO99965 EKO30163 EKO30160 EKO30162 EKO99940 EKO09487 EKO30164 EKO30165 EKO09485
Total representative product mass	109.5 g
Representative product dimensions	120 x 304 x 92
Date of information release	05-2023

## Additional information

<b>Legal information</b>	This product family is in the scope of European Union directive 2012/19/EU on Waste Electrical and Electronic Equipment (WEEE). The product family must be disposed according to the legislation of the country. This document is intended for use by end of life recyclers or treatment facilities. It provides the basic information to assure an appropriate end of life treatment for the components and materials of the product.	
<b>Recyclability potential</b>	<b>28%</b>	Recyclability rate has been calculated based on REEECY'LAB tool developed by Ecosystem, for components/materials not covered by the tool, data from the "ECO'DEEEE recyclability and recoverability calculation method" was taken. If no data was found a conservative assumption was used (0% recyclability).

Schneider Electric Industries SAS  
35 rue Joseph Monier  
FR-92500 Rueil Malmaison

[elko.no/contact](http://elko.no/contact)

ENVEOLI2403001\_V1

Published by Schneider Electric Industries SAS

© 2024 - Schneider Electric Industries SAS – All rights reserved

05-2024