

Product End of Life Instructions

ATV680 LH DRIVE SYSTEMS IP23 315 / 250 kW





Potential disassembly risks

The information provided in this document assumes that the product is completely de-energized and uninstalled (refer to the instructions provided in the appropriate product manuals).

Dismantling/disassembling the product may entail hazards caused by, for example, sharp edges, chemical aggression or ejected parts.

⚠ WARNING

HAZARD DUE TO INSUFFICIENT PROTECTION

- Implement all safety measures required by the applicable regulations and by the processes used to dismantle/disassemble and dispose of the product.
- Use all necessary personal protective equipment such as gloves and goggles.

Failure to follow these instructions can result in death or serious injury.

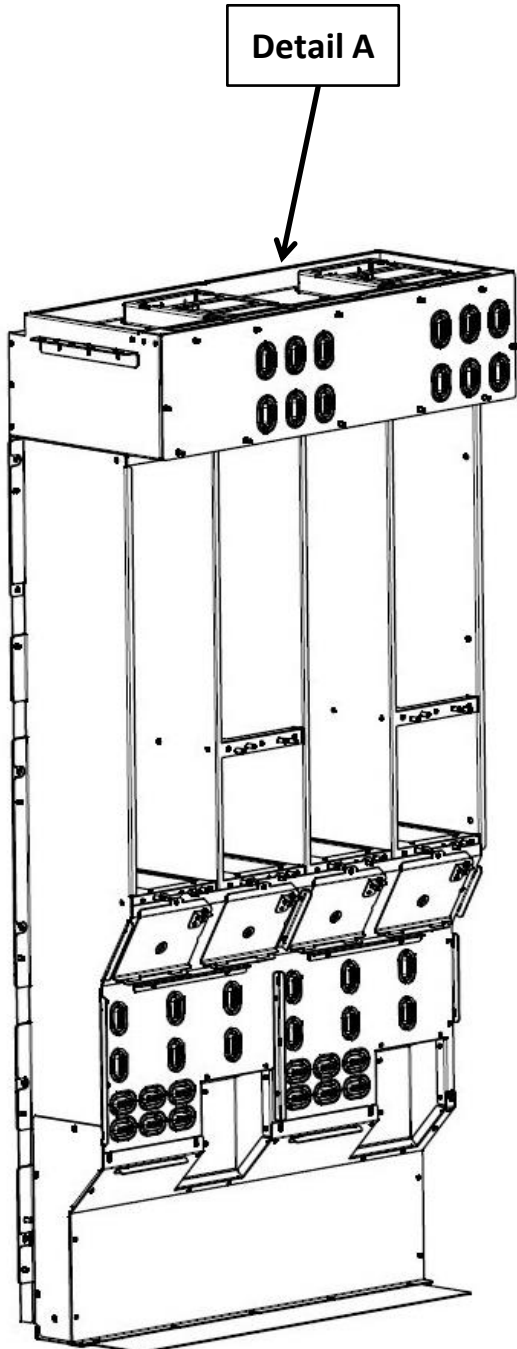
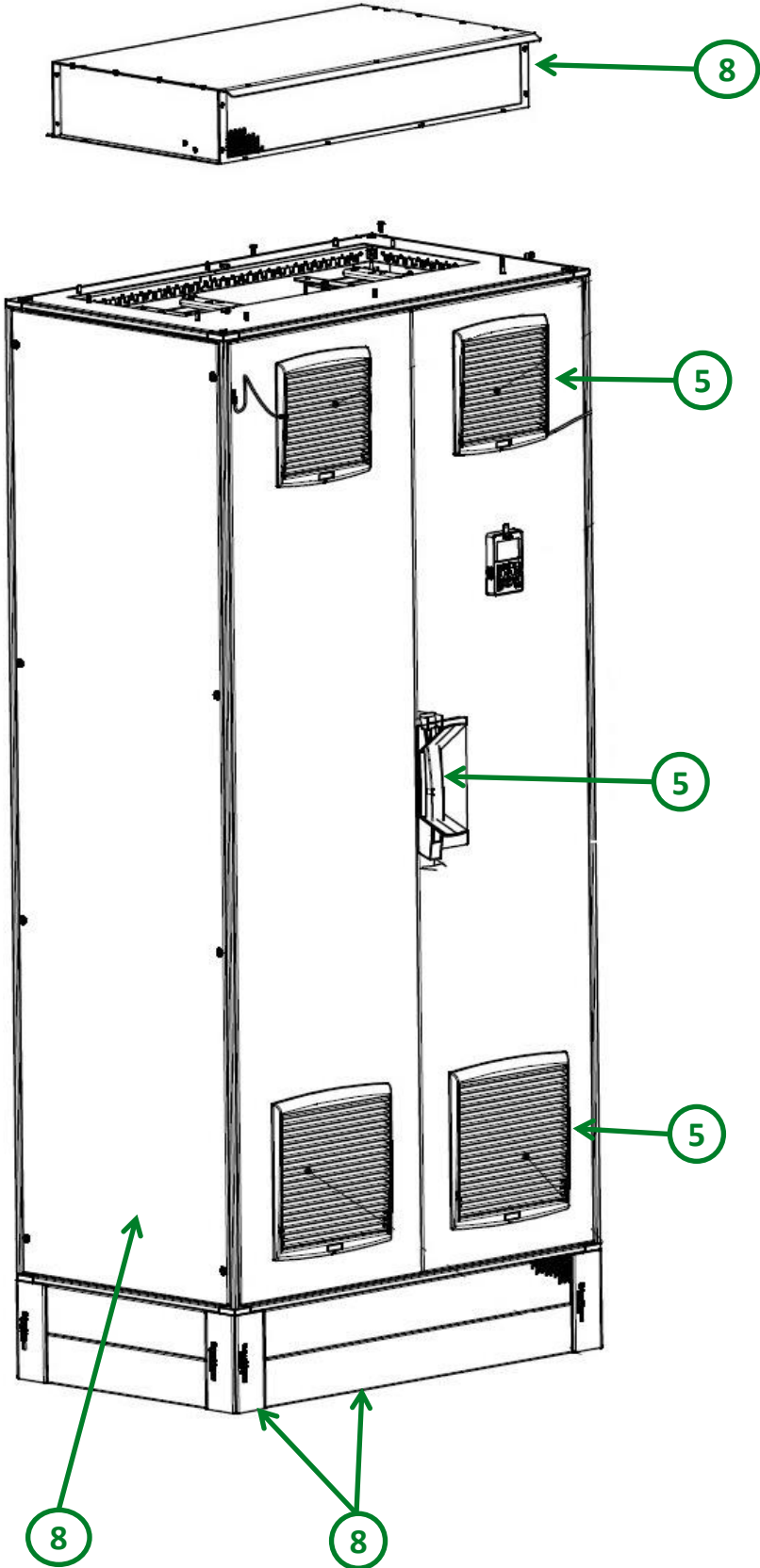
⚠ WARNING

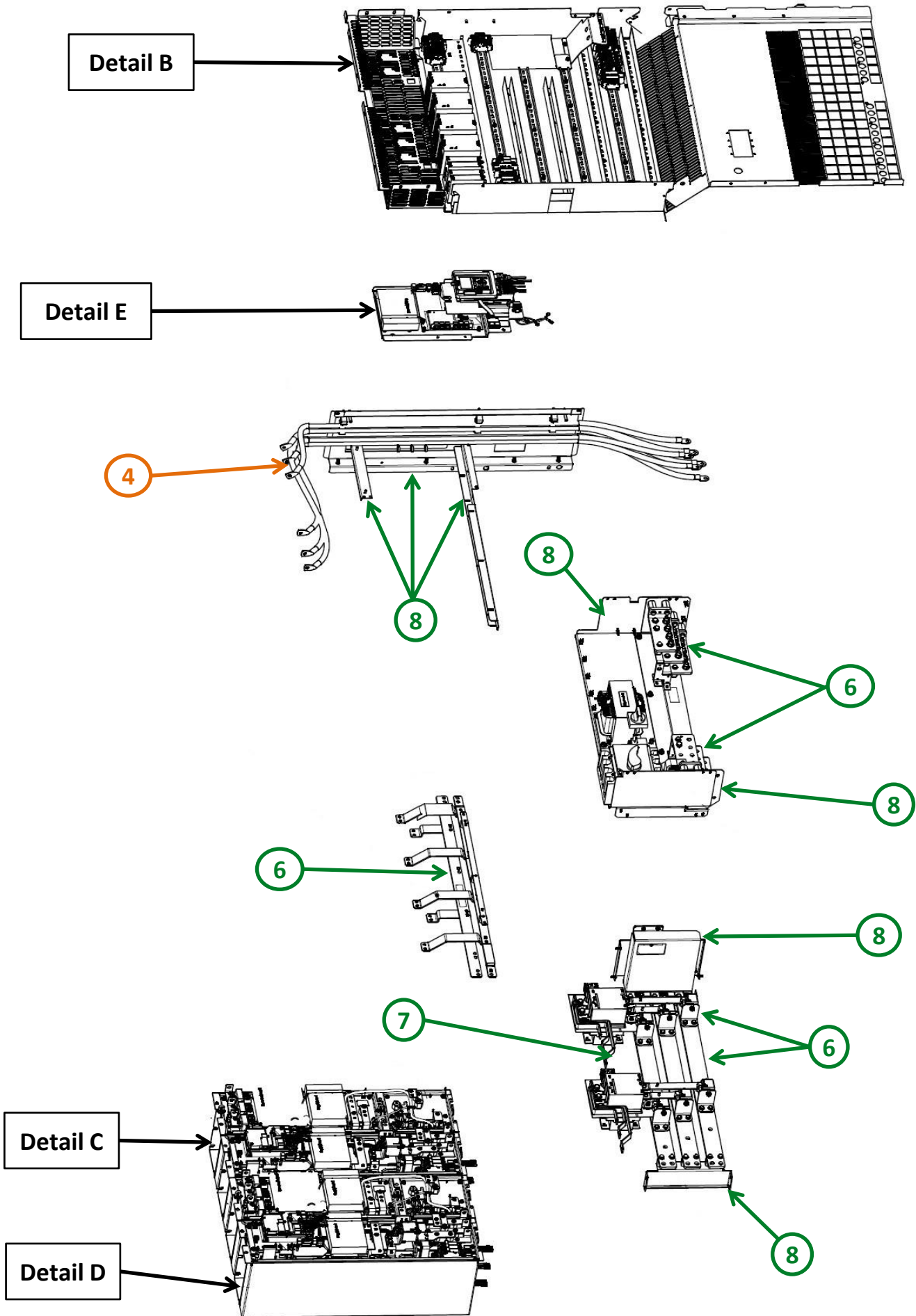
INCORRECT LIFTING AND HANDLING

Take all measures necessary to keep the equipment from swinging, toppling and falling.

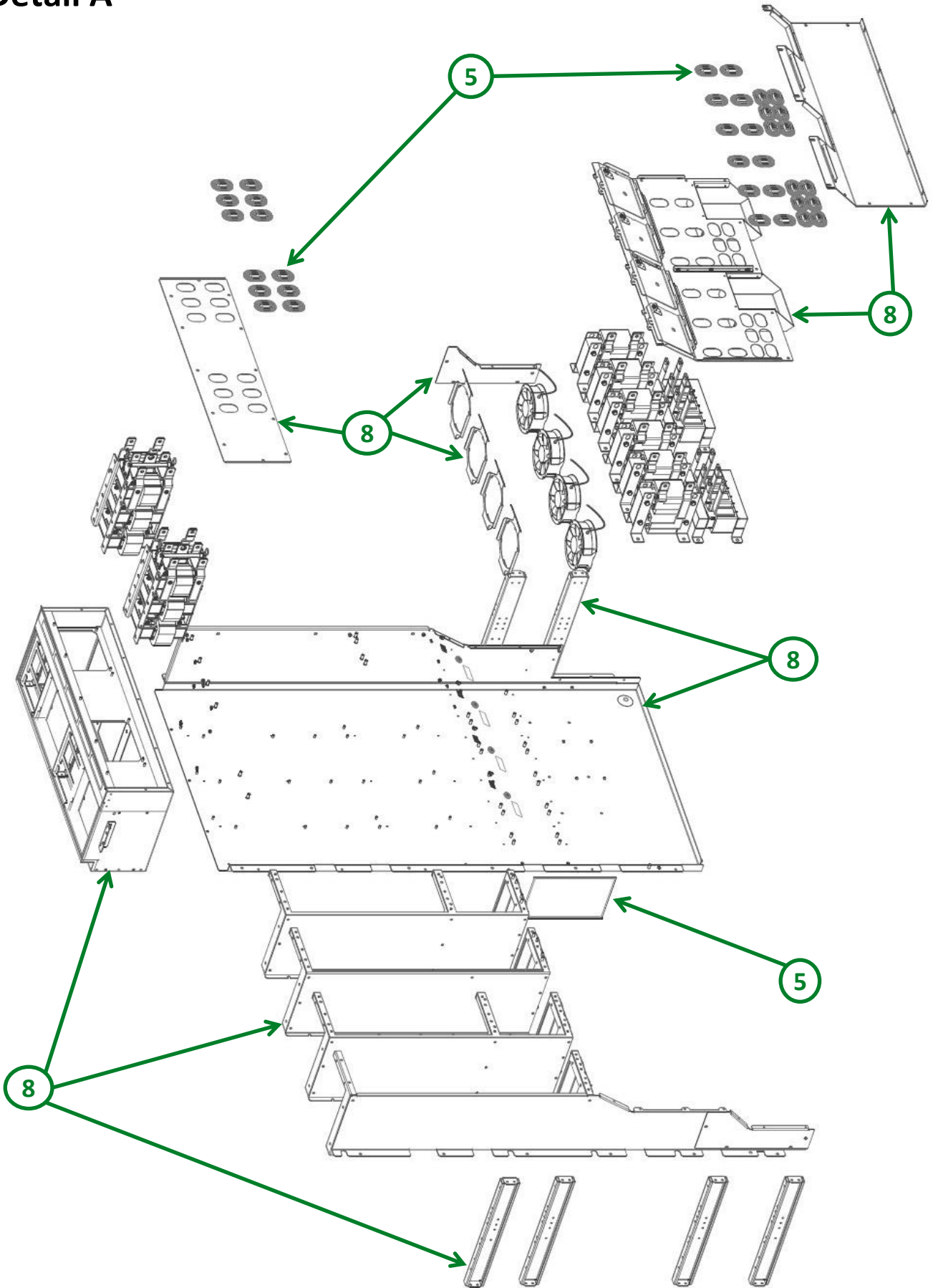
Failure to follow these instructions can result in death or serious injury.

 **End of Life Instructions**

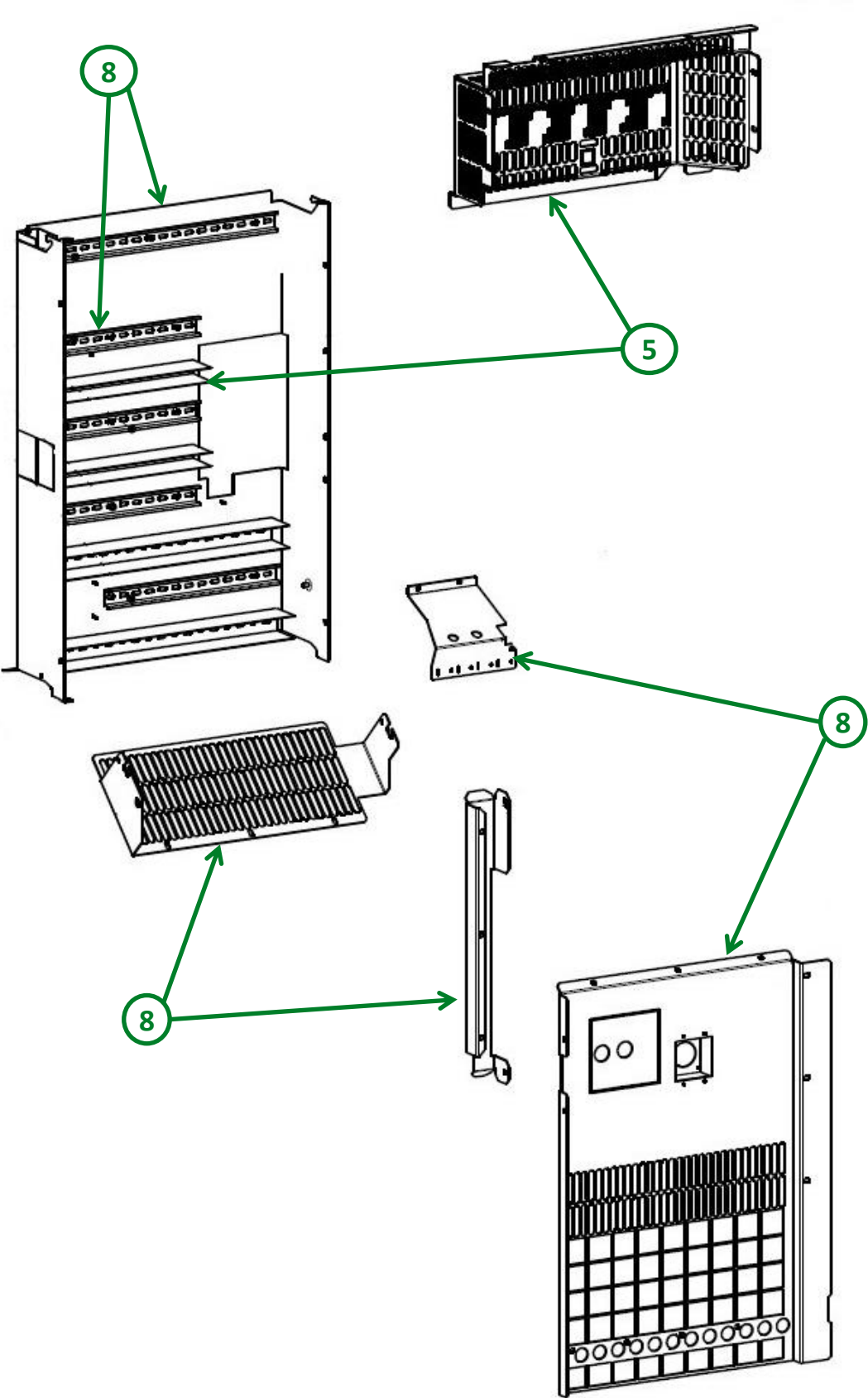




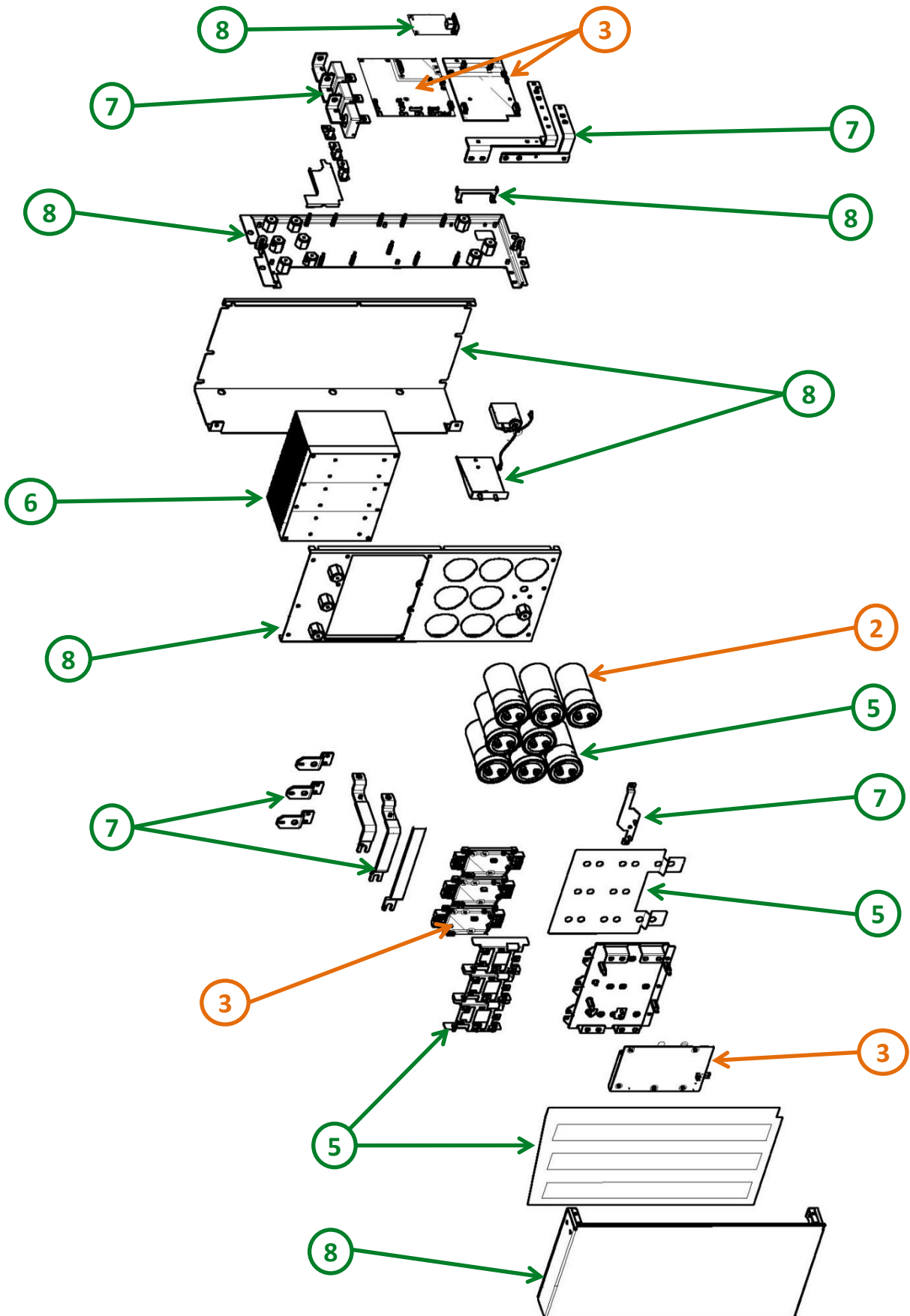
Detail A



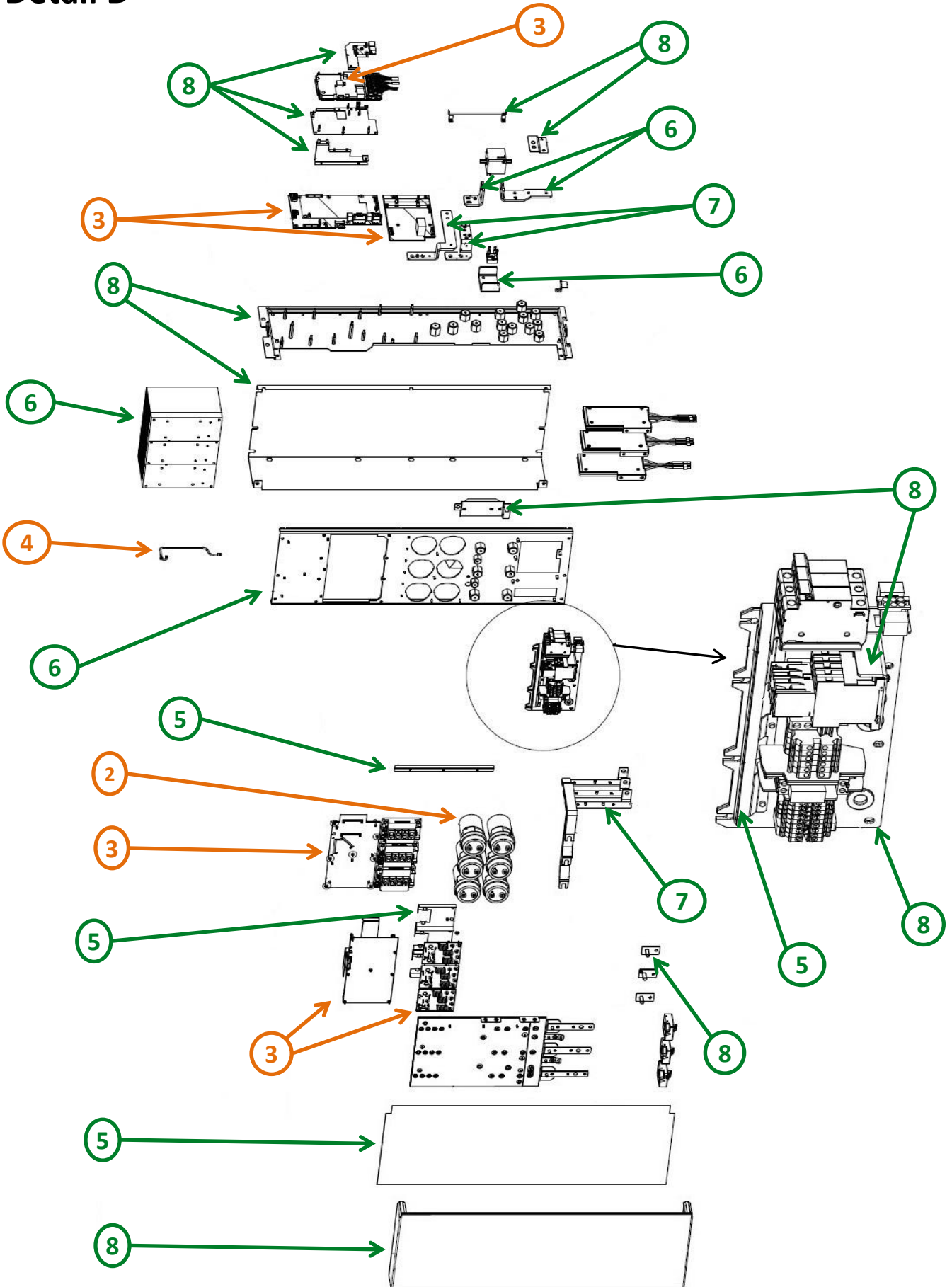
Detail B



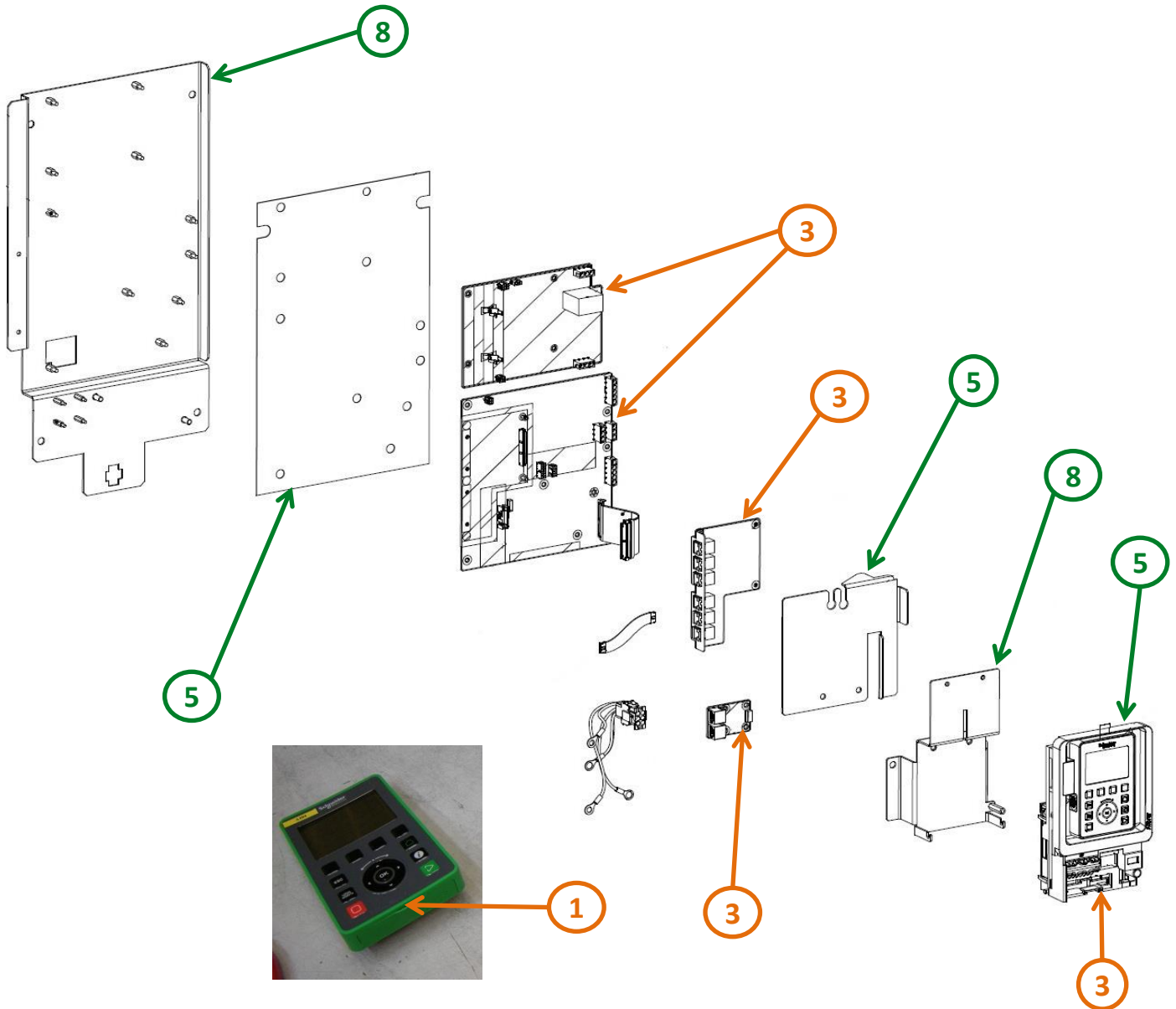
Detail C



Detail D



Detail E



Recommendation	Number on drawing	Component / Material	Weight (in g)	Comment
To be depolluted	1	Battery	3	Alkaline Battery
To be depolluted	2	Electrolyte capacitors which size: height > 25 mm, diameter > 25 mm or proportionately similar volume	10724	
To be depolluted	3	Electronic Board (Power & Communication) > 10cm ²	18688	
To be depolluted	4	Cable (high current)	9834	
To be dismantled	5	Plastic	6452	Insulation
To be dismantled	6	Aluminium	44351	Heatsink, Bars
To be dismantled	7	Copper	29638	Bars
To be dismantled	8	Steel	344325	Enclosure, Mounting Material, Housing
Other		Others	235985	Chokes, Semiconductor Modules, Laminated Busbar, Power Resistor, Insulation Standoff

Product description

Manufacturer identification	Schneider Electric Industries SAS
Brand name	Schneider Electric
Product function	The main function of the Altivar Process product range is the speed control and variation of a synchronous, asynchronous or reluctance electric motor for fluid management and industrial applications.
Product reference	ATV680C31Q4X1
Total representative product mass	700 kg
Representative product dimensions	1000mm x 2150mm x 664mm
Accessories	No accessories needed.
Date of information release	2023/11/28

Additional information

Legal information	This product family is in the scope of European Union directive 2012/19/EU on Waste Electrical and Electronic Equipment (WEEE). The product family must be disposed according to the legislation of the country. This document is intended for use by end of life recyclers or treatment facilities. It provides the basic information to assure an appropriate end of life treatment for the components and materials of the product.	
In case of special transportation: transportation method	No special transportation.	
Recyclability potential	79%	Recyclability rate has been calculated based on REEECY'LAB tool developed by Ecosystem, for components/materials not covered by the tool, data from the "ECO'DEEE recyclability and recoverability calculation method" was taken. If no data was found a conservative assumption was used (0% recyclability).

Circular Economy Information

Return of the product	This product contains electronic power modules that are intentionally designed for circularity. Instead of being locally scrapped or recycled, these modules can be returned to the Schneider Circular Center. They will undergo refurbishment to be reintroduced into the product lifecycle, promoting a more sustainable and resource-efficient approach.	
Return instructions		Follow the circularity instructions to return the electronic power modules. https://download.schneider-electric.com/files?p_Doc_Ref=BQT1299301

Schneider Electric Industries SAS

Country Customer Care Center
<http://www.schneider-electric.com/contact>

35, rue Joseph Monier
CS 30323
F- 92500 Rueil Malmaison Cedex
RCS Nanterre 954 503 439
Capital social 928 298 512 €

www.se.com

ENVEOLI2402004_V1

Published by Schneider Electric

© 2023 - Schneider Electric – All rights reserved

2023/11/28