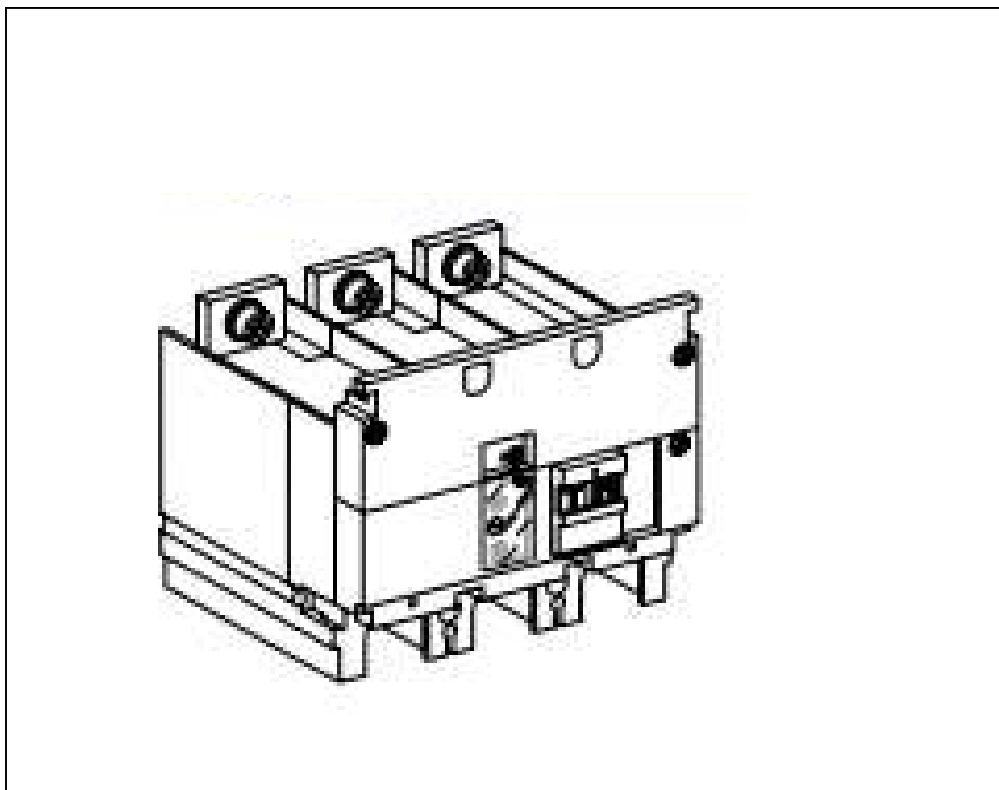


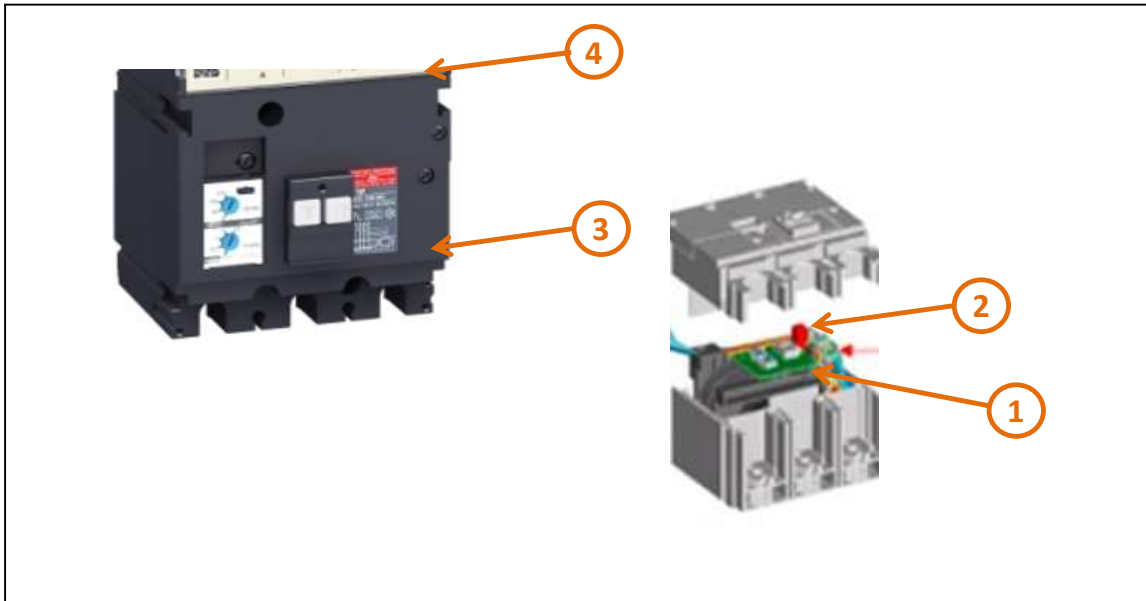
# Product End of Life Instructions

**Vigi module 200-440V 3P for CVS250**

**EasyPact CVS**



## End of Life Instructions



Recommendation	Number on drawing	Component / Material	Weight (in g)	Comment
To be depolluted	1,2	Electronic Board (Communication) > 10cm <sup>2</sup>	8.72	
To be depolluted	3,4	Other plastic parts with brominated flame retardants	7.58	

## Product description

Manufacturer identification	Schneider Electric Industries SAS
Brand name	Schneider Electric
Product function	<p>The Vigi module is the combination of CVS 100A-250A, 3 pole circuit breaker , Trip Unit (TMD or Electronic Micrologic).</p> <p>The main purpose of the 3P Vigi module is to protect installations against insulation faults. Earth-leakage protection is achieved by installing a vigi module directly on the downstream side of the circuit breaker terminals.</p> <p>It directly actuates the toggle mechanism of the breaker through the trip unit (magnetic, thermal-magnetic or Micrologic).</p>
Product reference	LV529492
Additional similar product references	LV529488 LV529489 LV529492 LV529493
Total representative product mass	870 g
Representative product dimensions	105mm x 236mm x 86mm
Accessories	No
Date of information release	2023/12/13

## Additional information

Legal information	This product family is in the scope of European Union directive 2012/19/EU on Waste Electrical and Electronic Equipment (WEEE). The product family must be disposed according to the legislation of the country. This document is intended for use by end of life recyclers or treatment facilities. It provides the basic information to assure an appropriate end of life treatment for the components and materials of the product.	
In case of special transportation: transportation method	No	
Recyclability potential	65%	Recyclability rate has been calculated based on REEECY'LAB tool developed by Ecosystem, for components/materials not covered by the tool, data from the "ECO' DEEE recyclability and recoverability calculation method" was taken. If no data was found a conservative assumption was used (0% recyclability).

Schneider Electric Industries SAS  
Country Customer Care Center  
<http://www.schneider-electric.com/contact>  
35, rue Joseph Monier  
CS 30323  
F- 92500 Rueil Malmaison Cedex  
RCS Nanterre 954 503 439  
Capital social 896 313 776 €

[www.se.com](http://www.se.com)

ENVEOLI2312017\_V1

Published by Schneider Electric

© 2023 - Schneider Electric – All rights reserved

2023/12/13