

Product End of Life Instructions

Lexium BCH18 Servo Motor 400W M60 23bit OPTO MT

Easy lexium 18



Potential disassembly risks

The information provided in this document assumes that the product is completely de-energized and uninstalled (refer to the instructions provided in the appropriate product manuals).

Dismantling/disassembling the product may entail hazards caused by, for example, sharp edges, chemical aggression or ejected parts.

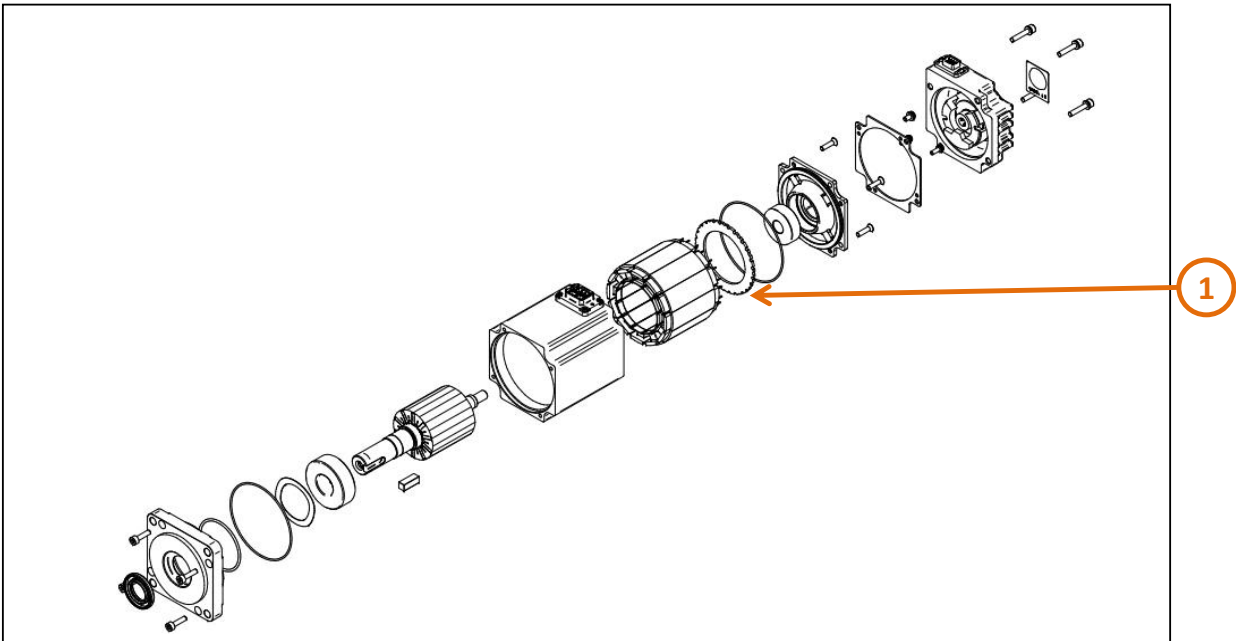
WARNING

HAZARD DUE TO INSUFFICIENT PROTECTION

- Implement all safety measures required by the applicable regulations and by the processes used to dismantle/disassemble and dispose of the product.
- Use all necessary personal protective equipment such as gloves and goggles.

Failure to follow these instructions can result in death or serious injury.

End of Life Instructions



Recommendation	Number on drawing	Component / Material	Weight (in g)	Comment
To be depolluted	1	Electronic Board (Communication) > 10cm ²	70.25	PCBA
Other		Others	1079.75	Framework, Iron core



Product description

Manufacturer identification	Schneider Electric Industries SAS
Brand name	Schneider Electric
Product function	The main purpose of the BCH18 servo motor is together with Lexium18 drive as well as a comprehensive portfolio of options and accessories to achieve a high performance drive solution.
Product reference	BCH18MD0433CA5C
Additional similar product references	BCH18LB0133CA5C BCH18LB0133CF5C BCH18LBA533CA5C BCH18LBA533CF5C BCH18LD0233CA5C BCH18LD0233CF5C BCH18LD0433CA5C BCH18LD0433CF5C BCH18LF0733CA5C BCH18LF0733CF5C BCH18LF1033CA5C BCH18LF1033CF5C BCH18LH1033CA6C BCH18LH1033CF6C BCH18LH1533CA6C BCH18LH1533CF6C BCH18LH2033CA6C BCH18LH2033CF6C BCH18LM3033CA6C BCH18LM3033CF6C BCH18MB0133CA5C BCH18MB0133CF5C BCH18MBA533CA5C BCH18MBA533CF5C BCH18MD0133CA5C BCH18MD0133CF5C BCH18MD0233CA5C BCH18MD0233CF5C BCH18MD0433CF5C BCH18MF0233CA5C BCH18MF0233CF5C
Total representative product mass	1150 g
Representative product dimensions	60mmx60mmx126mm
Accessories	Cable
Date of information release	2024/09/05



Additional information

Legal information	This product family is in the scope of European Union directive 2012/19/EU on Waste Electrical and Electronic Equipment (WEEE). The product family must be disposed according to the legislation of the country. This document is intended for use by end of life recyclers or treatment facilities. It provides the basic information to assure an appropriate end of life treatment for the components and materials of the product.	
In case of special transportation: transportation method	No special transportation.	
Recyclability potential	83%	Recyclability rate has been calculated based on REEECY'LAB tool developed by Ecosystem, for components/materials not covered by the tool, data from the "ECO'DEEE recyclability and recoverability calculation method" was taken. If no data was found a conservative assumption was used (0% recyclability).

Schneider Electric Industries SAS
Country Customer Care Center
<http://www.schneider-electric.com/contact>
35, rue Joseph Monier
CS 30323
F- 92500 Rueil Malmaison Cedex
RCS Nanterre 954 503 439
Capital social 928 298 512 €

www.se.com

ENVEOLI2311014_V2

Published by Schneider Electric

© 2023 - Schneider Electric – All rights reserved

2024/09/05