

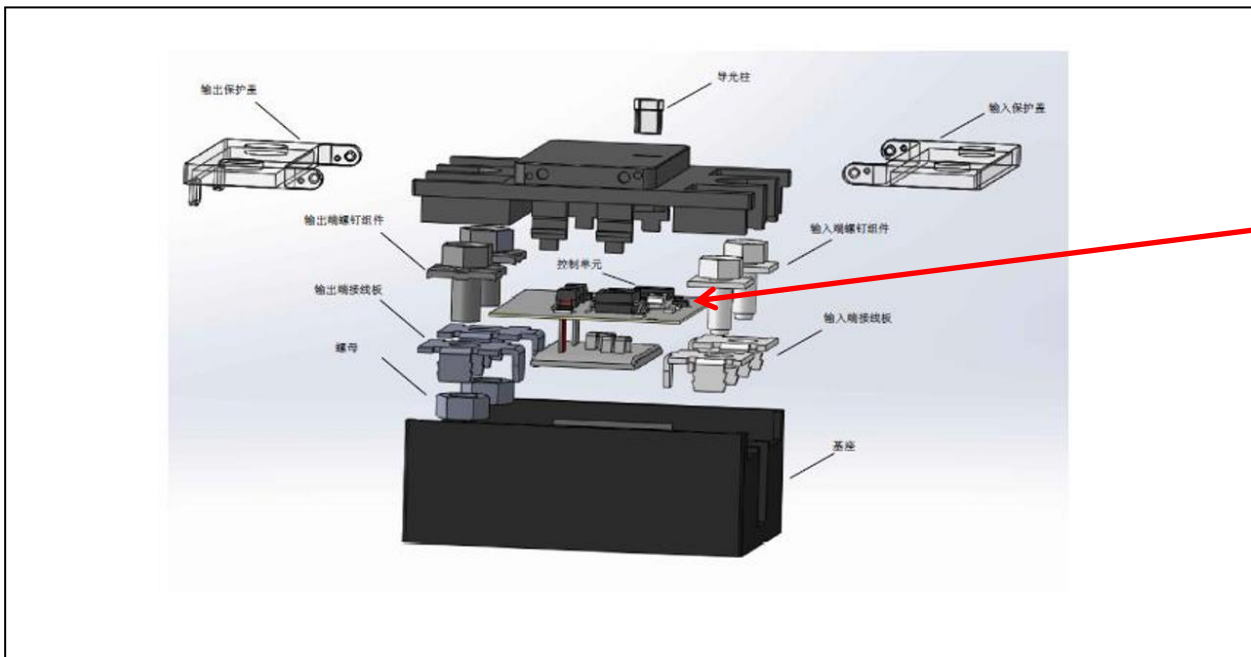
# Product End of Life Instructions

## Easy Harmony Solid State Relays

### Easy Series SSP1



## End of Life Instructions



Recommendation	Number on drawing	Component / Material	Weight (in g)	Comment
To be depolluted	1	Electronic Board (Communication) > 10cm <sup>2</sup>	44.93	PCBA
Other				Except of the above parts

## Product description

Manufacturer identification	Schneider Electric Industries SAS
Brand name	Schneider Electric
Product function	The main purpose of the panel mount SSR is to serve as an electronic switching device, in which a small control signal controls a larger load of current or voltage.
Product reference	SSP1A125BDE
Additional similar product references	SSP1A110BDE SSP1A150BDE SSP1A175BDE SSP1A190BDE SSP1A1125BDE
Total representative product mass	125 g
Representative product dimensions	29mm x 59mm x 45mm
Accessories	No
Date of information release	2024/09/04



## Additional information

<b>Legal information</b>	This product family is in the scope of European Union directive 2012/19/EU on Waste Electrical and Electronic Equipment (WEEE). The product family must be disposed according to the legislation of the country. This document is intended for use by end of life recyclers or treatment facilities. It provides the basic information to assure an appropriate end of life treatment for the components and materials of the product.	
<b>In case of special transportation: transportation method</b>	No special transportation.	
<b>Recyclability potential</b>	<b>39%</b>	Recyclability rate has been calculated based on REEECY'LAB tool developed by Ecosystem, for components/materials not covered by the tool, data from the "ECO' DEEE recyclability and recoverability calculation method" was taken. If no data was found a conservative assumption was used (0% recyclability).

Schneider Electric Industries SAS  
Country Customer Care Center  
<http://www.schneider-electric.com/contact>  
35, rue Joseph Monier  
CS 30323  
F- 92500 Rueil Malmaison Cedex  
RCS Nanterre 954 503 439  
Capital social 928 298 512 €

[www.se.com](http://www.se.com)

ENVEOLI2308036\_V2

Published by Schneider Electric

© 2023 - Schneider Electric – All rights reserved

2024/09/04