

Product End of Life Instructions

Harmony XA2 Non Illuminated Pushbutton



Potential disassembly risks

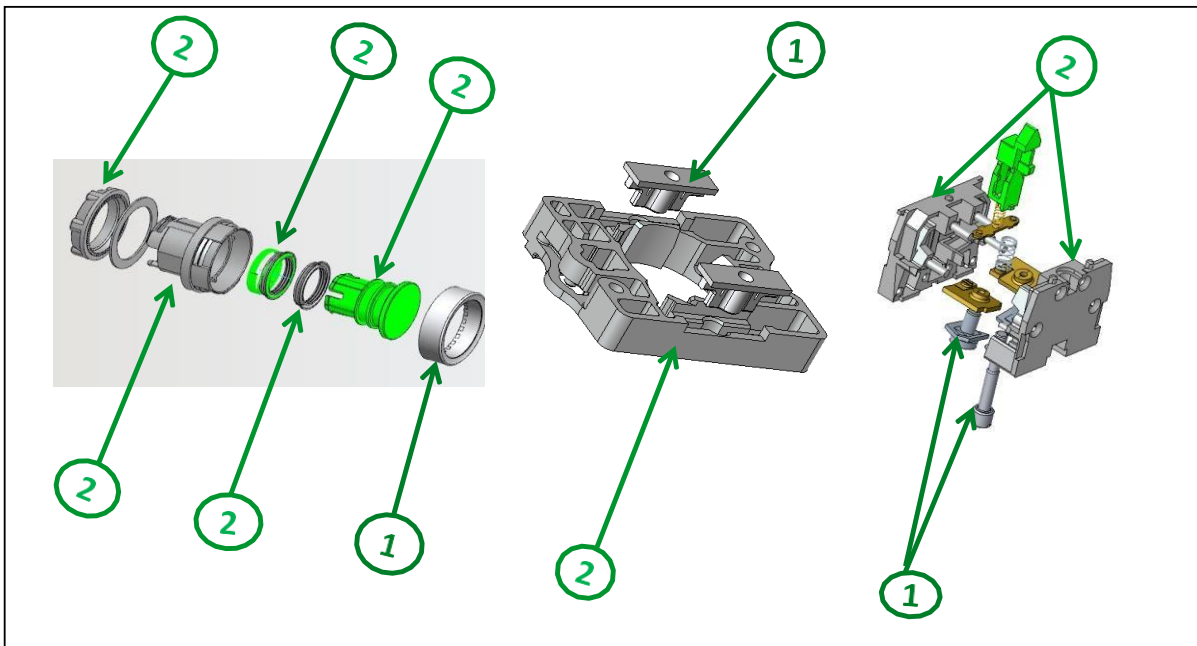
⚠ CAUTION

HAZARD OF PARTS WITH SHARP EDGES

Apply appropriate personal protective equipment (PPE) during disassembly.

Failure to follow these instructions can result in injury.

🔧 End of Life Instructions



Recommendation	Number on drawing	Component / Material	Weight (in g)	Comment
To be dismantled	1	Metal ring, Screw, Terminal, Bracket	9.43	Metal Parts
To be dismantled	2	Fixing base, Bezel, Contact cover, Housing	22.57	Plastic Parts

Product description

Manufacturer identification	Schneider Electric Industries SAS
Brand name	Schneider Electric
Product function	Push button switch is usually used to turn on and off the control circuit and it is a kind of control switch appliance that is widely used in industrial applications.
Product reference	XA2EA31
Additional similar product references	XA2EA11, XA2EA21, XA2EA25, XA2EA3311, XA2EA3341, XA2EA3351, XA2EA35, XA2EA41, XA2EA42, XA2EA4342, XA2EA45, XA2EA51, XA2EA61, XA2EA6511, ZA2BA3, ZA2BA4, ZA2BA331, ZA2BA6, ZA2BA639, ZA2BA1, ZA2BA131, ZA2BA133, ZA2BA19, ZA2BA1H66, ZA2BA22H66, ZA2BA232, ZA2BA234, ZA2BA2447, ZA2BA24H66, ZA2BA2H66, ZA2BA2TQ, ZA2BA32, ZA2BA32H66, ZA2BA3319, ZA2BA3339, ZA2BA3349, ZA2BA3359, ZA2BA3369, ZA2BA3379, ZA2BA3389, ZA2BA3419, ZA2BA3429, ZA2BA343, ZA2BA3439, ZA2BA344, ZA2BA3449, ZA2BA34H66, ZA2BA3H66, ZA2BA3TQ, ZA2BA42, ZA2BA42H66, ZA2BA4329, ZA2BA4339, ZA2BA4349, ZA2BA4359, ZA2BA44H66, ZA2BA49, ZA2BA4H66, ZA2BA4TQ, ZA2BA52, ZA2BA54H66, ZA2BA59, ZA2BA5H66, ZA2BA62, ZA2BA62H66, ZA2BA6399, ZA2BA64H66, ZA2BA69, ZA2BA6H66, ZA2BA8112, ZA2BA8122, ZA2BA8123, ZA2BA8133, ZA2BA8212, ZA2BA8224, ZA2BA83, ZA2BA84, ZA2BA8401, ZA2BA9112, ZA2BA9122, ZA2BA9124, ZA2BA9133, ZA2BA9212, ZA2BA9224, ZA2BA9534, ZA2BA9724, ZA2BA9734, ZA2BA136, ZA2BA137, ZA2BA141, ZA2BA142, ZA2BA22, ZA2BA233, ZA2BA235, ZA2BA24, ZA2BA29, ZA2BA332, ZA2BA333, ZA2BA334, ZA2BA335, ZA2BA336, ZA2BA337, ZA2BA338, ZA2BA339, ZA2BA34, ZA2BA341, ZA2BA342, ZA2BA345, ZA2BA346, ZA2BA38, ZA2BA39, ZA2BA432, ZA2BA433, ZA2BA434, ZA2BA435, ZA2BA44, ZA2BA48, ZA2BA5, ZA2BA2, ZA2BA54, ZA2BA58, ZA2BA64, ZA2BA68, ZA2BA78, ZA2BA8, ZA2BA8134, ZA2BA8234, ZA2BA86, ZA2BA8602, ZA2BA9134, ZA2BA9234, XA2EA31, XA2EA7A3415, XA2EA4322
Total representative product mass	32 g
Representative product dimensions	H52.7 mm x L42 mm x D30 mm
Accessories	No accessories needed
Date of information release	10/2023

Additional information

Legal information	This product family is in the scope of European Union directive 2012/19/EU on Waste Electrical and Electronic Equipment (WEEE). The product family must be disposed according to the legislation of the country. This document is intended for use by end of life recyclers or treatment facilities. It provides the basic information to assure an appropriate end of life treatment for the components and materials of the product.
In case of special transportation: transportation method	No specific means of transportation are required.
Recyclability potential	29% Recyclability rate has been calculated based on REEECY'LAB tool developed by Ecosystem, for components/materials not covered by the tool, data from the "ECO'DEEEE recyclability and recoverability calculation method" was taken. If no data was found a conservative assumption was used (0% recyclability).

Schneider Electric Industries SAS
Country Customer Care Center
<http://www.schneider-electric.com/contact>
35, rue Joseph Monier
CS 30323
F- 92500 Rueil Malmaison Cedex
RCS Nanterre 954 503 439
Capital social 896 313 776 €

www.se.com

ENVEOLI2308016_V1

Published by Schneider Electric

© 2023 - Schneider Electric – All rights reserved

10/2023