

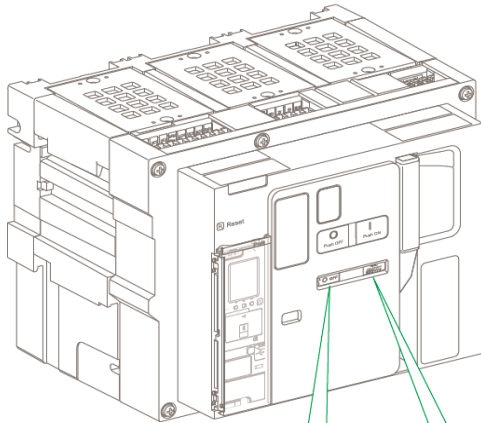
Product End of Life Instructions

MasterPacT NW25H1 3P Drawout with MicroLogic 5.0A Control Unit



Potential disassembly risks

The Breaker must be in **OFF** Position and **DISCHARGED** state before starting Dismantling operations



DANGER

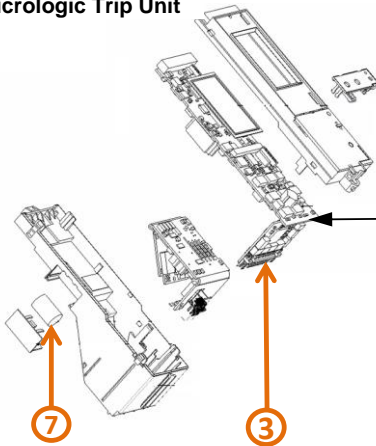
HAZARD OF ELECTRIC SHOCK, EXPLOSION, OR ARC FLASH

- Apply appropriate personal protective equipment (PPE) and follow safe electrical work practices. See NFPA 70E or CSA Z462 or local equivalent.
- This equipment must be installed and serviced by qualified electrical personnel.
- Turn off all power supplying this equipment before performing maintenance inspections. Assume that all circuits are live until they are de-energized, tested, grounded, and tagged. Consider all sources of power, including the possibility of backfeeding and control power.
- Always use a properly rated voltage sensing device to confirm that power is off.
- Replace all devices, doors, and covers before turning on power to this equipment.
- Beware of potential hazards and carefully inspect the work area for tools and objects that may have been left inside the equipment.

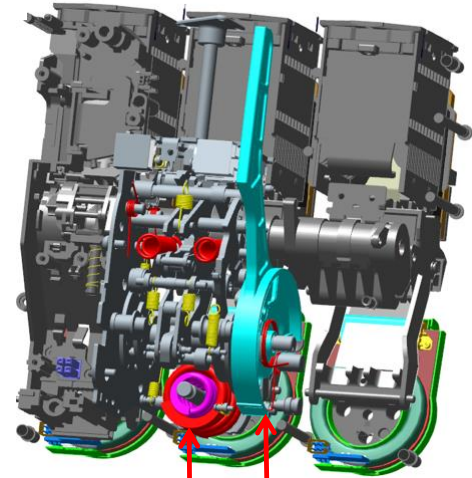
Failure to follow these instructions will result in death or serious injury.

End of Life Instructions

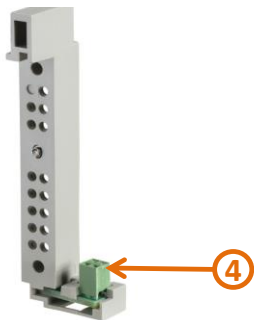
Micrologic Trip Unit



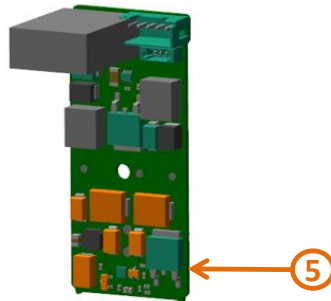
Front view – Front Cover Removed



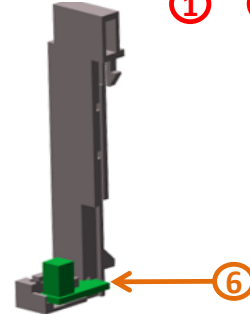
Sensor Plug



MNMX Coil PCBA



Performer



Recommendation	Number on drawing	Component / Material	Weight (in g)	Comment
Potential hazards	1	Spring	374 g	For safety reasons the Energy Springs must not be dismantled The entire mechanism can be put in a shredding machine as is
Potential hazards	2	Plastic part with FR	65.92 g	Stop Spindle Spacer
To be depolluted	3	Electronic Board	58.5 g	ELA Micrologic PCBA
To be depolluted	4	Electronic Board	0.37 g	2500A Rating Board Sensor PCBA
To be depolluted	5	Electronic Board	10.62 g	PCBA MNMX 220V (2 nos)
To be depolluted	6	Electronic Board	0.36 g	Version4 Performer Board
To be depolluted	7	Battery	9.6 g	LI/SOCL2 1/2AA 3.6V 900mAh Battery



Product description

Manufacturer identification	Schneider Electric Industries SAS
Brand name	Schneider Electric
Product function	The MasterPact NW25 H1 3P Drawout Circuit Breaker is designed to guarantee the protection of a low voltage electrical distribution system with assigned voltage up to 690V AC and rated current of 2500A. The breaker can be remotely operated using MX release and MN release Coils. The Micrologic 5.0A control unit fitted with the circuit breaker enhances protection of electrical installation under fault conditions.
Product reference	48300
Total representative product mass	85000 g
Representative product dimensions	439mm x 441mm x 395mm
Accessories	Yes
Date of information release	11/2023



Additional information

Legal information	This product family is in the scope of European Union directive 2012/19/EU on Waste Electrical and Electronic Equipment (WEEE). The product family must be disposed according to the legislation of the country. This document is intended for use by end of life recyclers or treatment facilities. It provides the basic information to assure an appropriate end of life treatment for the components and materials of the product.
In case of special transportation: transportation method	No
Recyclability potential	70% Recyclability rate has been calculated based on REEECY'LAB tool developed by Ecosystem, for components/materials not covered by the tool, data from the "ECO'DEEE recyclability and recoverability calculation method" was taken. If no data was found a conservative assumption was used (0% recyclability).

Schneider Electric Industries SAS
Country Customer Care Center
<http://www.se.com/contact>
35, rue Joseph Monier
CS 30323
F- 92500 Rueil Malmaison Cedex
RCS Nanterre 954 503 439
Capital social 896 313 776 €
www.se.com

Published by Schneider Electric

ENVEOLI2307018_V1

© 2023 - Schneider Electric – All rights reserved

11/2023