

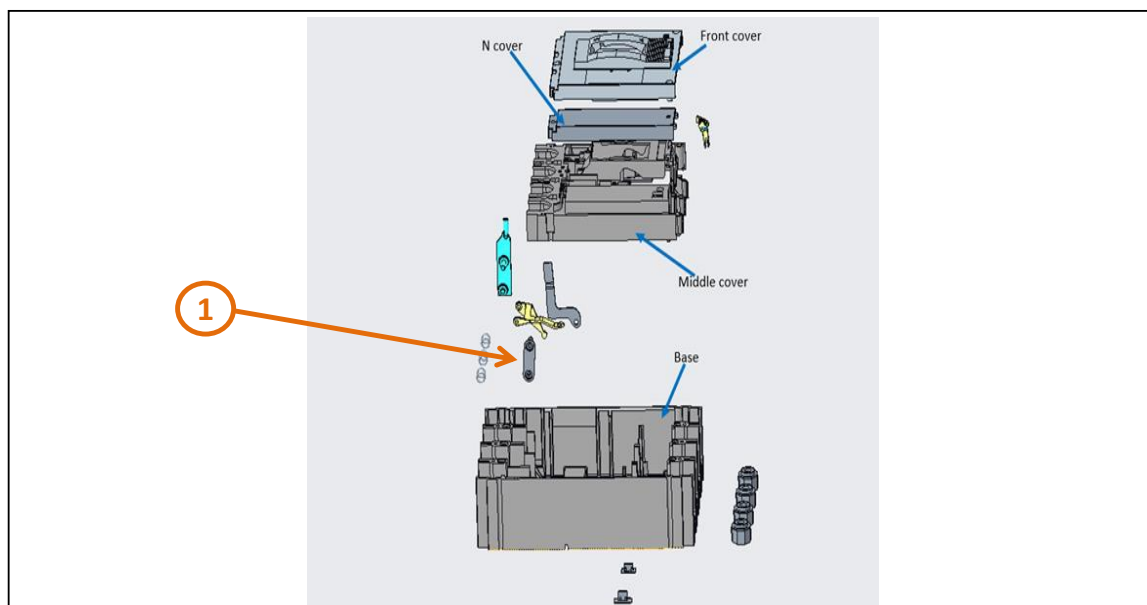
Product End of Life Instructions

Easycompact Ezc630N circuit breaker, TMD, 600A ,3P3D

EasyPact Ezc



End of Life Instructions



Recommendation	Number on drawing	Component / Material	Weight (in g)	Comment
To be depolluted	1	Plastic with brominated FR 17	1.3	

Product description

Manufacturer identification	Schneider Electric Industries SAS
Brand name	Schneider Electric
Product function	EasyPact EZC630N is a 3 poles fixed circuit breaker designed for the protection of low voltage electrical installations. The breaking capacity (Icu) is 36kA rms at 415VAC 50/60Hz. The operational voltage is 440VAC 50/60Hz or 250VDC. The rating of the thermal-magnetic trip unit is 600A. The trip unit provides fixed overload and instantaneous protections. This 3 poles version (140mm x 255mm x 110mm) comes with a variety of optional functions and accessories.
Product reference	EZC630N3600N
Additional similar product references	Easypact EZC400~630N/H circuit breaker, 3P and 4P
Total representative product mass	4800 g
Representative product dimensions	255mm x 110mm x 140mm
Accessories	No
Date of information release	09-2024



Additional information

Legal information	This product family is in the scope of European Union directive 2012/19/EU on Waste Electrical and Electronic Equipment (WEEE). The product family must be disposed according to the legislation of the country. This document is intended for use by end of life recyclers or treatment facilities. It provides the basic information to assure an appropriate end of life treatment for the components and materials of the product.	
In case of special transportation: transportation method	No	
Recyclability potential	84%	Recyclability rate has been calculated based on REEECY [®] LAB tool developed by Ecosystem, for components/materials not covered by the tool, data from the “ECO’ DEEE recyclability and recoverability calculation method” was taken. If no data was found a conservative assumption was used (0% recyclability).

Schneider Electric Industries SAS
 Country Customer Care Center
<http://www.se.com/contact>
 35, rue Joseph Monier
 CS 30323
 F- 92500 Rueil Malmaison Cedex
 RCS Nanterre 954 503 439
 Capital social 928 298 512 €

www.se.com

ENVEOLI2211025_V2

Published by Schneider Electric

© 2023 - Schneider Electric – All rights reserved

09-2024