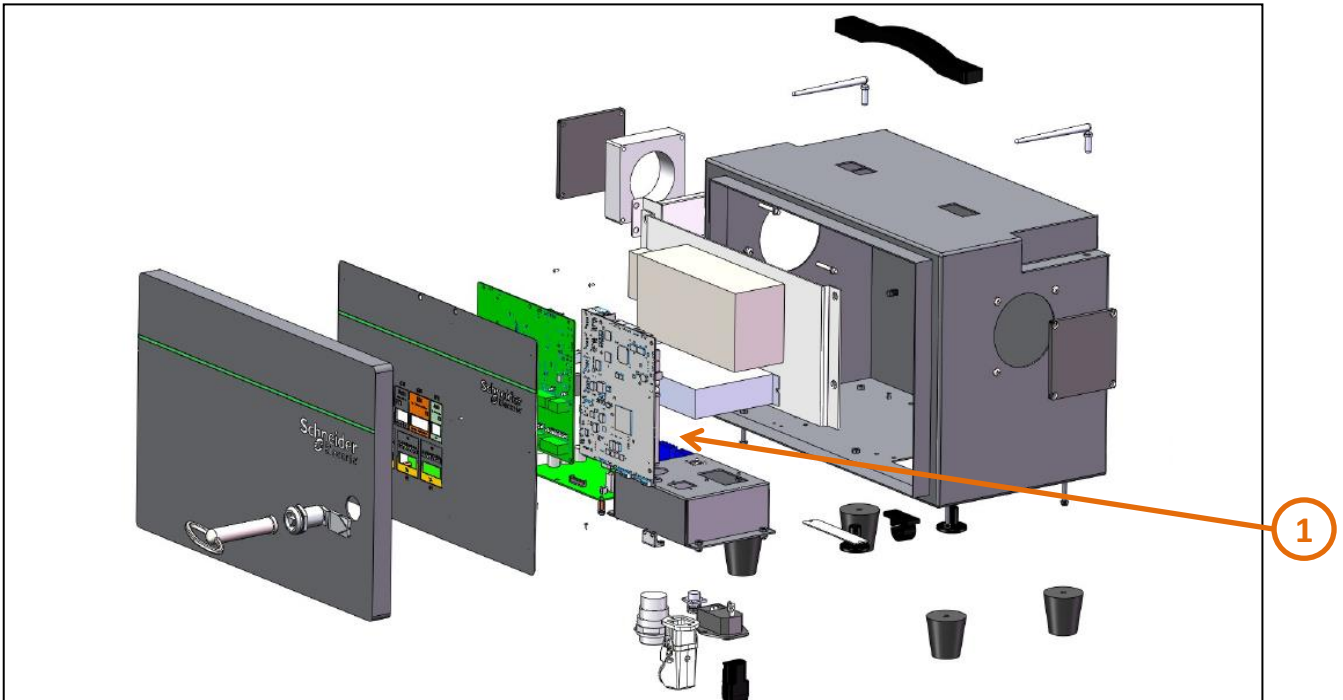


Product End of Life Instructions

Lexium Cobot - Cobot Controller



End of Life Instructions



Recommendation	Number on drawing	Component / Material	Weight (in g)	Comment
To be depolluted	1	Electronic Boards (Power) > 10cm ²	642,94	6 Boards

Product description

Manufacturer identification	Schneider Electric Industries SAS
Brand name	Schneider Electric
Total representative product mass	14Kg
Representative product dimensions	410mm x 308mm x 235mm
Date of information release	05/2023

Additional information

Legal information	This product family is in the scope of European Union directive 2012/19/EU on Waste Electrical and Electronic Equipment (WEEE). The product family must be disposed according to the legislation of the country. This document is intended for use by end of life recyclers or treatment facilities. It provides the basic information to assure an appropriate end of life treatment for the components and materials of the product.	
Recyclability potential	86%	Based on "ECO'DEEE recyclability and recoverability calculation method" (version V1, 20 Sep. 2008 presented to the French Agency for Environment and Energy Management: ADEME).

Schneider Electric Industries SAS

Country Customer Care Center
<http://www.schneider-electric.com/contact>

35, rue Joseph Monier
CS 30323
F- 92506 Rueil Malmaison Cedex
RCS Nanterre 954 503 439
Capital social 896 313 776 €

www.schneider-electric.com

ENVEOLI2209023_V1

Published by Schneider Electric

© 2019 - Schneider Electric – All rights reserved

05/2023