

Product End of Life Instructions


CD2 CO2 Sensor



Potential disassembly risks

Risk of electric shock due to secondary electrical components connected.

⚠ DANGER



HAZARD OF ELECTRIC SHOCK

- Switch off voltage source of panel prior to disassemble product.
- Use Proper PPE before handling the equipment.

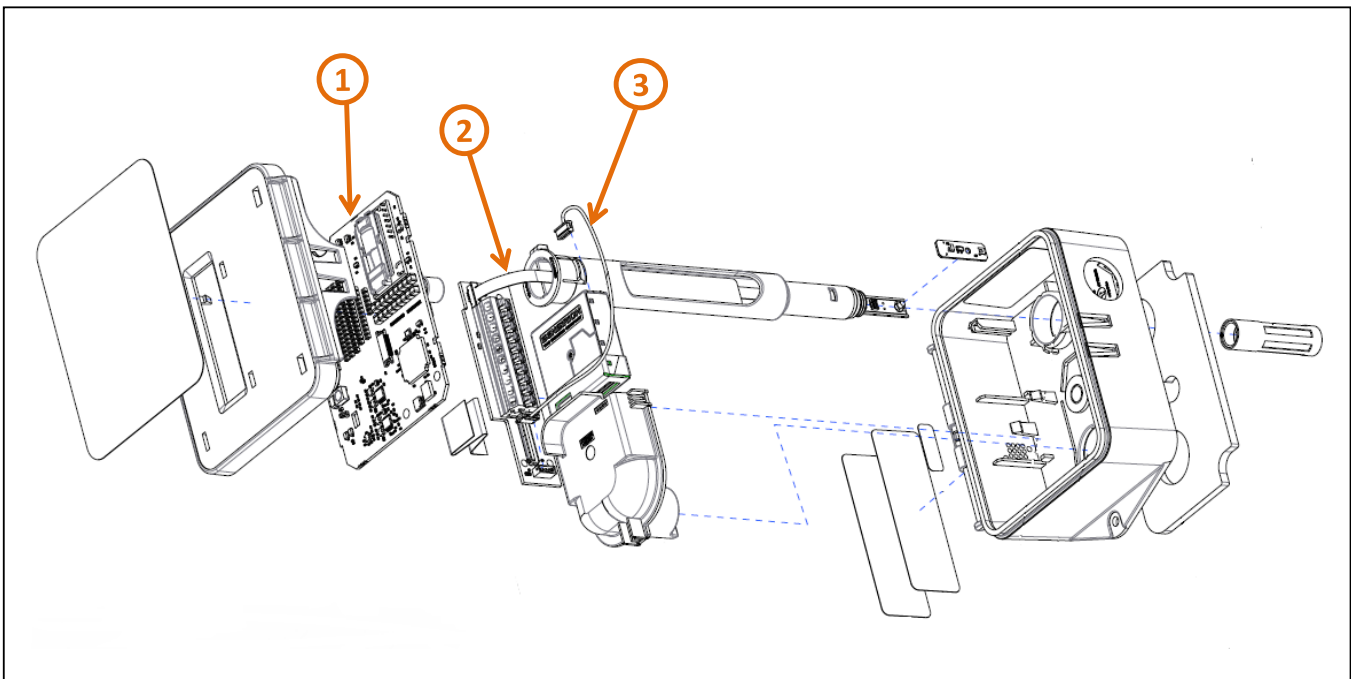
Failure to follow these instructions will result in death or serious injury.

This product has PCB Board electronics components materials which are recommended to be treated separately during the End of Life operations.

There are several steps to process the products at the end of life so as to recover components, materials or energy :

Reuse --> Depollution --> Dismantling --> Shredding

End of Life Instructions



Recommendation	Number on drawing	Component / Material	Weight (in g)	Comment
To be depolluted	1	Electronic Board (Communication) > 10cm ²	118.497	PCBA Board
To be depolluted	2	Cable (high current)	1.689	Cables
To be depolluted	3	Cable (high current)	1.03	Cables



Product description

Manufacturer identification	Schneider Electric Industries SAS
Brand name	Schneider Electric
Product function	The plant room sensor is easy to install air quality sensor measuring temperature, humidity, CO2, VOC and PM on duct installations.
Product reference	CD2XP2AVP
Total representative product mass	330 g
Representative product dimensions	51mm x 133mm x 101mm
Accessories	No
Date of information release	09/2022



Additional information

Legal information	This product family is in the scope of European Union directive 2012/19/EU on Waste Electrical and Electronic Equipment (WEEE). The product family must be disposed according to the legislation of the country. This document is intended for use by end of life recyclers or treatment facilities. It provides the basic information to assure an appropriate end of life treatment for the components and materials of the product.	
Recyclability potential	7%	Based on "ECO'DEEE recyclability and recoverability calculation method" (version V1, 20 Sep. 2008 presented to the French Agency for Environment and Energy Management: ADEME).

Schneider Electric Industries SAS
Country Customer Care Center
<http://www.schneider-electric.com/contact>
35, rue Joseph Monier
CS 30323
F- 92506 Rueil Malmaison Cedex
RCS Nanterre 954 503 439
Capital social 896 313 776 €

www.schneider-electric.com

ENVEOLI2209002_V1

Published by Schneider Electric

© 2019 - Schneider Electric – All rights reserved

09/2022