

Product End of Life Instructions

Mobile Fault Locator Kit





Potential disassembly risks

⚠ WARNING

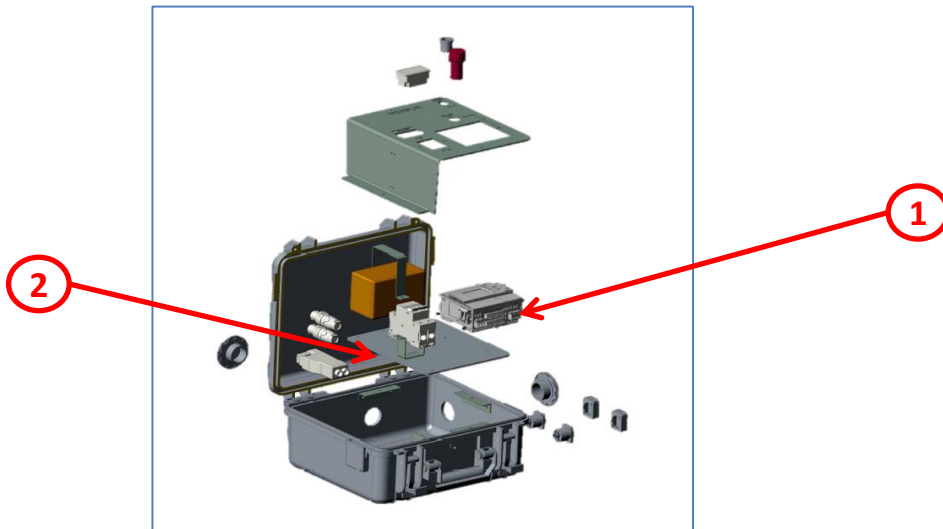
HAZARD OF ARC FLASH OR FIRE

- Disconnect battery terminals before disassembly
- Avoid any electrical connection between the terminals

Failure to follow these instructions can result in death or serious injury.



End of Life Instructions



Recommendation	Number on drawing	Component / Material	Weight (in g)	Comment
To be depolluted	1	Electronic Board (Communication) > 10cm ²	89.01	Including all soldering parts
To be depolluted	2	Electronic Board (Communication) > 10cm ²	57.35	Including all soldering parts



Product description

Manufacturer identification	Schneider Electric Industries SAS
Brand name	Schneider Electric
Product function	IMDMFLK1 is a Single Channel Mobile Fault Locator with inbuilt battery. Use with IM400, IM400L, IM400C (not compatible with photovoltaic system), or XGR insulation monitoring device series.
Product reference	IMDMFLK1
Total representative product mass	7000 g
Representative product dimensions	160mm x 340mm x 315mm
Accessories	No
Date of information release	09/2025



Additional information

Legal information	This product family is in the scope of European Union directive 2012/19/EU on Waste Electrical and Electronic Equipment (WEEE). The product family must be disposed according to the legislation of the country. This document is intended for use by end of life recyclers or treatment facilities. It provides the basic information to assure an appropriate end of life treatment for the components and materials of the product.
In case of special transportation: transportation method	No
Recyclability potential	3% The recyclability rate was calculated from the recycling rates of each material making up the product based on REEECY'LAB tool developed by Ecosystem, for components/materials not covered by the tool, data from the EIME database and the related PSR was taken. If no data was found a conservative assumption was used (0% recyclability).

Schneider Electric Industries SAS

Country Customer Care Center
<http://www.se.com/contact>

35, rue Joseph Monier
 CS 30323
 F- 92500 Rueil Malmaison Cedex
 RCS Nanterre 954 503 439
 Capital social 928 298 512 €

www.se.com

ENVEOLI2208001_V2

Published by Schneider Electric

© 2023 - Schneider Electric – All rights reserved

09/2025