

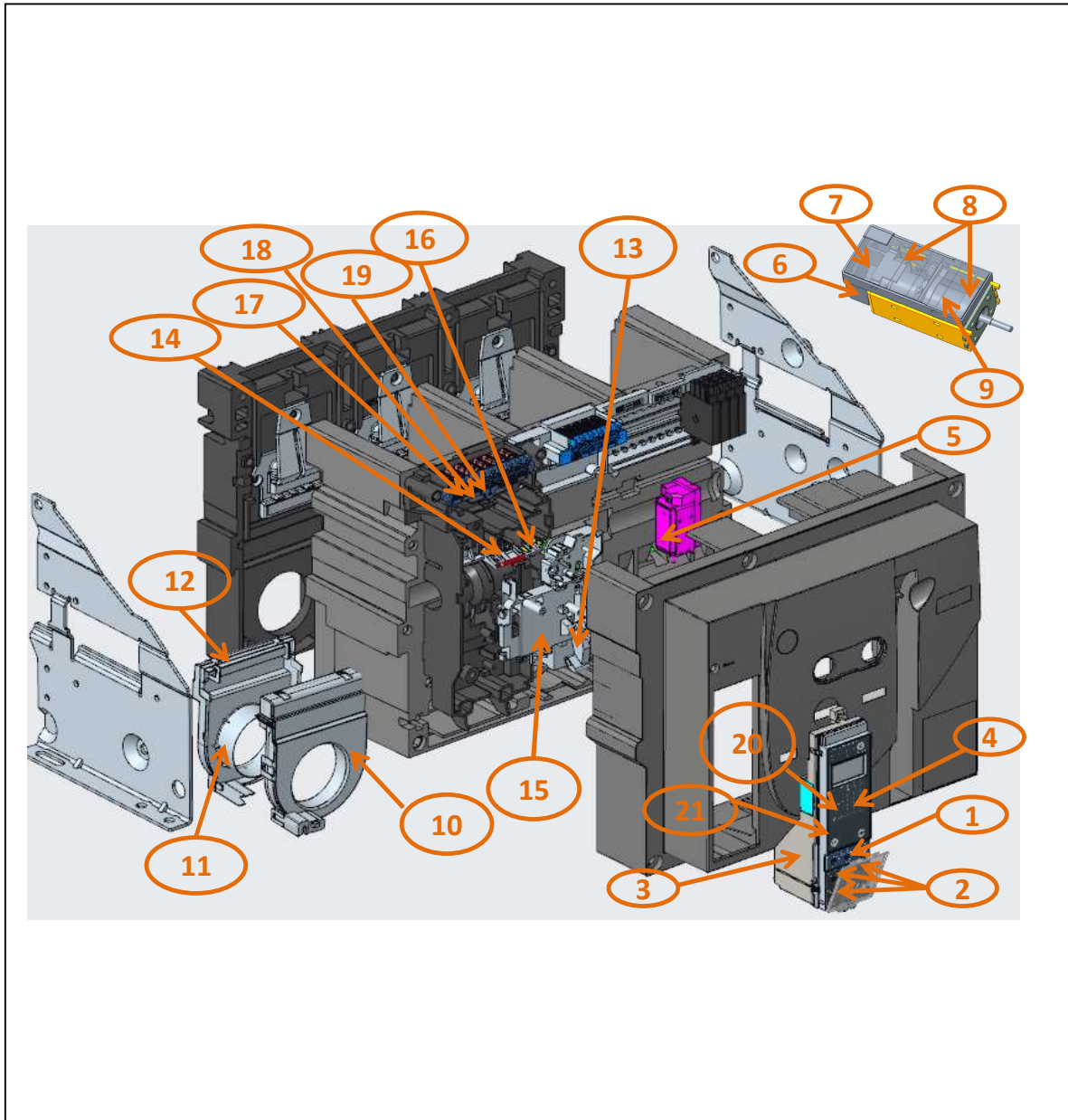
Product End of Life Instructions

EasyPact MVS CB drawout electrical circuit breaker, 3P

EasyPact MVS



 **End of Life Instructions**



| Recommendation | Number on drawing | Component / Material | Weight (in g) | Comment |
|------------------|-------------------|--|---------------|---------|
| To be depolluted | 1--16 | plastic parts with brominated flame retardants | 498.4 | |
| To be depolluted | 17, 18, 19, 20 | Electronic Board (Communication) > 10cm ² | 90.2 | |
| To be depolluted | 21 | battery | 9.6 | |

Product description

| | |
|---------------------------------------|---|
| Manufacturer identification | Schneider Electric Industries SAS |
| Brand name | Schneider Electric |
| Product function | The EasyPact MVS Air Circuit Breaker is designed to guarantee the protection of electrical distribution systems |
| Product reference | MVS16N3NW6A |
| Additional similar product references | EasyPact MVS 600A-3200A Air Circuit Breaker |
| Total representative product mass | 30000 g |
| Representative product dimensions | 439mm x 441mm x 395mm |
| Accessories | No |
| Date of information release | 2024/01/30 |

Additional information

| | | |
|--|--|--|
| Legal information | This product family is in the scope of European Union directive 2012/19/EU on Waste Electrical and Electronic Equipment (WEEE). The product family must be disposed according to the legislation of the country. This document is intended for use by end of life recyclers or treatment facilities. It provides the basic information to assure an appropriate end of life treatment for the components and materials of the product. | |
| In case of special transportation: transportation method | No | |
| Recyclability potential | 66% | Recyclability rate has been calculated based on REEECY'LAB tool developed by Ecosystem, for components/materials not covered by the tool, data from the "ECO' DEEE recyclability and recoverability calculation method" was taken. If no data was found a conservative assumption was used (0% recyclability). |

Schneider Electric Industries SAS
Country Customer Care Center
<http://www.schneider-electric.com/contact>
35, rue Joseph Monier
CS 30323
F- 92500 Rueil Malmaison Cedex
RCS Nanterre 954 503 439
Capital social 896 313 776 €

www.se.com

ENVEOLI2206022_V2

Published by Schneider Electric

© 2023 - Schneider Electric – All rights reserved

2024/01/30