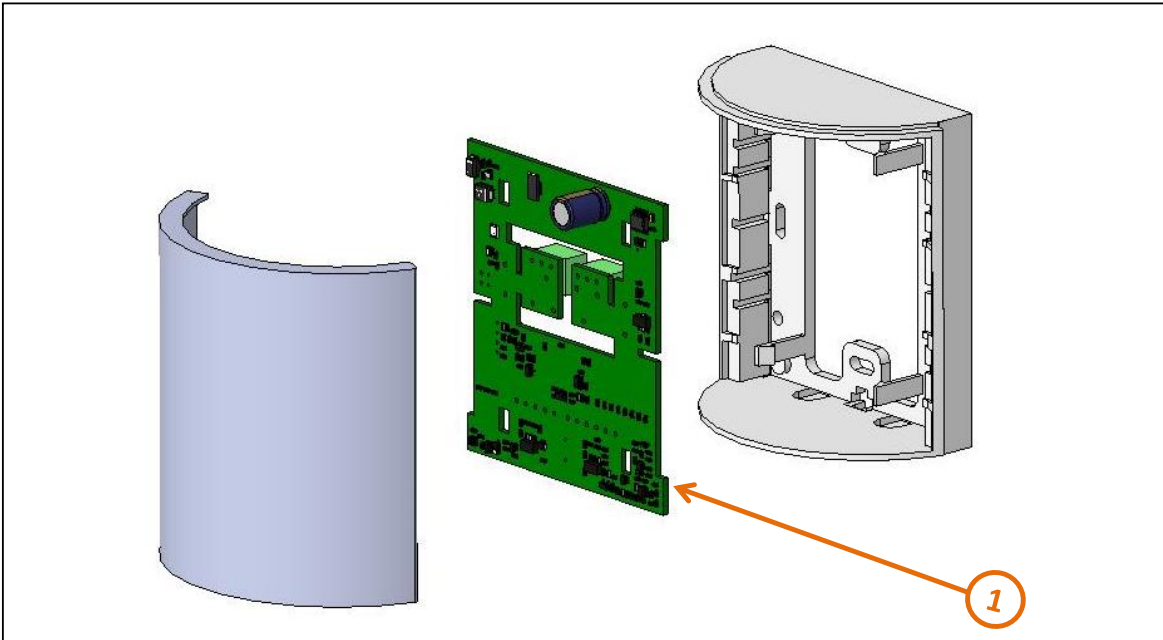


Product End of Life Instructions

SIGMA CARE ROOM SIGNAL LAMP



End of Life Instructions



Recommendation	Number on drawing	Component / Material	Weight (in g)	Comment
To be depolluted	1	Electronic Board (Communication) > 10cm ²	54.5	PCBA unit

Product description

Manufacturer identification	Schneider Electric Industries SAS
Brand name	Schneider Electric
Product function	The main function of Sigma care Room Module is for simple call system for equipping publicly accessible disabled WCs such as in public buildings, doctor's surgeries, department stores. The integration into a system bus is a Construction of small systems from up to 10 room modules and central display units. When used as a group signal light the device serves as a collective display of calls from the room modules connected to the system bus.
Product reference	ELG745010
Total representative product mass	120 g
Representative product dimensions	85mm x 85mm x 45mm
Accessories	No Accessories
Date of information release	04/2022



Additional information

Legal information	This product family is in the scope of European Union directive 2012/19/EU on Waste Electrical and Electronic Equipment (WEEE). The product family must be disposed according to the legislation of the country. This document is intended for use by end of life recyclers or treatment facilities. It provides the basic information to assure an appropriate end of life treatment for the components and materials of the product.	
In case of special transportation: transportation method	No	
Recyclability potential	29%	Based on "ECO'DEEE recyclability and recoverability calculation method" (version V1, 20 Sep. 2008 presented to the French Agency for Environment and Energy Management: ADEME).

Schneider Electric Industries SAS
Country Customer Care Center
<http://www.schneider-electric.com/contact>
35, rue Joseph Monier
CS 30323
F- 92506 Rueil Malmaison Cedex
RCS Nanterre 954 503 439
Capital social 896 313 776 €

www.schneider-electric.com

ENVEOLI2202027_V1

Published by Schneider Electric

© 2019 - Schneider Electric – All rights reserved

04/2022