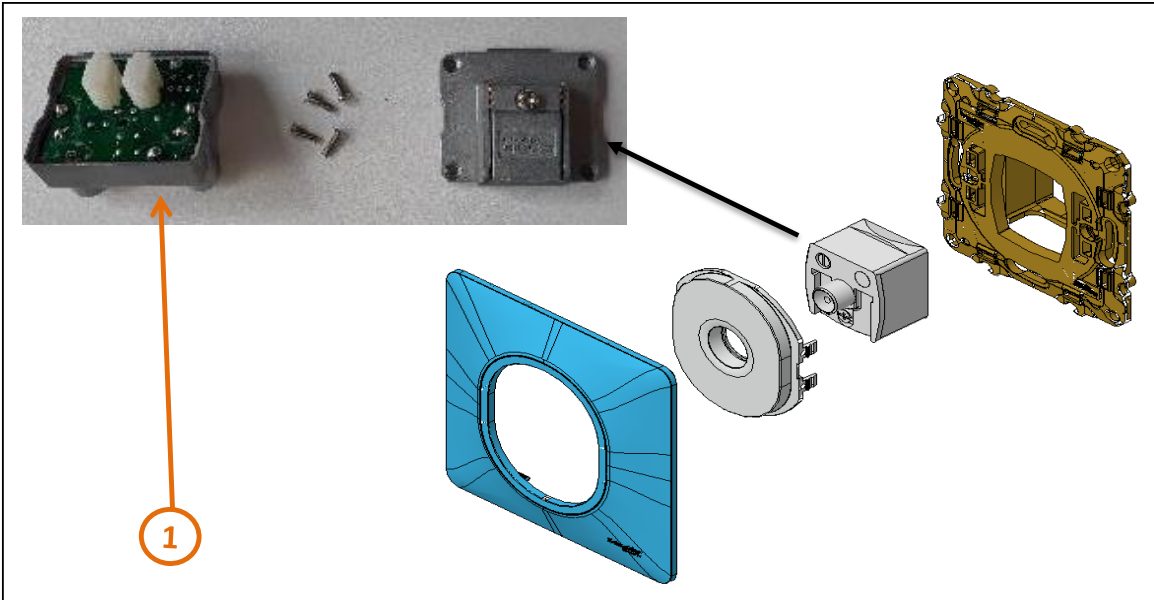


Product End of Life Instructions

OVALIS TV SOCKET with OUTER PLATE



End of Life Instructions



Recommendation	Number on drawing	Component / Material	Weight (in g)	Comment
To be depolluted	1	Electronic Board (Communication) > 10cm ²	4.6 g	PCBA of TV Insert

Product description

Manufacturer identification	Schneider Electric Industries SAS
Brand name	Schneider Electric
Product function	The main function of the product is to transmit the television frequencies coming from the cable to the connected plug.
Product reference	S325405
Total representative product mass	102 g
Representative product dimensions	75mm x 75mm x 38mm
Accessories	No Accessories
Date of information release	06/2022

Additional information

Legal information	This product family is in the scope of European Union directive 2012/19/EU on Waste Electrical and Electronic Equipment (WEEE). The product family must be disposed according to the legislation of the country. This document is intended for use by end of life recyclers or treatment facilities. It provides the basic information to assure an appropriate end of life treatment for the components and materials of the product.	
In case of special transportation: transportation method	No	
Recyclability potential	52%	Based on "ECO'DEEE recyclability and recoverability calculation method" (version V1, 20 Sep. 2008 presented to the French Agency for Environment and Energy Management: ADEME).

*Schneider Electric Industries SAS
Country Customer Care Center
<http://www.schneider-electric.com/contact>
35, rue Joseph Monier
CS 30323
F- 92506 Rueil Malmaison Cedex
RCS Nanterre 954 503 439
Capital social 896 313 776 €*

www.schneider-electric.com

ENVEOLI2202019_V1

Published by Schneider Electric

© 2019 - Schneider Electric – All rights reserved

06/2022